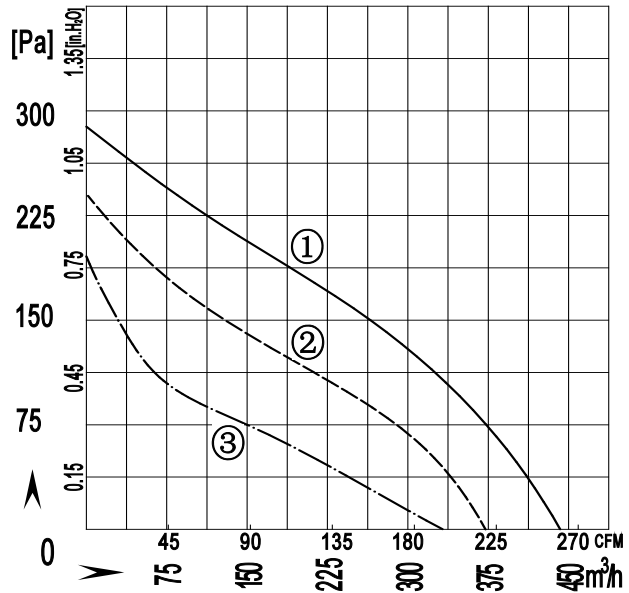
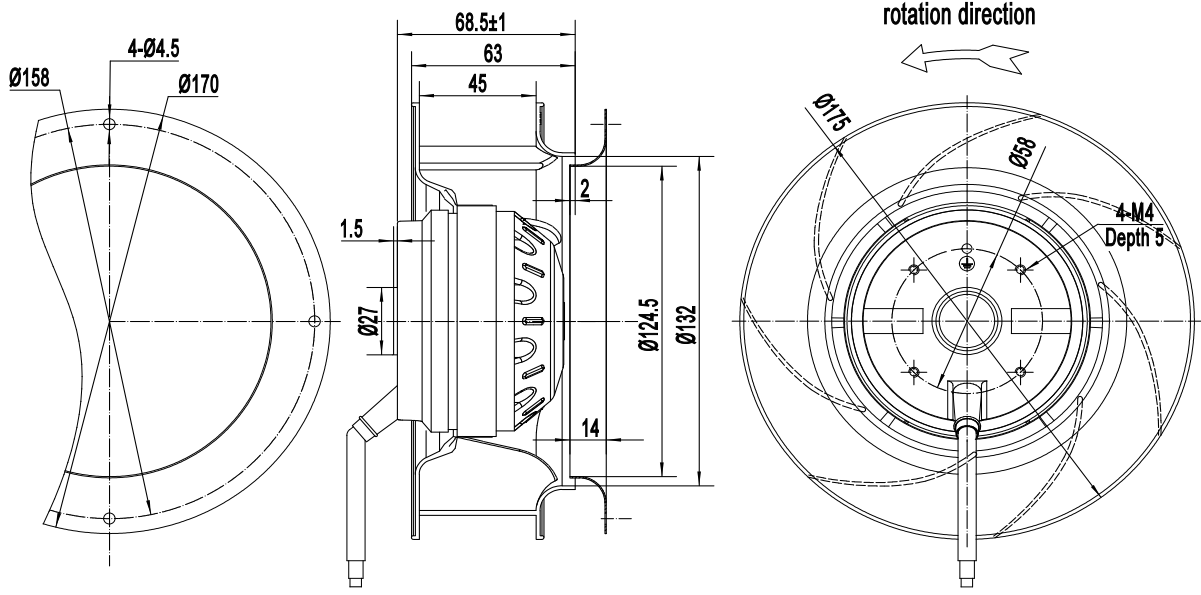


# B175-63-T 后倾离心风机 B175-63-T Backward Centrifugal Fan



风轮材质: 塑料PA66 Impeller material: Plastic PA66  
 防护等级: IP44 Protection Class: IP44  
 认证: CCC CE Approvals: CCC CE  
 绝缘等级: F级 Insulation class: F

Type	Voltage	Frequency	Current	Input Power	Speed	Capacitor	Air Flow	Noise	Temperature	Curve No.	Approvals
Type	V	Hz	A	W	rpm	μF	m <sup>3</sup> /h / CFM	dB(A)	Min / Max(°C)	#	
B2E175-063A-TA00	220/230	50	0.25	52	2530	1.5	430 / 253	64	-30 / +60	①	CCC ,CE,RoHS
			0.20	45	2150	1.5	365 / 215	60	-30 / +60	②	CCC ,CE,RoHS
			0.18	42	1850	1.5	315 / 185	55	-30 / +60	③	CCC ,CE,RoHS



离心风机  
Centrifugal Fans