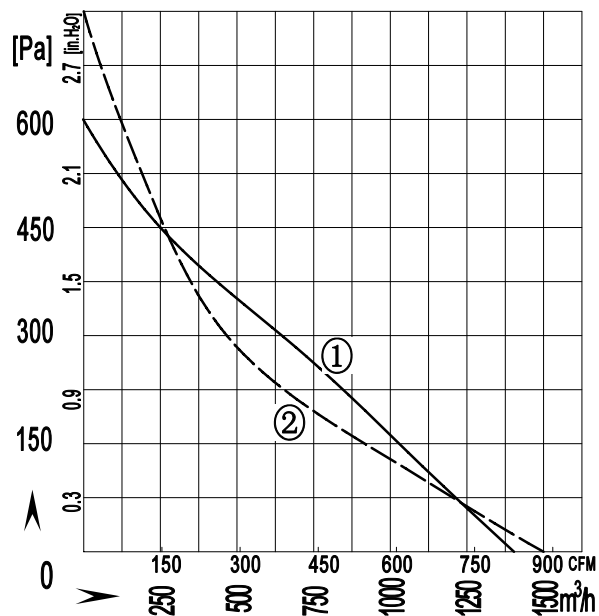


B250-080 后倾离心风机

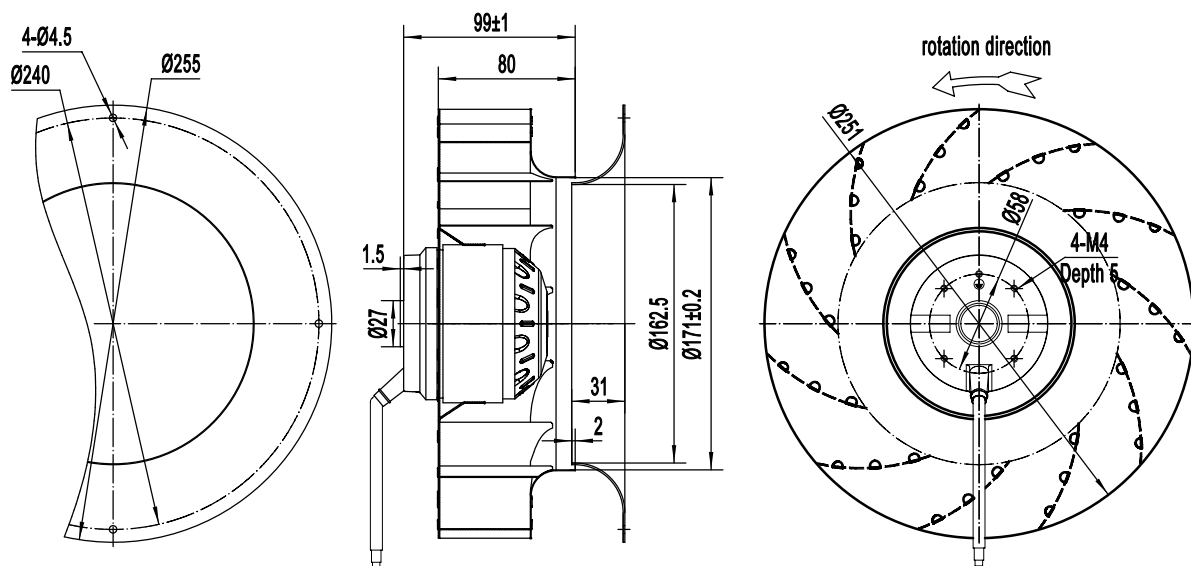
B250-080 Backward Centrifugal Fan



风轮材质: 镀锌板材 material: Galvanised sheet steel
 防护等级: IP44 Protection Class: IP44
 认证: CCC CE Approvals: CCC CE
 绝缘等级: F级 Insulation class: F



Type	Voltage	Frequency	Current	Input Power	Speed	Capacitor	Air Flow	Noise	Temperature	Curve No.	Approvals
Type	V	Hz	A	W	rpm	μ F	m³/h / CFM	dB(A)	Min / Max(°C)	#	
B2E250-080A-AE00	220/230	50	0.70	155	2500	4	1380 / 811	70	-30 / +60	①	CCC ,CE,RoHS
	220/230	60	0.95	210	2600	4	1455 / 855	72	-30 / +60	②	CCC ,CE,RoHS
B2D250-080A-AEC0	380/400	50	0.31	150	2450	/	1380 / 811	70	-30 / +60	①	CCC ,CE,RoHS
	380/400	60	0.37	200	2550	/	1455 / 855	72	-30 / +60	②	CCC ,CE,RoHS



离心风机
Centrifugal Fans