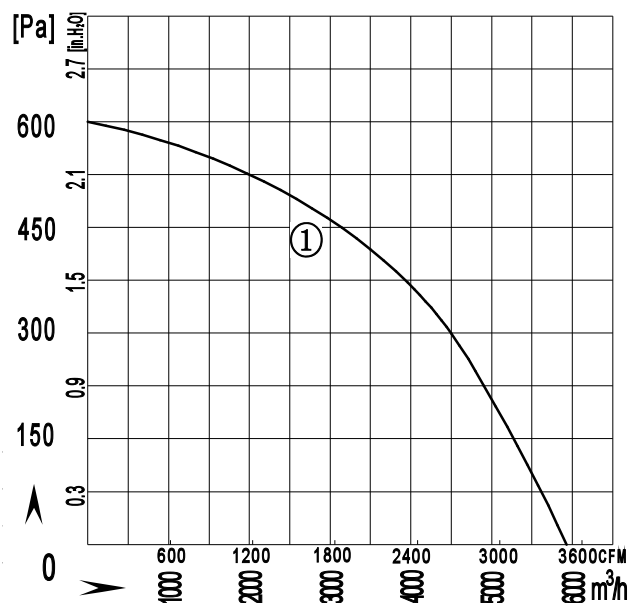


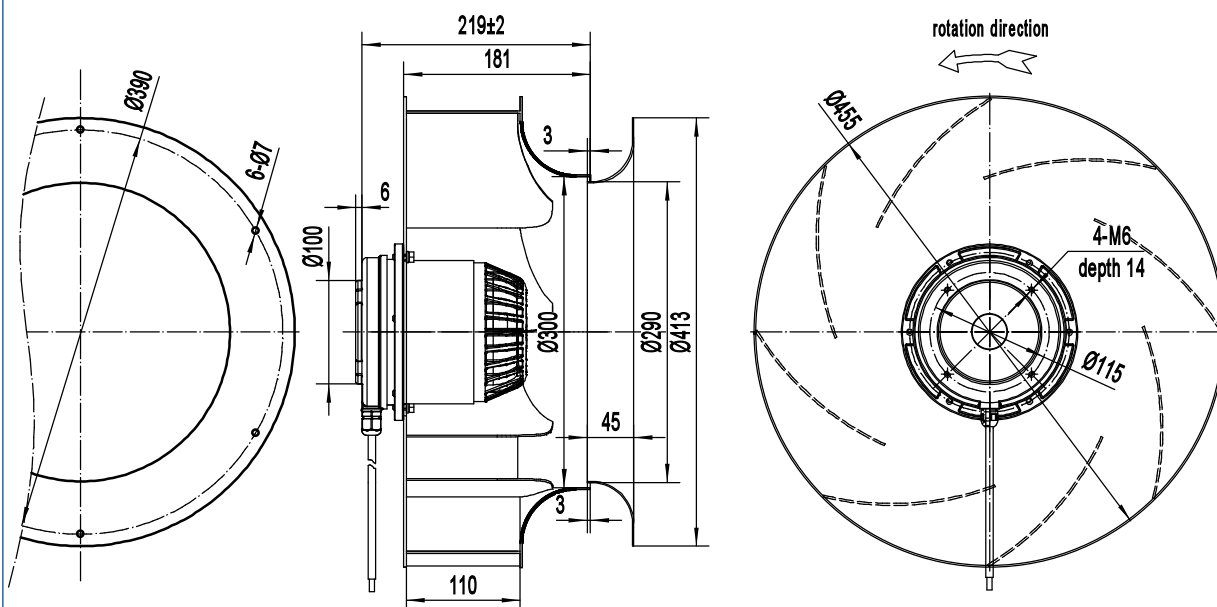
B450-181 后倾离心风机 B450-181 Backward Centrifugal Fan



风轮材质: 铝合金板材 material: Sheet aluminium
 防护等级: IP54 Protection Class: IP54
 认证: CCC CE Approvals: CCC CE
 绝缘等级: F级 Insulation class: F



Type	Voltage	Frequency	Current	Input Power	Speed	Capacitor	Air Flow	Noise	Temperature	Curve No.	Approvals
	V	Hz	A	W	rpm	μ F	m³/h / CFM	dB(A)	Min / Max(°C)	#	
B4D450-181A-AT00	380/400	50	1.5	800	1350	/	5900/3700	76	-30 / +60	①	CCC ,CE,RoHS



离心风机
Centrifugal Fans