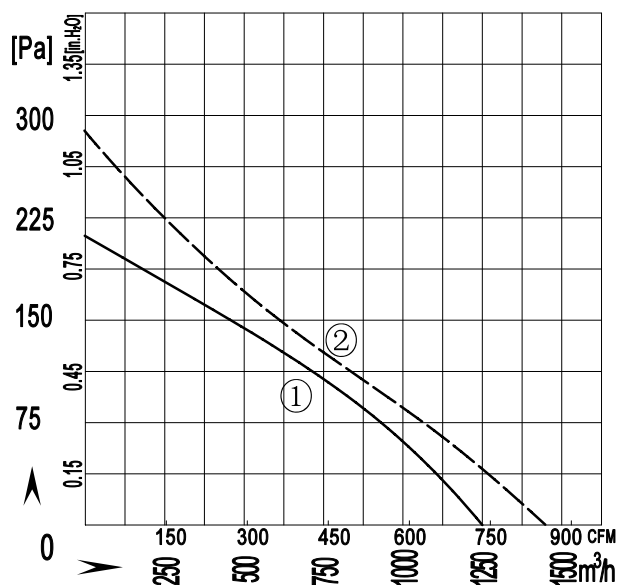


B280-110 后倾离心风机

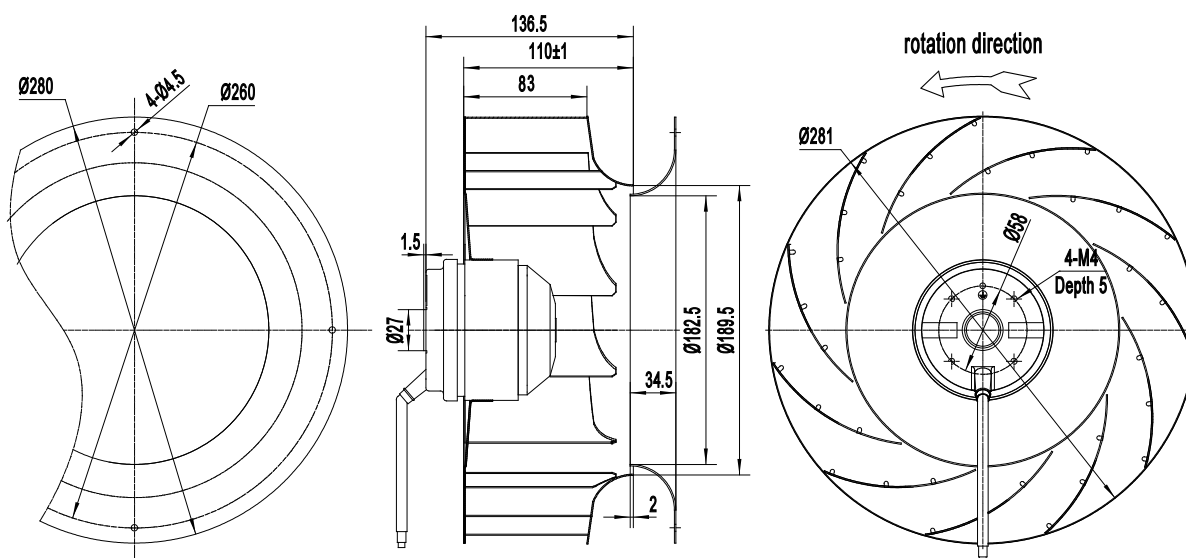
B280-110 Backward Centrifugal Fan



风轮材质: 镀锌板材 material: Galvanised sheet steel
 防护等级: IP44 Protection Class: IP44
 认证: CCC CE Approvals: CCC CE
 绝缘等级: F级 Insulation class: F



Type	Voltage	Frequency	Current	Input Power	Speed	Capacitor	Air Flow	Noise	Temperature	Curve No.	Approvals
	V	Hz	A	W	rpm	μF	m³/h / CFM	dB(A)	Min / Max (°C)	#	
B4E280-110A-AECO	220/230	50	0.38	80	1350	3	1230 / 723	63	-30 / +60	①	CCC ,CE,RoHS
	220/230	60	0.45	100	1500	3	1400 / 823	66	-30 / +60	②	CCC ,CE,RoHS



离心风机
Centrifugal Fans