

EC (AC TO DC) FAN

120*120*25mm

RT12025 Series



外框材质:环保防火PBT
 Frame:Thermoplastic PBT UL94-V0
 扇叶材质:环保防火PBT
 Impeller:Thermoplastic PBT UL94-V0
 轴承结构:双滚珠或长寿命含油结构
 Bearing system:2Ball or Long life sleeve
 单体风扇重量:125g
 Unit Weight:125g

可选的功能参照列表 (Available Functions)

1. 马达保护(Motor protection)

RP	SS	AS	CL
○	●	●	●

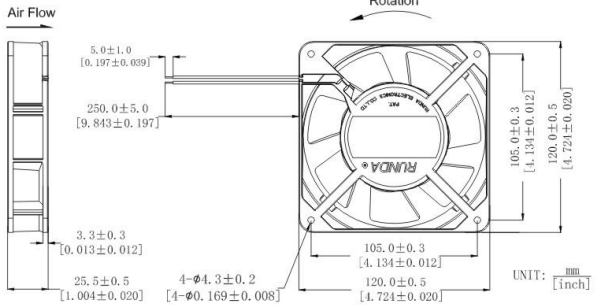
2. 信号输出(Signal output)

FG	RD	RD	LD
●	●	●	●

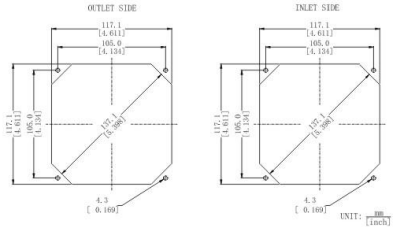
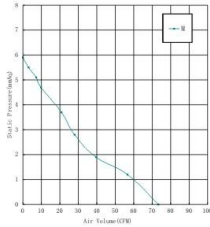
3. 调速方式(Speed control mode)

PWM	TP	VC	RC	CS
●	●	●	●	●

DIMENSIONS DRAWING



Fan Performance Curve



Part Number	Voltage(V)	Fre. (HZ)	Power(W)	Speed(RPM)	Air flow(Q)	Pressure(P)	Noise(dBA)	
产品编号	电压范围	频率范围	功率	转速	(CFM) 风量	m ³ /min	Mmaq)风压 (In H ₂ O)	噪音
RT1225B11M	110(80~120)	45~65	4.2	2800	73.30	2.07	5.90 0.23	43.2
RT1225B22M	220(120~240)	45~65	4.2	2800	73.30	2.07	5.90 0.23	43.2

- ★ 如果您需要的转速或电压或功能不在这份清单上, 请与我们联系。
If you want another rpm or voltage or functions which one is not in the list, please contact with our sales.
- ★ 提示1:功能的具体信息参照产品目录前页篇章。
Notes1:The catalog have detail information in the front page for the functions.
- ★ 提示2:产品详细信息请参照承认书。
Notes2:Product have a detail in the approval sheet.
- ★ 提示3:产品规格变更不另行通知。
Notes3:Specifications are subject to change without notice.
- ★ 提示4:该款机型可制作相同转速的, 可在AC110V和AC220V双电压下使用。
Note4:This model can be made in the same speed and used in AC110V, AC220V both.