

EC (AC TO DC) FAN

254*89mm

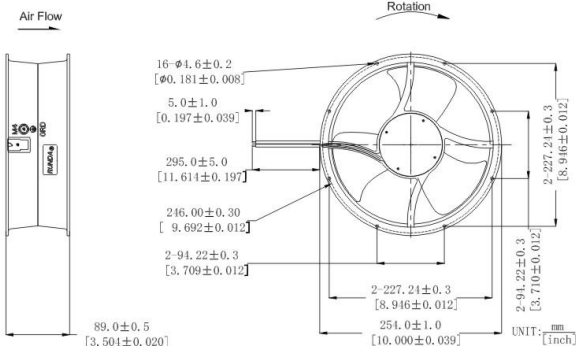
RT25489 Series



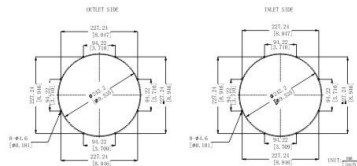
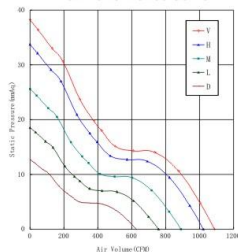
DIMENSIONS DRAWING



外框材质: 铝合金
Frame: Aluminum
扇叶材质: 环保防火PBT
Impeller: Thermoplastic PBT UL94-V0
轴承结构: 双滚珠
Bearing system: 2Ball
单体风扇重量: 2410g
Unit Weight: 2410g



Fan Performance Curve



可选的功能参照列表 (Available Functions)

1. 马达保护 (Motor protection)

OP	SS	AS	CL
<input type="checkbox"/>	<input type="checkbox"/>	<input type="checkbox"/>	<input type="checkbox"/>

2. 信号输出 (Signal output)

FG	RD	RD	LD
<input type="checkbox"/>	<input type="checkbox"/>	<input type="checkbox"/>	<input type="checkbox"/>

3. 调速方式 (Speed control mode)

PWM	TP	VC	RC	CS
<input type="checkbox"/>	<input type="checkbox"/>	<input type="checkbox"/>	<input type="checkbox"/>	<input type="checkbox"/>

Part Number	Voltage(V)	Fre.(HZ)	Power(W)	Speed(RPM)	Air flow(Q)	Pressure(P)	Noise(dBA)		
产品编号	电压范围	频率范围	功率	转速	(CFM) 风量	m ³ /min	(Mmq)风压	(In H.O) 噪音	
RT25489x11D	110(80~130)	45~65	28	1800	626.26	17.72	12.65	57.0	
RT25489x11L		45~65	39	2200	758.11	21.45	18.54	61.2	
RT25489x11M		45~65	68	2600	899.96	25.46	25.55	1.01	65.8
RT25489x11H		45~65	110	3000	1021.81	28.91	33.69	1.33	69.0
RT25489x22VH	220(150~230)	45~65	122	3200	1088.73	30.80	38.26	1.51	70.6
RT25489x22D		45~65	28	1800	626.26	17.72	12.65	0.50	57.0
RT25489x22L		45~65	39	2200	758.11	21.45	18.54	0.73	61.2
RT25489x22M		45~65	68	2600	899.96	25.46	25.55	1.01	65.8
RT25489x22H		45~65	110	3000	1021.81	28.91	33.69	1.33	69.0
RT25489x22VH		45~65	122	3200	1088.73	30.80	38.26	1.51	70.6

★ 如果您需要的转速或电压或功能不在这份清单上, 请与我们联系。
If you want another rpm or voltage or functions which one is not in the list, please contact with our sales.

★ 提示1: 功能的具体信息参照产品目录前页篇章。
Notes1: The catalog have detail information in the front page for the functions.

★ 提示2: 产品详细信息请参照承认书。
Notes2: Product have a detail in the approval sheet.

★ 提示3: 产品规格变更不另行通知。
Notes3: Specifications are subject to change without notice.

★ 提示4: 该款机型可制作相同转速的, 可在AC110V和AC220V双电压下使用。
Note4: This model can be made in the same speed and used in AC110V, AC220V both.