

110*110*25mm

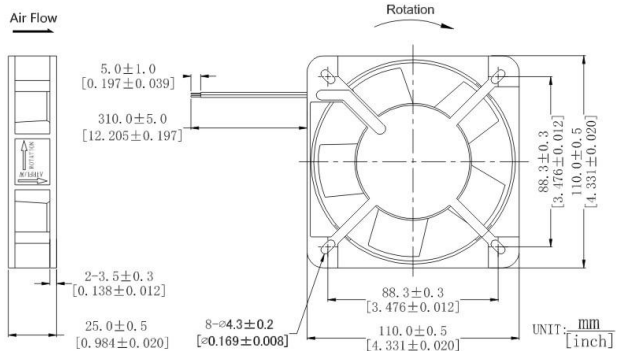
AC11025 Series



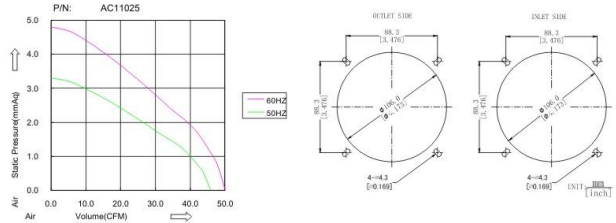
DIMENSIONS DRAWING



外框材质:铝合金
 Frame:Aluminum
 扇叶材质:环保防火PBT
 Imperller:Thermoplastic PBT UL94-V0
 轴承结构:双滚珠或长寿命含油结构
 Bearing system:2Ball or Long life sleeve
 单体风扇重量:270g
 Unit Weight:270g



P&Q CURVE (AT RATED VOLTAGE)



Part Number	Voltage(V)	Frequency (HZ)	Power (W)	Current (Amp)	Speed (RPM)	Air flow(Q)	Pressure(P)	Noise(dBA)		
产品编号	电压	频率	功率	电流	转速	(CFM) 风量	m ³ /min	(mmAq) 风压 (In H ₂ O)	噪音	
AC11025S110H	AC 110/120	50/60	18/17	0.20/0.18	2200/2500	46/50	1.3/1.4	3.0/4.6	0.12/0.18	36/38
AC11025B110H		50/60	18/17	0.20/0.18	2200/2500	46/50	1.3/1.4	3.3/4.8	0.13/0.19	36/38
AC11025S220H	AC 220/240	50/60	18/17	0.10/0.09	2200/2500	46/50	1.3/1.4	3.0/4.6	0.12/0.18	36/38
AC11025B220H		50/60	18/17	0.10/0.09	2200/2500	46/50	1.3/1.4	3.3/4.8	0.13/0.19	36/38

- ★ 如果您需要的转速或电压或功能不在这份清单上, 请与我们业务联系。
 If you want another rpm or voltage or functions which one is not in the list, please contact with our sales.
- ★ 提示1: 功能的具体信息参照产品目录前页篇章。
 Notes1: The catalog have detail information in the front page for the functions.
- ★ 提示2: 产品详细信息请参照承诺书。
 Notes2: Product have a detail in the approval sheet.
- ★ 提示3: 产品规格变更不另行通知。
 Notes3: Specifications are subject to change without notice.