

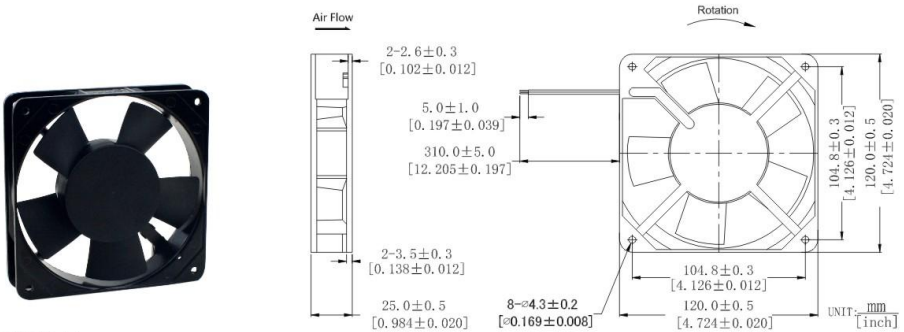
# STANDARD AC AXIAL FAN

## 120\*120\*25mm

### AC12025 Series

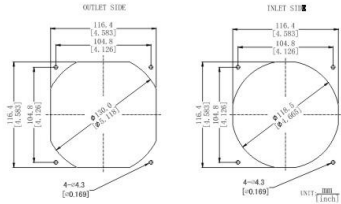
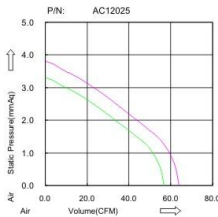


#### DIMENSIONS DRAWING



外框材质:铝合金  
 Frame:Aluminum  
 扇叶材质:环保防火PBT  
 Impeller:Thermoplastic PBT UL94-V0  
 轴承结构:双滚珠或长寿命含油结构  
 Bearing system:2Ball or Long life sleeve  
 单体风扇重量:280g  
 Unit Weight:280g

#### P&Q CURVE (AT RATED VOLTAGE)



Part Number	Voltage(V)	Frequency (HZ)	Power (W)	Current (Amp)	Speed (RPM)	Air flow(Q)	Pressure(P)	Noise(dBA)		
产品编号	电压	频率	功率	电流	转速	(CFM) 风量	m <sup>3</sup> /min	(mmAq)风压 (In H.O)	噪音	
AC12025S110H	AC 110/120	50/60	18/16	0.20/0.18	2200/2500	57/64	1.6/1.8	3.3/3.8	0.13/0.15	40/45
AC12025B110H		50/60	18/16	0.20/0.18	2200/2500	57/64	1.6/1.8	3.3/3.8	0.13/0.15	40/45
AC12025S220H	AC 220/240	50/60	18/16	0.10/0.09	2200/2500	57/64	1.6/1.8	3.3/3.8	0.13/0.15	40/45
AC12025B220H		50/60	18/16	0.10/0.09	2200/2500	57/64	1.6/1.8	3.3/3.8	0.13/0.15	40/45

★ 如果您需要的转速或电压或功能不在这份清单上, 请与我们的业务联系。  
 If you want another rpm or voltage or functions which one is not in the list, please contact with our sales.

★ 提示1:功能的具体信息参照产品目录前页篇章。  
 Notes1:The catalog have detail information in the front page for the functions.

★ 提示2:产品详细信息请参照承认书。  
 Notes2:Product have a detail in the approval sheet.

★ 提示3:产品规格变更不另行通知。  
 Notes3:Specifications are subject to change without notice.