

120*120*38mm

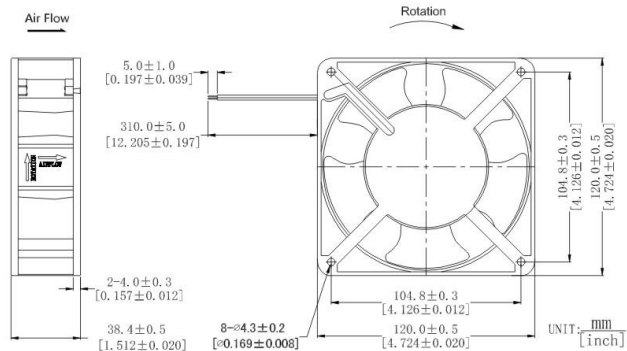
AC12038 Series



节能的高性价比 Energy-save and Cost Effective

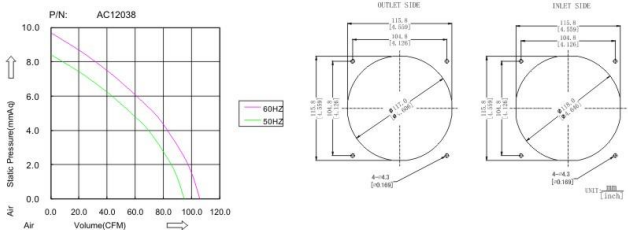


DIMENSIONS DRAWING



外框材质: 铝合金
 Frame: Aluminum
 扇叶材质: 环保防火PBT
 Impeller: Thermoplastic PBT UL94-V0
 轴承结构: 双滚珠或长寿命含油结构
 Bearing system: 2Ball or Long life sleeve
 单体风扇重量: 500g
 Unit Weight: 500g

P&Q CURVE (AT RATED VOLTAGE)



Part Number	Voltage(V)	Frequency (HZ)	Power (W)	Current (Amp)	Speed (RPM)	Air flow(Q)	Pressure(P)	Noise(dBA)		
产品编号	电压	频率	功率	电流	转速	(CFM) 风量	(mmAq)风压 (In H ₂ O)	噪音		
AC12038S110H	AC 110/120	50/60	20/19	0.26/0.24	2500/2700	84/95	2.4/2.7	8.4/9.7	0.33/0.38	44/49
AC12038B110H		50/60	20/19	0.26/0.24	2500/2700	84/95	2.4/2.7	8.4/9.7	0.33/0.38	44/49
AC12038S220H	AC 220/240	50/60	20/19	0.13/0.12	2500/2700	84/95	2.4/2.7	8.4/9.7	0.33/0.38	44/49
AC12038B220H		50/60	20/19	0.13/0.12	2500/2700	84/95	2.4/2.7	8.4/9.7	0.33/0.38	44/49
AC12038S380H	AC 380	50/60	20/19	0.08/0.07	2500/2700	84/95	2.4/2.7	8.4/9.7	0.33/0.38	44/49
AC12038B380H		50/60	20/19	0.08/0.07	2500/2700	84/95	2.4/2.7	8.4/9.7	0.33/0.38	44/49

★ 如果您需要的转速或电压或功能不在这份清单上, 请与我们联系。
 If you want another rpm or voltage or functions which one is not in the list, please contact with our sales.

★ 提示1: 功能的具体信息参照产品目录前页篇章。
 Notes1: The catalog have detail information in the front page for the functions.

★ 提示2: 产品详细信息请参照承认书。
 Notes2: Product have a detail in the approval sheet.

★ 提示3: 产品规格变更不另行通知。
 Notes3: Specifications are subject to change without notice.