

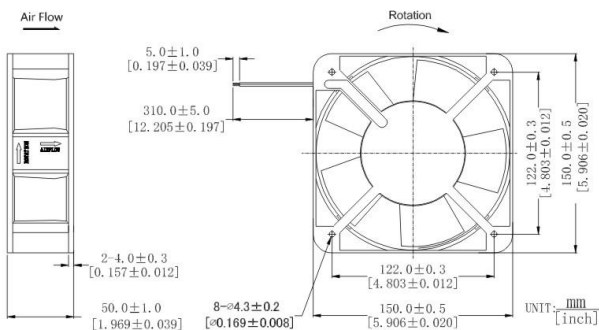
STANDARD AC AXIAL FAN

150*150*51mm

AC15051 Series

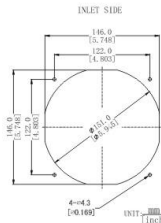
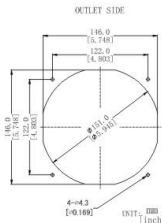
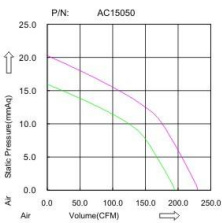


DIMENSIONS DRAWING



外框材质:铝合金
Frame:Aluminum
扇叶材质:环保防火PBT
Impeller:Thermoplastic PBT UL94-V0
轴承结构:双滚珠或长寿命含油结构
Bearing system:2Ball or Long life sleeve
单体风扇重量:900g
Unit Weight:900g

P&Q CURVE (AT RATED VOLTAGE)



Part Number	Voltage(V)	Frequency (HZ)	Power (W)	Current (Amp)	Speed (RPM)	Air flow(Q)		Pressure(P)		Noise(dBA)
产品编号	电压	频率	功率	电流	转速	(CFM) 风量	m ³ /min	(mmAq)风压	(In H ₂ O)	噪音
AC15050S110H	AC 110/120	50/60	34/32	0.50/0.45	2400/2600	195/230	5.5/6.5	16.0/20.3	0.63/0.80	50/55
AC15050B110H		50/60	34/32	0.50/0.45	2400/2600	195/230	5.5/6.5	16.0/20.3	0.63/0.80	50/55
AC15050S220H	AC 220/240	50/60	34/32	0.23/0.21	2400/2600	195/230	5.5/6.5	16.0/20.3	0.63/0.80	50/55
AC15050B220H		50/60	34/32	0.23/0.21	2400/2600	195/230	5.5/6.5	16.0/20.3	0.63/0.80	50/55
AC15050S380H	AC 380	50/60	36/34	0.15/0.14	2400/2600	195/230	5.5/6.5	16.0/20.3	0.63/0.80	50/55
AC15050B380H		50/60	36/34	0.15/0.14	2400/2600	195/230	5.5/6.5	16.0/20.3	0.63/0.80	50/55

- ★ 如果您需要的转速或电压或功能不在这份清单上，请与我们联系。
If you want another rpm or voltage or functions which one is not in the list, please contact with our sales.
- ★ 提示1:功能的具体信息参照产品目录前页篇章。
Notes1:The catalog have detail information in the front page for the functions.
- ★ 提示2:产品详细信息请参照承认书。
Notes2:Product have a detail in the approval sheet.
- ★ 提示3:产品规格变更不另行通知。
Notes3:Specifications are subject to change without notice.