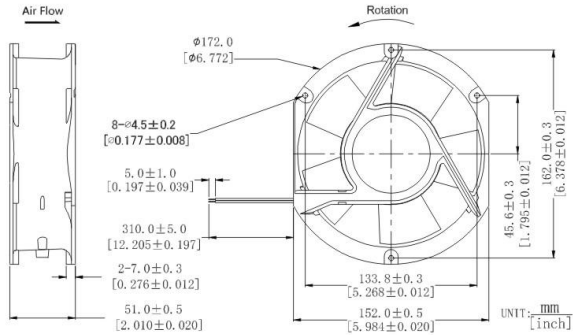


172*150*51mm

AC17251 Series



DIMENSIONS DRAWING



外框材质:铝合金

Frame:Aluminum

扇叶材质:环保防火PBT

Impeller:Thermoplastic PBT UL94-V0

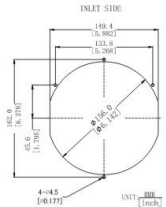
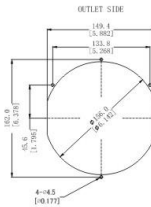
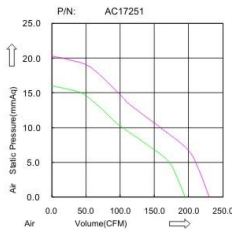
轴承结构:双滚珠或长寿命含油结构

Bearing system:2Ball or Long life sleeve

单体风扇重量:880g

Unit Weight:880g

P&Q CURVE (AT RATED VOLTAGE)



Part Number	Voltage(V)	Frequency (HZ)	Power (W)	Current (Amp)	Speed (RPM)	Air flow(Q)	Pressure(P)	Noise(dBA)		
产品编号	电压	频率	功率	电流	转速	(CFM) 风量	(mmAq) 风压	噪音		
AC17251A110H	AC 110/120	50/60	34/32	0.50/0.45	2400/2600	195/230	5.5/6.5	16.0/20.3	0.63/0.80	50/55
AC17251B110H		50/60	34/32	0.50/0.45	2400/2600	195/230	5.5/6.5	16.0/20.3	0.63/0.80	50/55
AC17251A220H	AC 220/240	50/60	34/32	0.23/0.21	2400/2600	195/230	5.5/6.5	16.0/20.3	0.63/0.80	50/55
AC17251B220H		50/60	34/32	0.23/0.21	2400/2600	195/230	5.5/6.5	16.0/20.3	0.63/0.80	50/55
AC17251A380H	AC 380	50/60	36/34	0.15/0.14	2400/2600	195/230	5.5/6.5	16.0/20.3	0.63/0.80	50/55
AC17251B380H		50/60	36/34	0.15/0.14	2400/2600	195/230	5.5/6.5	16.0/20.3	0.63/0.80	50/55

★ 如果您需要的转速或电压或功能不在这份清单上，请与我们联系。
If you want another rpm or voltage or functions which one is not in the list, please contact with our sales.

★ 提示1:功能的具体信息参照产品目录前页篇章。
Notes 1:The catalog have detail information in the front page for the functions.

★ 提示2:产品详细信息请参照承认书。
Notes2:Product have a detail in the approval sheet.

★ 提示3:产品规格变更不另行通知。
Notes3:Specifications are subject to change without notice.