

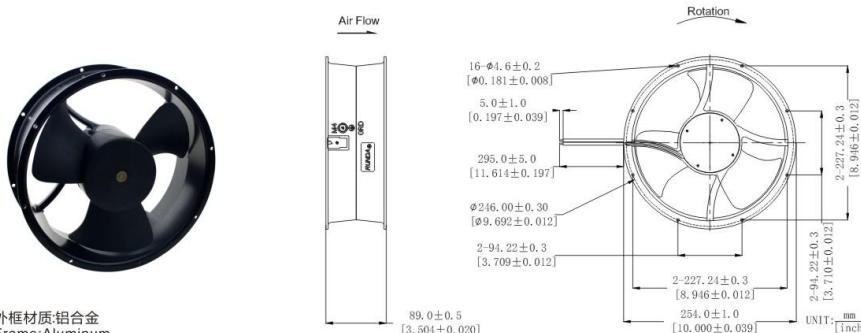
# STANDARD AC AXIAL FAN

## 254\*89mm

### AC25489 Series

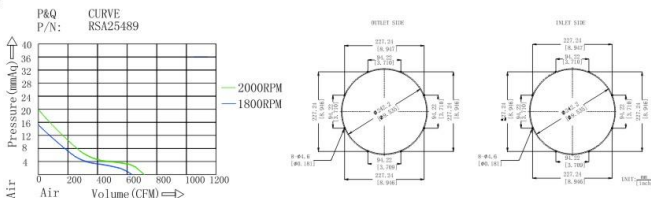


#### DIMENSIONS DRAWING



外框材质:铝合金  
Frame:Aluminum  
扇叶材质:环保防火PBT  
Impeller:Thermoplastic PBT UL94-V0  
轴承结构:双滚珠或长寿命含油结构  
Bearing system:2Ball or Long life sleeve  
单体风扇重量:2410g  
Unit Weight:2410g

#### P&Q CURVE (AT RATED VOLTAGE)



Part Number	Voltage(V)	Frequency (HZ)	Power(W)	Current (Amp)	Speed (RPM)	Air flow(Q)	Pressure(P)
产品编号	电压	频率	功率	电流	转速	(CFM) 风量	(mmAq)风压
AC25489B110H	AC 110/120	50/60	35/30	0.32/0.30	1800/2000	620/680	17.5/19.2
AC25489B220H	AC 220/240	50/60	33/31	0.15/0.14	1800/2000	620/680	12.7/14.0
						17.5/19.2	0.50/0.55
						12.7/14.0	0.50/0.55

★ 如果您需要的转速或电压或功能不在这份清单上, 请与我们联系。  
If you want another rpm or voltage or functions which one is not in the list, please contact with our sales.

★ 提示1:功能的具体信息参照产品目录前页篇章。  
Notes1:The catalog have detail information in the front page for the functions.

★ 提示2:产品详细信息请参照承认书。  
Notes2:Product have a detail in the approval sheet.

★ 提示3:产品规格变更不另行通知。  
Notes3:Specifications are subject to change without notice.