

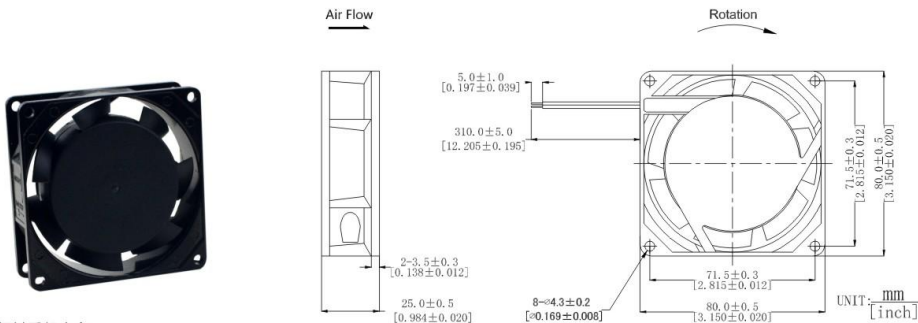
STANDARD AC AXIAL FAN

80*80*25mm

AC8025 Series

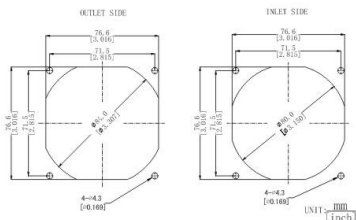
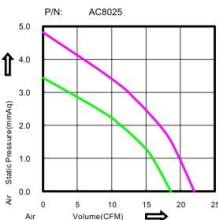


DIMENSIONS DRAWING



外框材质:铝合金
 Frame: Aluminum
 扇叶材质:环保防火PBT
 Impeller: Thermoplastic PBT UL94-V0
 轴承结构:双滚珠或长寿命含油结构
 Bearing system: 2Ball or Long life sleeve
 单体风扇重量: 230g
 Unit Weight: 230g

P&Q CURVE (AT RATED VOLTAGE)



Part Number	Voltage(V)	Frequency (HZ)	Power(W)	Current (Amp)	Speed (RPM)	Air flow(Q)		Pressure(P)		Noise(dBA)
产品编号	电压	频率	功率	电流	转速	(CFM)	风量	m ³ /min	(mmAq)风压 (In H ₂ O)	噪音
AC8025S110H	AC 110/120	50/60	13/11	0.14/0.12	2300/2500	17/21	0.48/0.60	3.0/4.6	0.12/0.18	29/33
AC8025B110H		50/60	13/11	0.14/0.12	2400/2600	18/22	0.51/0.63	3.3/4.8	0.13/0.19	29/33
AC8025S220H	AC 220/240	50/60	13/11	0.07/0.06	2300/2500	17/21	0.48/0.60	3.0/4.6	0.12/0.18	29/33
AC8025B220H		50/60	13/11	0.07/0.06	2400/2600	18/22	0.51/0.63	3.3/4.8	0.13/0.19	29/33

★ 如果您需要的转速或电压或功能不在这份清单上，请与我们联系。
 If you want another rpm or voltage or functions which one is not in the list, please contact with our sales.

★ 提示1:功能的具体信息参照产品目录前页篇章。
 Notes1: The catalog have detail information in the front page for the functions.

★ 提示2:产品详细信息请参照承认书。
 Notes2: Product have a detail in the approval sheet.

★ 提示3:产品规格变更不另行通知。
 Notes3: Specifications are subject to change without notice.