

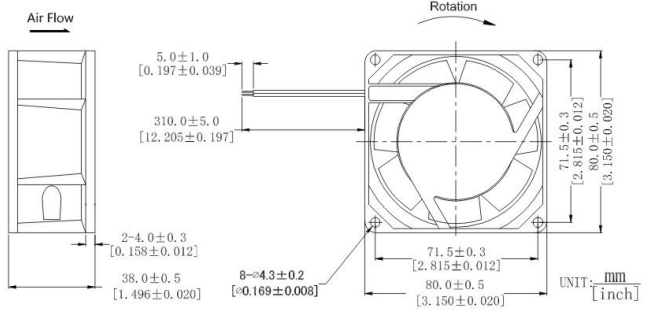
# STANDARD AC AXIAL FAN

## 80\*80\*38mm

### AC8038 Series



DIMENSIONS DRAWING



外框材质:铝合金

Frame:Aluminum

扇叶材质:环保防火PBT

Impeller:Thermoplastic PBT UL94-V0

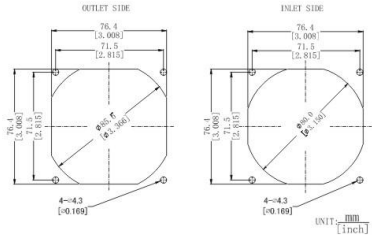
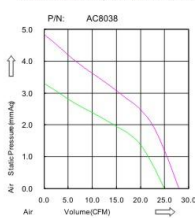
轴承结构:双滚珠或长寿命含油结构

Bearing system:2Ball or Long life sleeve

单体风扇重量:270g

Unit Weight:270g

P&Q CURVE (AT RATED VOLTAGE)



| Part Number | Voltage(V) | Frequency (HZ) | Power (W) | Current (Amp) | Speed(RPM) | Air flow(Q) | Pressure(P)         | Noise(dBA) |                       |       |
|-------------|------------|----------------|-----------|---------------|------------|-------------|---------------------|------------|-----------------------|-------|
| 产品编号        | 电压         | 频率             | 功率        | 电流            | 转速         | (CFM) 风量    | m <sup>3</sup> /min | (mmAq)风压   | (In H <sub>2</sub> O) | 噪音    |
| AC8038S110H | AC 110/120 | 50/60          | 11/8      | 0.14/0.12     | 2400/2700  | 25/28       | 0.7/0.8             | 3.3/4.83   | 0.13/0.19             | 30/35 |
| AC8038B110H |            | 50/60          | 11/8      | 0.14/0.12     | 2400/2700  | 25/28       | 0.7/0.8             | 3.3/4.83   | 0.13/0.19             | 30/35 |
| AC8038S220H | AC 220/240 | 50/60          | 11/8      | 0.07/0.06     | 2400/2700  | 25/28       | 0.7/0.8             | 3.3/4.83   | 0.13/0.19             | 30/35 |
| AC8038B220H |            | 50/60          | 11/8      | 0.07/0.06     | 2400/2700  | 25/28       | 0.7/0.8             | 3.3/4.83   | 0.13/0.19             | 30/35 |

★ 如果您需要的转速或电压或功能不在这份清单上, 请与我们联系。  
If you want another rpm or voltage or functions which one is not in the list, please contact with our sales.

★ 提示1:功能的具体信息参照产品目录前页篇章。  
Notes1:The catalog have detail information in the front page for the functions.

★ 提示2:产品详细信息请参照承认书。  
Notes2:Product have a detail in the approval sheet.

★ 提示3:产品规格变更不另行通知。  
Notes3:Specifications are subject to change without notice.