

DC AXIAL FAN

140x140x25mm

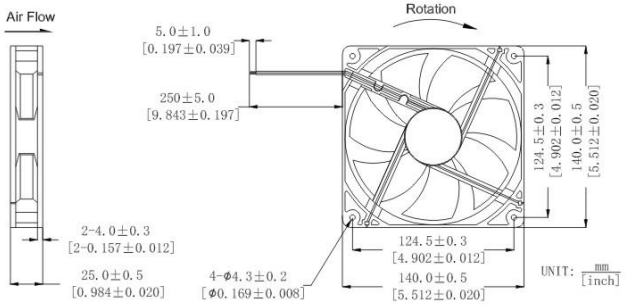
RS1425 Series



DIMENSIONS DRAWING



外框材质:环保防火PBT
 Frame:Thermoplastic PBT UL94-V0
 扇叶材质:环保防火PBT
 Impeller:Thermoplastic PBT UL94-V0
 轴承结构:双滚珠或长寿命含油结构
 Bearing system:2Ball or Long life sleeve
 单体风扇重量:200g
 Unit Weight:200g



可选的功能参照列表 (Available Functions)

1. 马达保护(Motor protection)

| | | | |
|----|----|----|----|
| RP | SS | AS | CL |
| ● | ● | ● | ● |

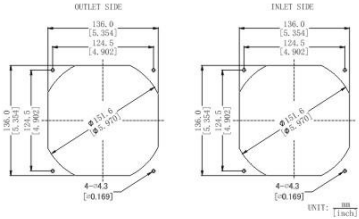
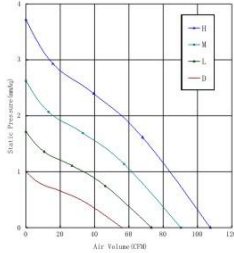
2. 信号输出(Signal output)

| | | | |
|----|----|----|----|
| FG | RD | RD | LD |
| ● | ● | ● | ● |

3. 调速方式(Speed control mode)

| | | | | |
|-----|----|----|----|----|
| PWM | TP | VC | RC | CS |
| ● | ● | ● | ● | ● |

Fan Performance Curve



| Part Number | Voltage(V) | Current(A) | Power(W) | Speed(RPM) | Air flow(Q) | Pressure(P) | Noise(dBA) | |
|-------------|------------|------------|----------|------------|-------------|--|------------|------|
| 产品编号 | 电压范围 | 额定电流 | 功率 | 转速 | (CFM) 风量 | m ³ /min (mmAq)风压 (In H ₂ O) | 噪音 | |
| RS1425x12D | 12(7~14) | 0.01 | 0.12 | 1200 | 55.90 | 1.58 | 1.00 | 26.8 |
| RS1425x12L | | 0.13 | 1.56 | 1600 | 73.10 | 2.07 | 1.72 | 33.4 |
| RS1425x12M | | 0.20 | 2.40 | 2000 | 90.30 | 2.56 | 2.62 | 39.4 |
| RS1425x12H | | 0.36 | 4.32 | 2400 | 107.50 | 3.04 | 3.72 | 43.8 |
| RS1425x24D | 24(15~27) | 0.05 | 1.20 | 1200 | 55.90 | 1.58 | 1.00 | 26.8 |
| RS1425x24L | | 0.07 | 1.68 | 1600 | 73.10 | 2.07 | 1.72 | 33.4 |
| RS1425x24M | | 0.10 | 2.40 | 2000 | 90.30 | 2.56 | 2.62 | 39.4 |
| RS1425x24H | | 0.18 | 4.32 | 2400 | 107.50 | 3.04 | 3.72 | 43.8 |

★ 如果您需要的转速或电压或功能不在这份清单上, 请与我们联系。
 If you want another rpm or voltage or functions which one is not in the list, please contact with our sales.

★ 提示1:功能的具体信息参照产品目录前页篇章。
 Notes 1:The catalog have detail information in the front page for the functions.

★ 提示2:产品详细信息请参照承认书。
 Notes2:Product have a detail in the approval sheet.

★ 提示3:产品规格变更不另行通知。
 Notes3:Specifications are subject to change without notice.