

DC AXIAL FAN

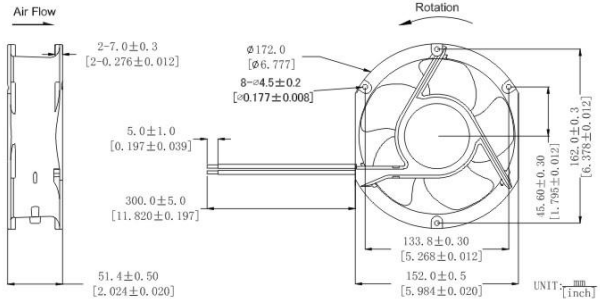
172x150x51mm

RS1751 Series



全圆框也可生产 Round frame is available
 外框材质:铝合金
 Frame:Aluminum
 扇叶材质:环保防火PBT
 Impeller:Thermoplastic PBT UL94-V0
 轴承结构:双滚珠
 Bearing system:2Ball
 单体风扇重量:720g
 Unit Weight:720g

DIMENSIONS DRAWING



可选的功能参照列表 (Available Functions)

1. 马达保护(Motor protection)



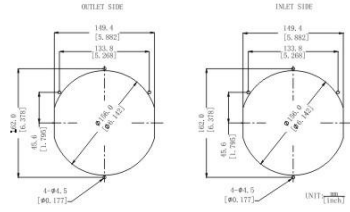
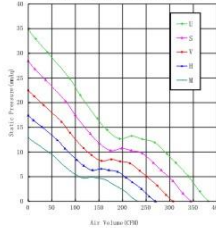
2. 信号输出(Signal output)



3. 调速方式(Speed control mode)



Fan Performance Curve



Part Number	Voltage(V)	Current(A)	Power(W)	Speed(RPM)	Air flow(Q)	Pressure(P)	Noise(dBA)	
产品编号	电压范围	额定电流	功率	转速	(CFM) 风量	(mmAq)风压	噪音	
RS1751x12M	12(7~14)	1.16	13.92	3000	232.20	6.56	12.88	52.3
RS1751x12H		1.76	21.12	3500	269.65	7.62	17.38	56.6
RS1751x12VH		2.42	29.04	4000	307.11	8.68	22.54	60.5
RS1751x24M		0.58	13.92	3000	232.20	6.56	12.88	52.3
RS1751x24H	24(15~28)	0.88	21.12	3500	269.65	7.62	17.38	56.6
RS1751x24VH		1.21	29.04	4000	307.11	8.68	22.54	60.5
RS1751x24SH		1.86	44.64	4500	344.56	9.74	28.37	62.3
RS1751x24UH		2.20	52.80	5000	382.01	10.80	34.88	66.8
RS1751x48M	48(35~58)	0.29	13.92	3000	232.20	6.56	12.88	52.3
RS1751x48H		0.44	21.12	3500	269.65	7.62	17.38	56.6
RS1751x48VH		0.60	28.80	4000	307.11	8.68	22.54	60.5
RS1751x48SH		0.93	44.64	4500	344.56	9.74	28.37	62.3
RS1751x48UH		1.10	52.80	5000	382.01	10.80	34.88	66.8

★ 如果您需要的转速或电压或功能不在这份清单上, 请与我们的业务联系。
 If you want another rpm or voltage or functions which one is not in the list, please contact with our sales.

★ 提示1:功能的具体信息参照产品目录前页篇章。
 Notes1:The catalog have detail information in the front page for the functions.

★ 提示2:产品详细信息请参照承诺书。
 Notes2:Product have a detail in the approval sheet.

★ 提示3:产品规格变更不另行通知。
 Notes3:Specifications are subject to change without notice.