

DC AXIAL FAN

220x30mm

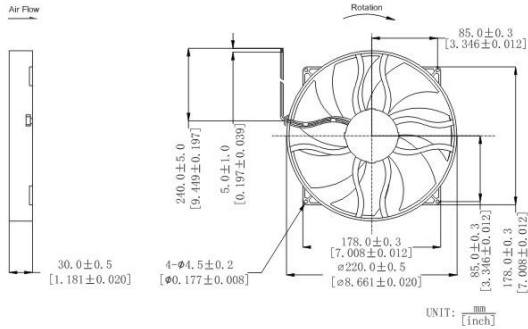
RS2230 Series



DIMENSIONS DRAWING



外框材质:环保防火PC
Frame:Thermoplastic PC UL94-V0
扇叶材质:环保防火PC
Impeller:Thermoplastic PC UL94-V0
轴承结构:双滚珠或长寿命含油结构
Bearing system:2Ball or Long life sleeve
单体风扇重量:250g
Unit Weight:250g



可选的功能参照列表 (Available Functions)

1. 马达保护(Motor protection)

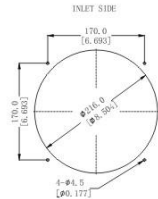
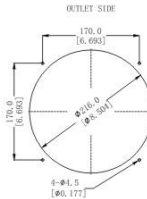
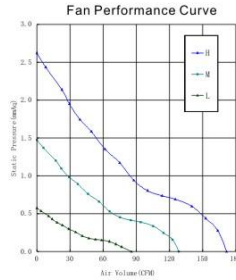
RP	SS	AS	CL
●	●	●	●

2. 信号输出(Signal output)

FG	RD	RD	LD
●	●	●	●

3. 调速方式(Speed control mode)

PWM	TP	VC	RC	CS
●	●	●	●	●



Part Number	Voltage(V)	Current(A)	Power(W)	Speed(RPM)	Air flow(Q)	Pressure(P)	Noise(dBA)		
产品编号	电压范围	额定电流	功率	转速	(CFM) 风量	m ³ /min	(mmAq)风压 (In H ₂ O)	噪音	
RS2230x12L	12(7~14)	0.36	4.32	800	85.60	2.42	0.65	0.03	28.5
RS2230x12M		0.52	6.24	1200	128.40	3.63	1.44	0.06	37.0
RS2230x12H		0.80	9.60	1600	171.20	4.84	2.60	0.10	44.5
RS2230x24L	24(15~27)	0.18	4.32	800	85.60	2.42	0.65	0.03	28.5
RS2230x24M		0.26	6.24	1200	128.40	3.63	1.44	0.06	37.0
RS2230x24H		0.40	9.60	1600	171.20	4.84	2.60	0.10	44.5
RS2230x48L	48(35~57)	0.09	4.32	800	85.60	2.42	0.65	0.03	28.5
RS2230x48M		0.13	6.24	1200	128.40	3.63	1.44	0.06	37.0
RS2230x48H		0.20	9.60	1600	171.20	4.84	2.60	0.10	44.5

- ★ 如果您需要的转速或电压或功能不在这份清单上, 请与我们联系。
If you want another rpm or voltage or functions which one is not in the list, please contact with our sales.
- ★ 提示1:功能的具体信息参照产品目录前页篇章。
Notes1:The catalog have detail information in the front page for the functions.
- ★ 提示2:产品详细信息请参照承诺书。
Notes2:Product have a detail in the approval sheet.
- ★ 提示3:产品规格变更不另行通知。
Notes3:Specifications are subject to change without notice.