

DC AXIAL FAN

70x70x15mm

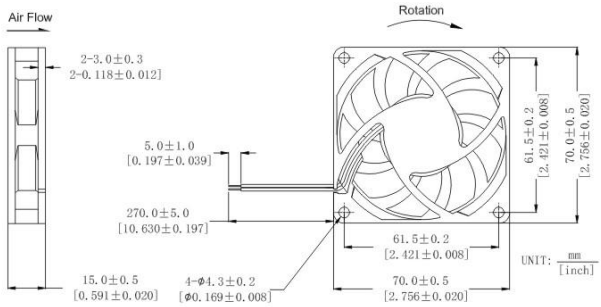
RS7015 Series



DIMENSIONS DRAWING



外框材质:环保防火PBT
 Frame:Thermoplastic PBT UL94-V0
 扇叶材质:环保防火PBT
 Impeller:Thermoplastic PBT UL94-V0
 轴承结构:双滚珠或长寿命含油结构
 Bearing system:2Ball or Long life sleeve
 单体风扇重量:42g
 Unit Weight:42g



可选的功能参照列表 (Available Functions)

1.马达保护(Motor protection)

RP	SS	AS	CL
●	●	●	●

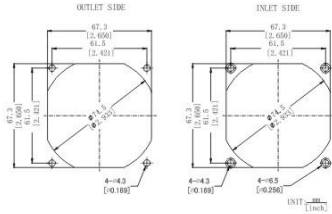
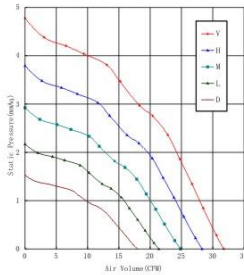
2.信号输出(Signal output)

FG	RD	RD	LD
●	●	●	●

3.调速方式(Speed control mode)

PWM	TP	VC	RC	CS
●	●	●	●	●

Fan Performance Curve



Part Number	Voltage(V)	Current(A)	Power(W)	Speed(RPM)	Air flow(Q)	Pressure(P)	Noise(dBA)
产品编号	电压范围	额定电流	功率	转速	(CFM) 风量	(mmAq)风压 (In H ₂ O)	噪音
RS7015x05D	5(4~6)	0.22	1.1	2500	17.90	1.50	28.6
RS7015x05L		0.28	1.4	3000	21.40	0.61	30.4
RS7015x05M		0.46	2.3	3500	24.90	0.70	32.0
RS7015x12D		0.09	1.08	2500	17.90	0.70	28.6
RS7015x12L	12(7~14)	0.12	1.44	3000	21.40	0.80	30.4
RS7015x12M		0.2	2.4	3500	24.90	0.90	32.0
RS7015x12H		0.24	2.88	4000	28.30	0.80	35.6
RS7015x12VH		0.26	3.12	4500	31.80	0.90	38.3
RS7015x24L	24(15~27)	0.06	1.44	3000	21.40	0.61	30.4
RS7015x24M		0.1	2.4	3500	24.90	0.70	32.0
RS7015x24H		0.12	2.88	4000	28.30	0.80	35.6
RS7015x24VH		0.13	3.12	4500	31.80	0.90	38.3

★ 如果您需要的转速或电压或功能不在这份清单上, 请与我们联系。
 If you want another rpm or voltage or functions which one is not in the list, please contact with our sales.

★ 提示1:功能的具体信息参照产品目录前页篇章。
 Notes 1:The catalog have detail information in the front page for the functions.

★ 提示2:产品详细信息请参照承认书。
 Notes2:Product have a detail in the approval sheet.

★ 提示3:产品规格变更不另行通知。
 Notes3:Specifications are subject to change without notice.