

120 mm sq.

San Ace 120AD



General Specifications

- Material Frame: Plastics (Flammability: UL94V-0), Impeller: Plastics (Flammability: UL94V-1)
 - Expected Life Refer to specifications (L10:Survival rate: 90% at 60°C , rated voltage, and continuously run in a free air state)
 - Storage Temperature -30°C to +75°C (Non-condensing)
- * Do not weld directly onto AC input terminals.

120×120×38mm [Mass : 290g] **9AD type**

Specifications

The model no. below has **ribs and no sensors**. For models without ribs, append "1" to the model no.

Model No.	Rated Voltage [V]	Operating Voltage Range [V]	Frequency [Hz]	Rated Current [A]	Rated Input [W]	Rated Speed [min ⁻¹]	Max. Airflow [m ³ /min] [CFM]	Max. Static Pressure [Pa] [inchH ₂ O]	SPL [dB(A)]	Operating Temperature [°C]	Expected Life [h]
9AD1201H12	100 to 240	90 to 264	50/60	0.08	4.4	3,250	3.0 106	84 0.34	42	-20 to +75	60,000/60°C

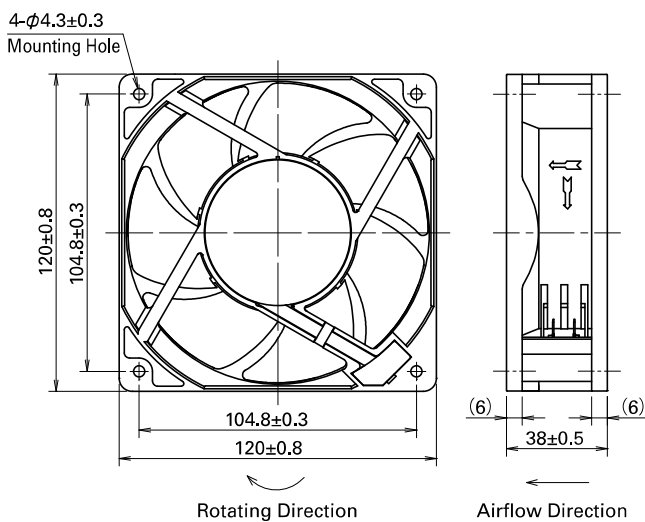
The model no. below has **ribs and low-speed sensors**. For models without ribs, append "1" to the model no.

Model No.	Rated Voltage [V]	Operating Voltage Range [V]	Frequency [Hz]	Rated Current [A]	Rated Input [W]	Rated Speed [min ⁻¹]	Max. Airflow [m ³ /min] [CFM]	Max. Static Pressure [Pa] [inchH ₂ O]	SPL [dB(A)]	Operating Temperature [°C]	Expected Life [h]
9AD1201H1H	100 to 240	90 to 264	50/60	0.08	4.4	3,250	3.0 106	84 0.34	42	-20 to +75	60,000/60°C

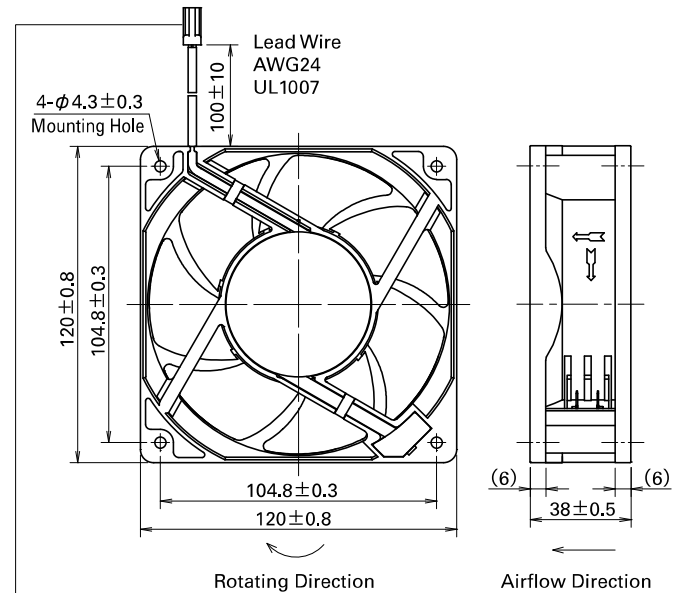
Set Models Fan, finger guard, plug cord, screws, etc. can be purchased in one package. For details, please refer to pp. 453 to 456.

Dimensions (unit: mm) (With ribs)

without Sensor

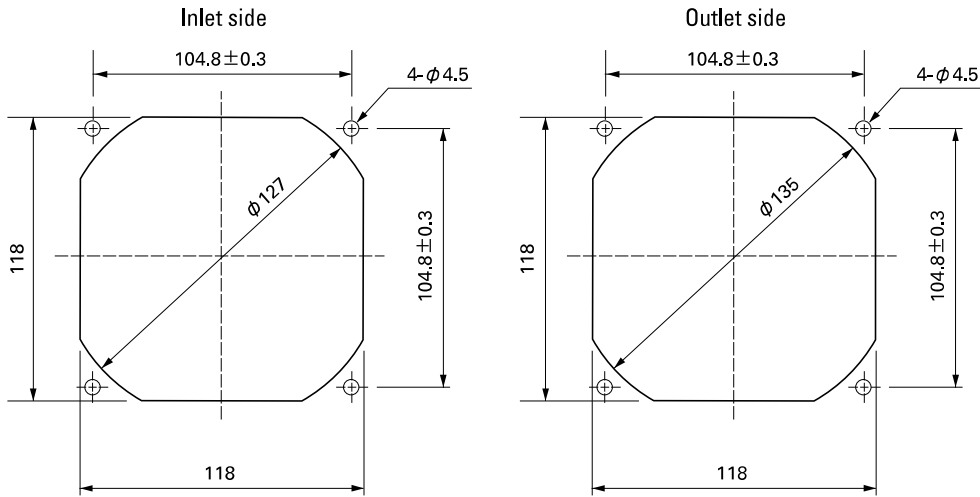


with Low-speed sensor



Connector: Tyco Electronics 171822-2
 (Pin1 Sensor output: Yellow Pin2 -: Black)
 Contact: Tyco Electronics 170262-1
 * Recommended connectors and contacts are listed below.
 Connector: Tyco Electronics 172211-2
 Contact: Tyco Electronics 170376-1

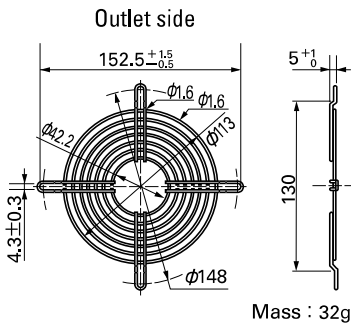
Reference Dimensions of Mounting Holes and Vent Opening (unit: mm)



Options (unit: mm)

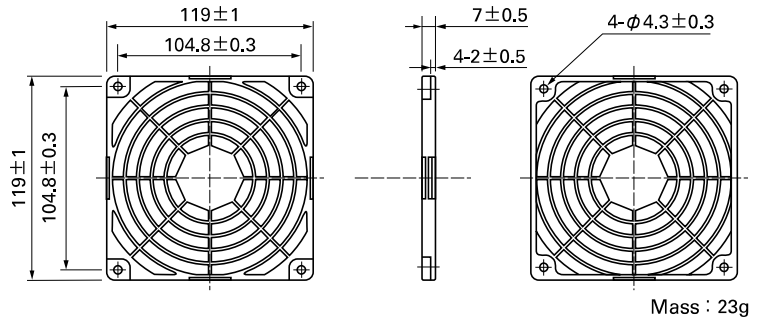
Finger Guards

Model : 109-019C Surface treatment : Nickel-chrome plating (silver) Color
 : 109-019H : Cation electropainting (black)

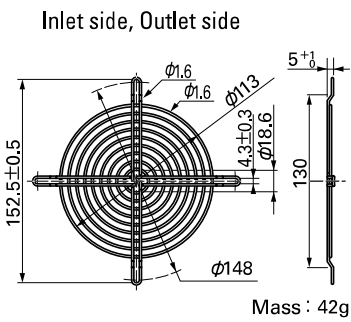


Resin Finger Guards

Model : 109-1000G

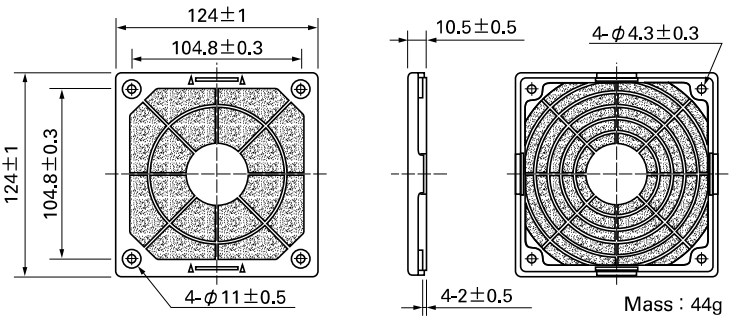


Model : 109-019E Surface treatment : Nickel-chrome plating (silver) Color
 : 109-019K : Cation electropainting (black)



Resin Filter Kits

Model: 109-1000F13 (13PPI), 109-1000F20 (20PPI), 109-1000F30 (30PPI), 109-1000F40 (40PPI)



120 mm sq.

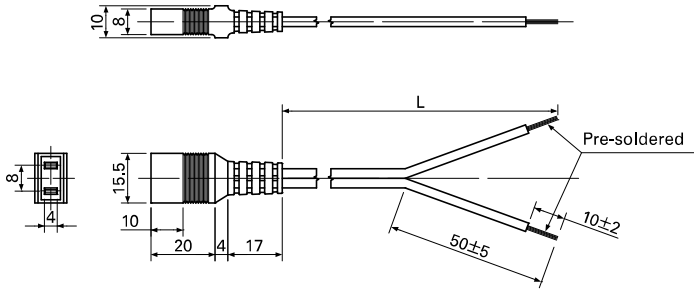
San Ace 120AD

120×120×38mm [Mass : 290g]

Options (unit: mm)

Plug Cord

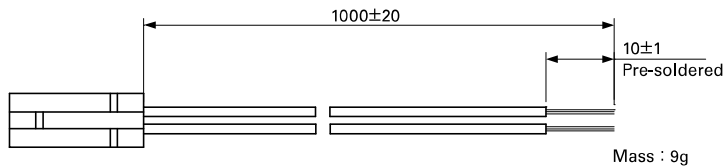
(Products compliant with Electrical Appliance and Material Safety Law, UL/CSA [c-UL] CERTIFIED)
 UL FILE No. E43202
 Model : 489-1635-L10/489-1635-L21



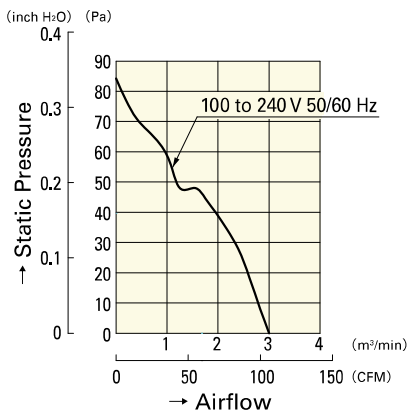
Model	Power cord length (L) [mm]	Mass [g]
489-1635-L10	1,000	38
489-1635-L21	2,100	74

Wiring Harness for Sensor

Model: 489-1636



Airflow - Static Pressure Characteristics

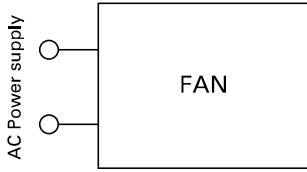


9AD1201H12

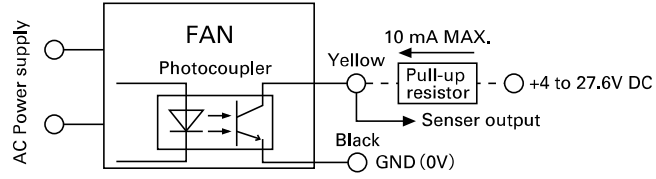
9AD1201H1H

Wiring Diagram

without Sensor



with Low-speed sensor

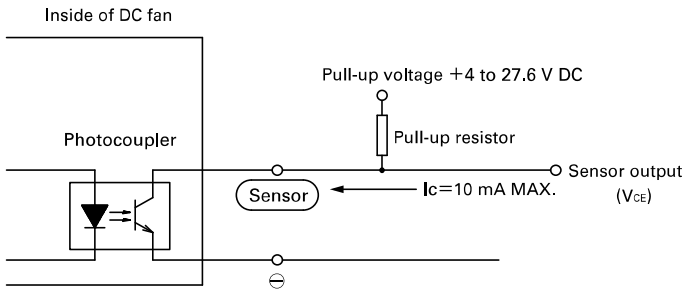


Specifications for Low-speed Sensors

Model No.: 9AD1201H1H

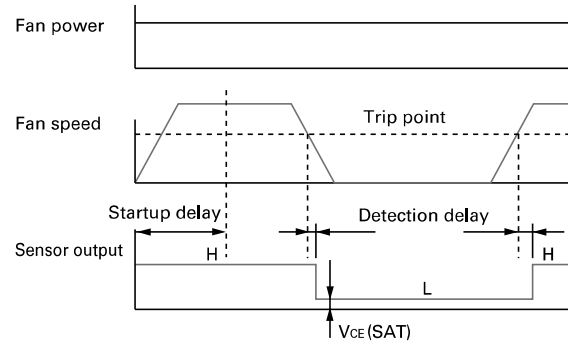
Output circuit: Open collector

$V_{CE} = +27.6$ V DC MAX.
 $I_C = 10$ mA MAX. [$V_{CE(SAT)} = 1.0$ V MAX.]

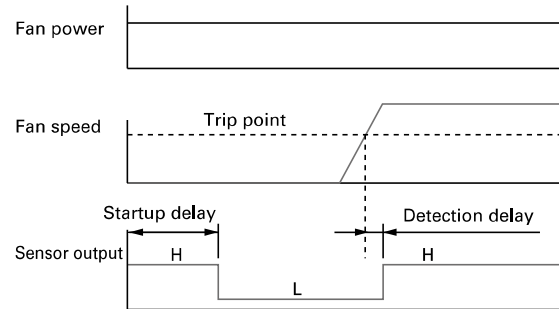


Sensor scheme

Example 1: when steady running



Example 2: when the rotor is locked when the fan motor is turned on and released after the start-up delay time.



Startup delay: 18 ± 3 s
 Detection delay: 3 s MAX.
 Trip point: $1,700 \text{ min}^{-1}$