

92mm sq.

San Ace 92AD



General Specifications

- Material Frame: Plastics (Flammability: UL94V-0), Impeller: Plastics (Flammability: UL94V-0)
 - Expected Life Refer to specifications (L10:Survival rate: 90% at 60°C , rated voltage,and continuously run in a free air state)
 - Storage Temperature -30°C to +75°C (Non-condensing)
- * Do not weld directly onto AC input terminals.

92×92×38mm (Mass : 250g) **9AD type**

Specifications

The model no. below has **ribs and no sensors**. For models without ribs, append "1" to the model no.

Model No.	Rated Voltage [V]	Operating Voltage Range [V]	Frequency [Hz]	Rated Current [A]	Rated Input [W]	Rated Speed [min ⁻¹]	Max. Airflow [m ³ /min] [CFM]	Max. Static Pressure [Pa] [inchH ₂ O]	SPL [dB(A)]	Operating Temperature [°C]	Expected Life [h]
9AD0901H12	100 to 240	90 to 264	50/60	0.08	4.5	3,850	1.50 53.0	90 0.36	40	-20 to +75	60,000/60°C
9AD0901M12				0.06	3.0	3,100	1.18 41.7	56 0.22	33		

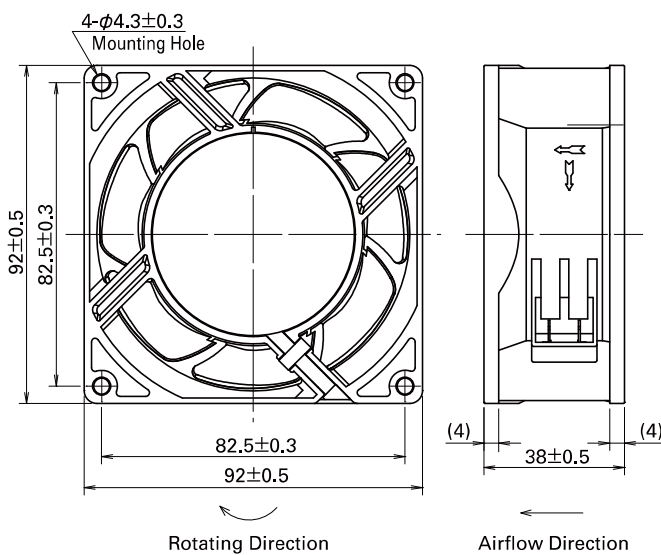
The model no. below has **ribs and low-speed sensors**. For models without ribs, append "1" to the model no.

Model No.	Rated Voltage [V]	Operating Voltage Range [V]	Frequency [Hz]	Rated Current [A]	Rated Input [W]	Rated Speed [min ⁻¹]	Max. Airflow [m ³ /min] [CFM]	Max. Static Pressure [Pa] [inchH ₂ O]	SPL [dB(A)]	Operating Temperature [°C]	Expected Life [h]
9AD0901H1H	100 to 240	90 to 264	50/60	0.08	4.5	3,850	1.50 53.0	90 0.36	40	-20 to +75	60,000/60°C
9AD0901M1H				0.06	3.0	3,100	1.18 41.7	56 0.22	33		

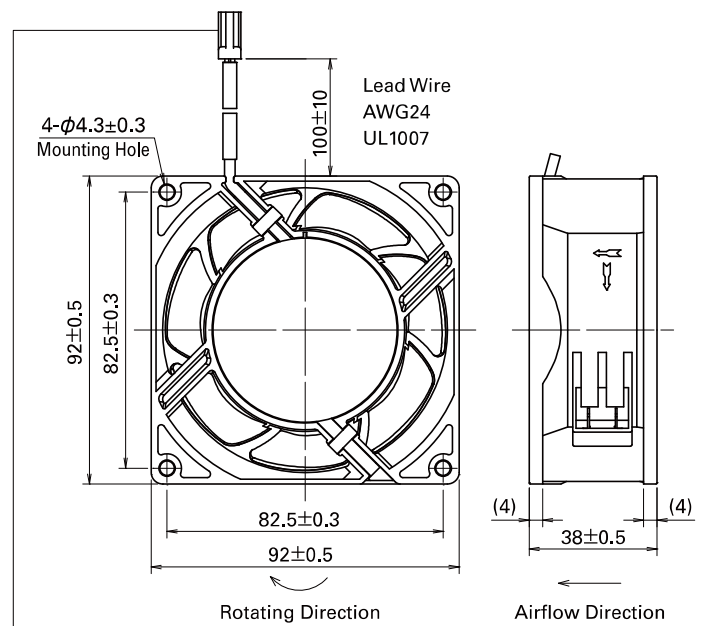
Set Models Fan, finger guard, plug cord, screws, etc. can be purchased in one package. For details, please refer to pp. 453 to 456.

Dimensions (unit: mm) (With ribs)

without Sensor

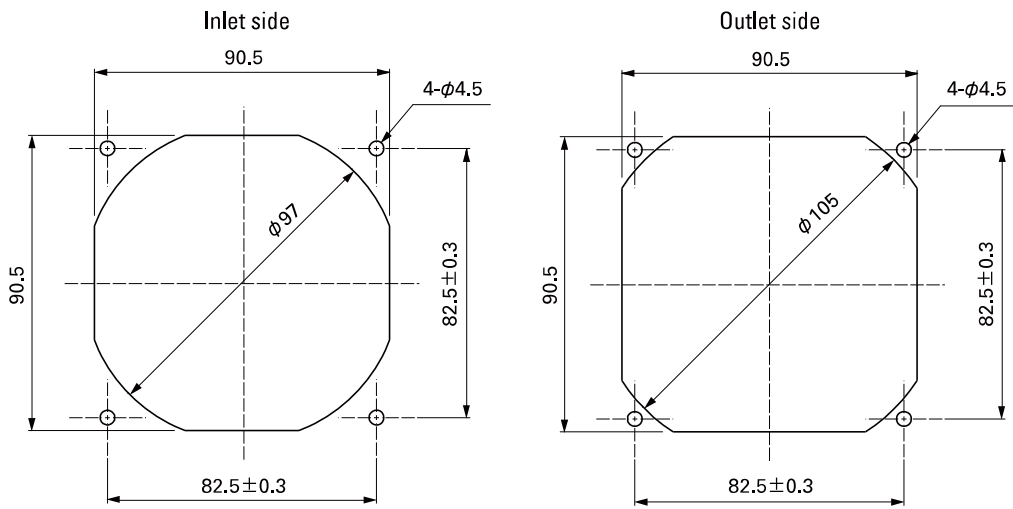


with Low-speed sensor



Connector: Tyco Electronics 171822-2
 (Pin1 Sensor output: Yellow Pin2 -: Black)
 Contact: Tyco Electronics 170262-1
 * Recommended connectors and contacts are listed below.
 Connector: Tyco Electronics 172211-2
 Contact: Tyco Electronics 170376-1

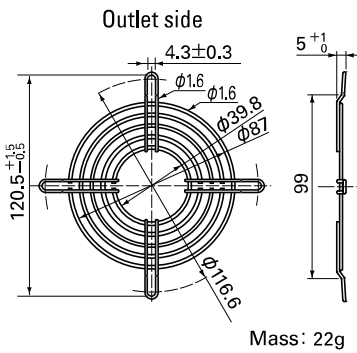
Reference Dimensions of Mounting Holes and Vent Opening (unit: mm)



Options (unit: mm)

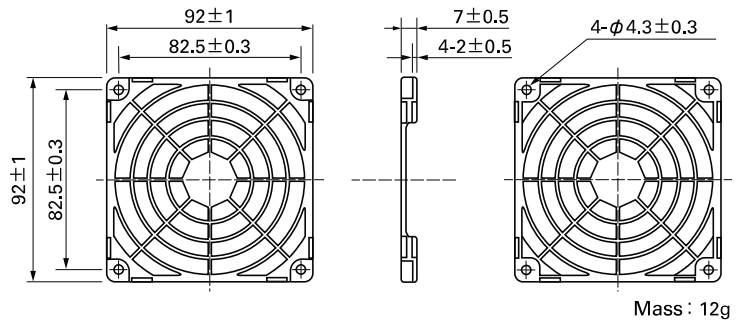
Finger Guards

Model: 109-099C Surface treatment: Nickel-chrome plating (silver) Color: Nickel-chrome plating (silver)

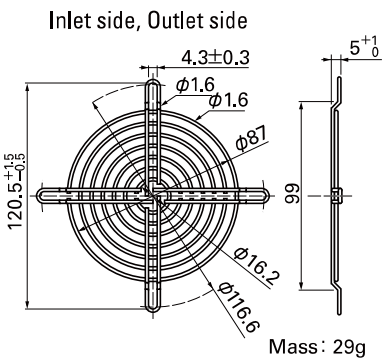


Resin Finger Guards

Model: 109-1001G

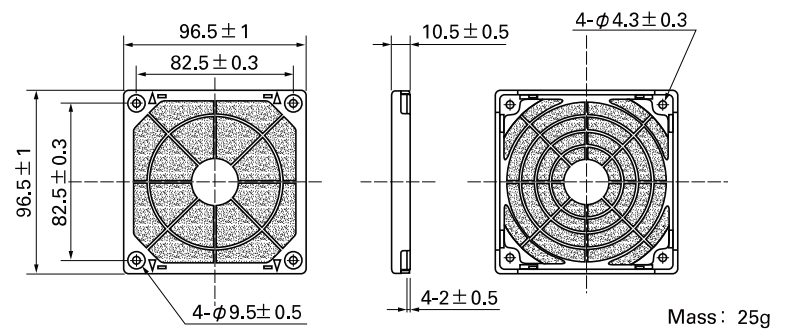


Model: 109-099E Surface treatment: Nickel-chrome plating (silver) Color: Nickel-chrome plating (silver)
 : 109-099H : Cation electropainting (black)



Resin Filter Kits

Model: 109-1001F13 (13PPI), 109-1001F20 (20PPI), 109-1001F30 (30PPI), 109-1001F40 (40PPI)



92mm sq.

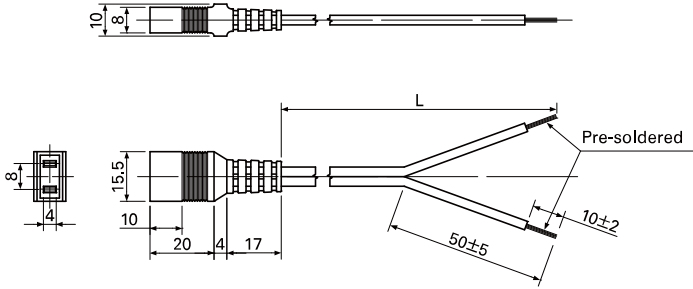
San Ace 92AD

92×92×38mm [Mass : 250g]

Options (unit: mm)

Plug Cord

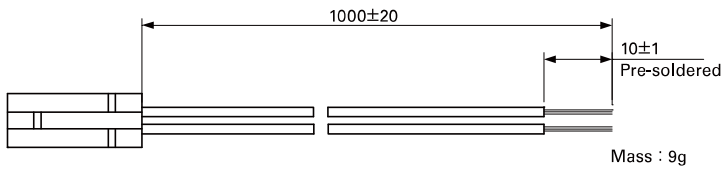
(Products compliant with Electrical Appliance and Material Safety Law, UL/CSA [c-UL] CERTIFIED)
 UL FILE No. E43202
 Model : 489-1635-L10/489-1635-L21



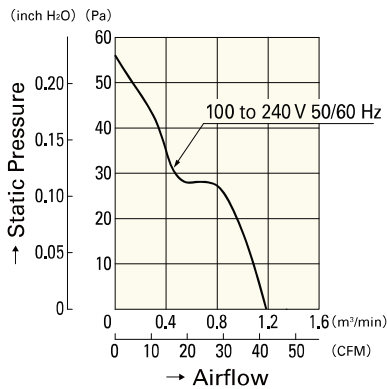
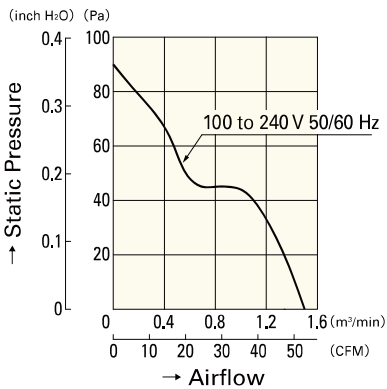
Model	Power cord length (L) [mm]	Mass [g]
489-1635-L10	1,000	38
489-1635-L21	2,100	74

Wiring Harness for Sensor

Model: 489-1636



Airflow - Static Pressure Characteristics

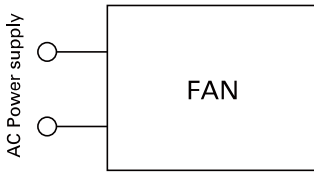


9AD0901H12
9AD0901H1H

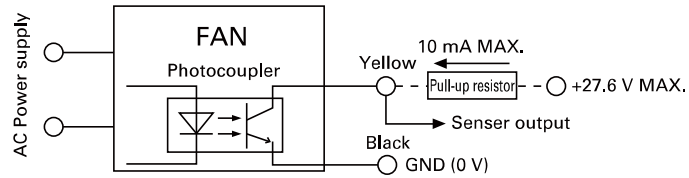
9AD0901M12
9AD0901M1H

Wiring Diagram

Standard



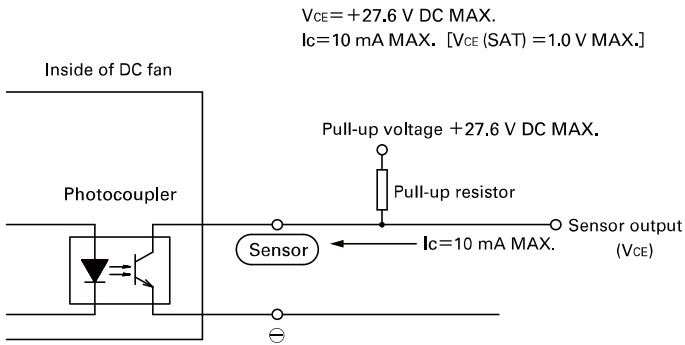
with Sensor



Specifications for Low-speed Sensors

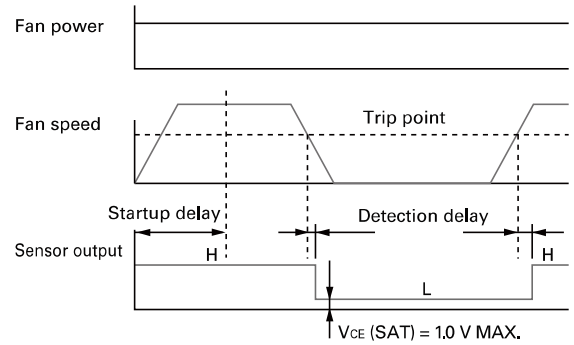
Typical standard model: 9AD0901H1H

Output circuit: Open collector

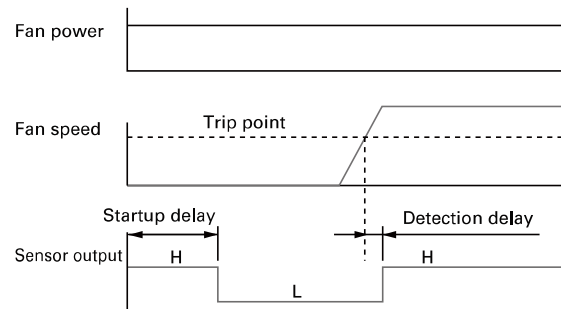


Sensor scheme

Example 1: when steady running



Example 2: when the rotor is locked when the fan motor is turned on and released after the start-up delay time.



9AD0901H1H

Startup delay: 18±3 s

Detection delay: 3 s MAX.

Trip point: 1,700 min⁻¹

9AD0901M1H

Startup delay: 36±3 s

Detection delay: 3 s MAX.

Trip point: 850 min⁻¹