

120 mm sq.

San Ace 120L



General Specifications

- Material Frame: Aluminum,
Impeller: Plastics (Flammability: UL94V-1)
- Expected Life Refer to specifications (L10:Survival rate: 90% at 60°C ,
rated voltage, and continuously run in a free air state)
- Lead Wire ⊕red ⊖black or blue (Sensor) yellow
- Storage Temperature -30°C to +70°C (Non-condensing)

120×120×38mm (Mass : 370g) **9GL type**

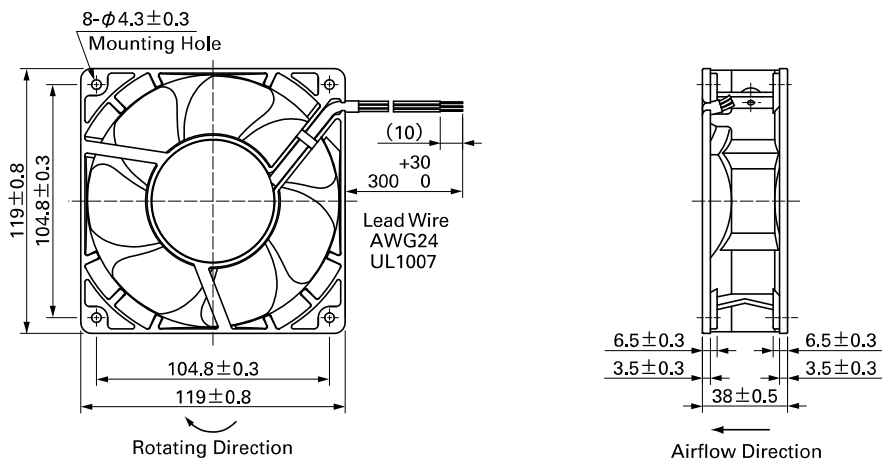
Specifications

The following nos. have pulse sensors.

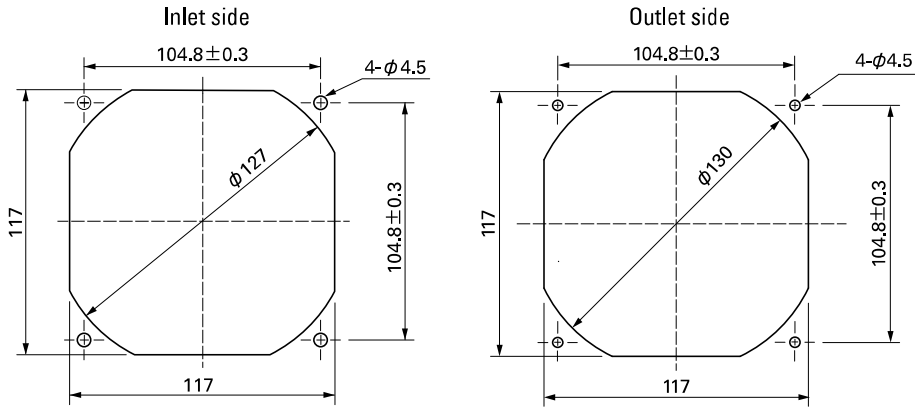
Model No.	Rated Voltage [V]	Operating Voltage Range [V]	Rated Current [A]	Rated Input [W]	Rated Speed [min ⁻¹]	Max. Airflow [m ³ /min] [CFM]	Max. Static Pressure [Pa] [inchH ₂ O]	SPL [dB(A)]	Operating Temperature [°C]	Expected Life [h]	
9GL1212G101	12	10.2 to 13.8	0.98	11.8	3,600	3.88 137	135 0.542	49	- 20 to + 70	80,000/60°C	
9GL1212E101			0.61	7.32	3,100	3.34 118	100 0.402	46			
9GL1212H101		7 to 13.8	0.38	4.56	2,600	2.80 99	70.4 0.283	39		100,000/60°C	
9GL1212F101			0.28	3.36	2,280	2.45 87	54.2 0.218	36			
9GL1212M101			0.21	2.52	1,950	2.10 74	39.6 0.159	32			
9GL1224G101	24	20.4 to 27.6	0.50	12.0	3,600	3.88 137	135 0.542	49		- 20 to + 70	80,000/60°C
9GL1224E101			0.34	8.16	3,100	3.34 118	100 0.402	46			
9GL1224H101		14 to 27.6	0.22	5.28	2,600	2.80 99	70.4 0.283	39			100,000/60°C
9GL1224F101			0.16	3.84	2,280	2.45 87	54.2 0.218	36			
9GL1224M101			0.11	2.64	1,950	2.10 74	39.6 0.159	32			
9GL1248G101	48	40.8 to 55.2	0.25	12.0	3,600	3.88 137	135 0.542	49	- 20 to + 70		80,000/60°C
9GL1248E101			0.17	8.16	3,100	3.34 118	100 0.402	46			
9GL1248H101			0.11	5.28	2,600	2.80 99	70.4 0.283	39			100,000/60°C
9GL1248F101			0.09	4.32	2,280	2.45 87	54.2 0.218	36			
9GL1248M101			0.07	3.36	1,950	2.10 74	39.6 0.159	32			

Other sensor specifications are available as options. Please refer to the index (p. 506).

Dimensions (unit: mm)



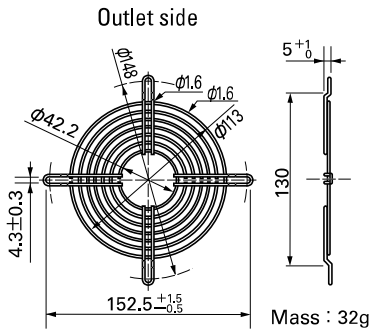
Reference Dimensions of Mounting Holes and Vent Opening (unit: mm)



Options (unit: mm)

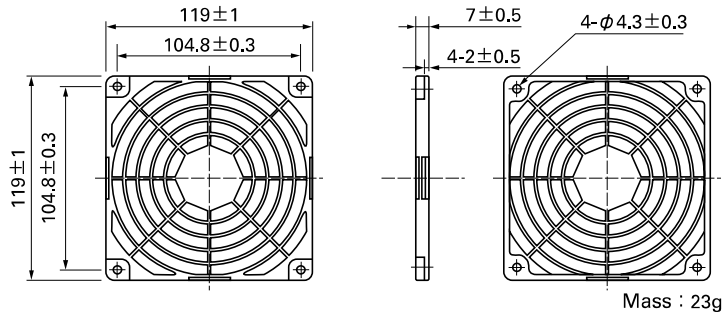
Finger Guards

Model : 109-019C Surface treatment : Nickel-chrome plating (silver) Color : 109-019H : Cation electropainting (black)

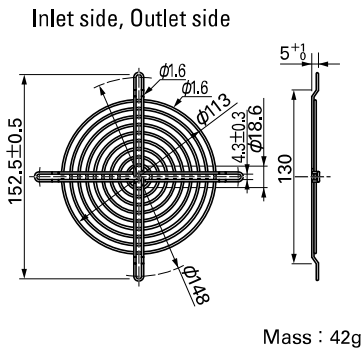


Resin Finger Guards

Model : 109-1000G

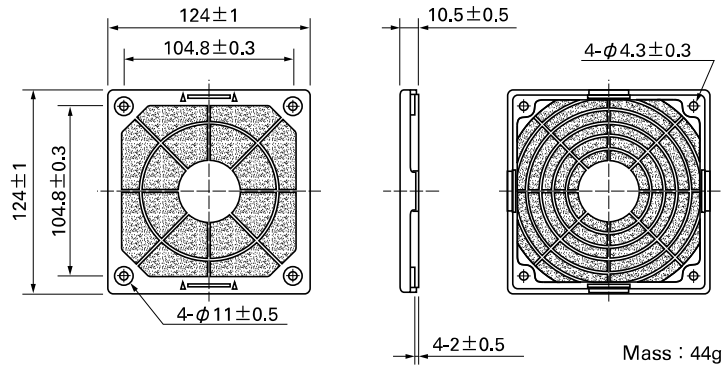


Model : 109-019E Surface treatment : Nickel-chrome plating (silver) Color : 109-019K : Cation electropainting (black)



Resin Filter Kits

Model : 109-1000F13 (13PPI), 109-1000F20 (20PPI) : 109-1000F30 (30PPI), 109-1000F40 (40PPI)

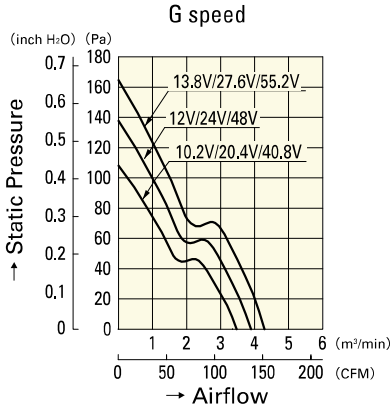


120 mm sq.

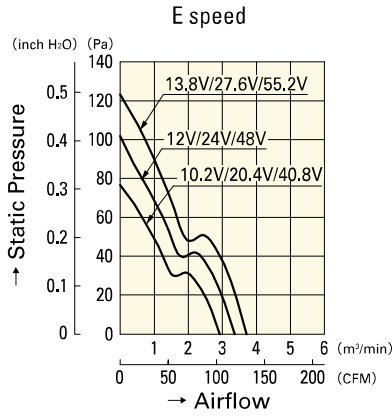
San Ace 120L

120×120×38mm [Mass : 370g]

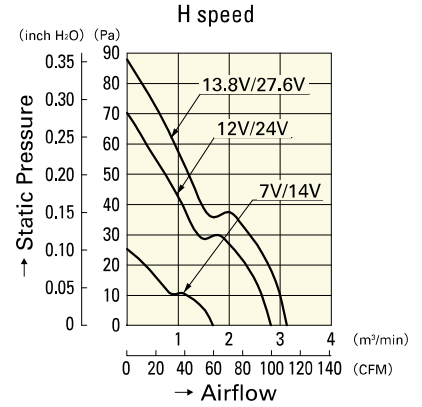
Airflow - Static Pressure Characteristics



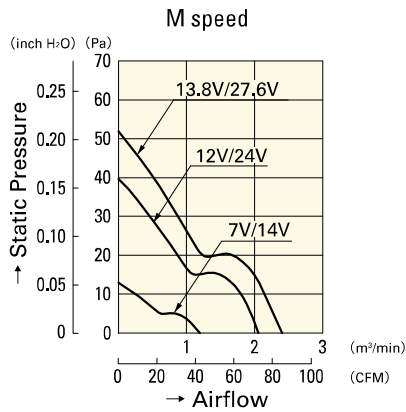
9GL1212G101
9GL1224G101
9GL1248G101



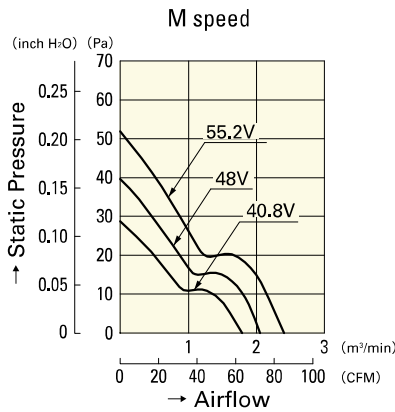
9GL1212E101
9GL1224E101
9GL1248E101



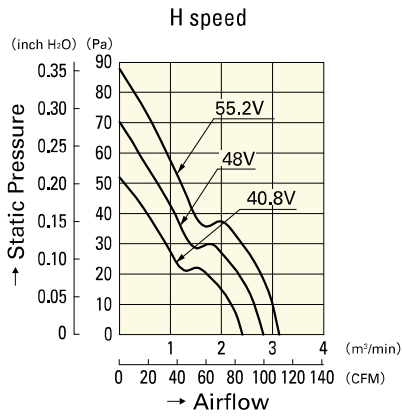
9GL1212H101
9GL1224H101



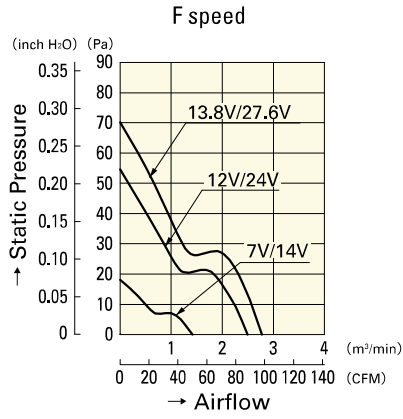
9GL1212M101
9GL1224M101



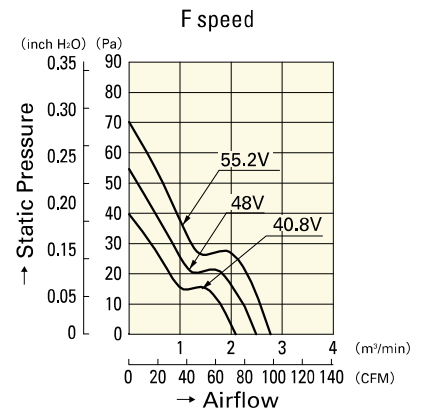
9GL1248M101



9GL1248H101



9GL1212F101
9GL1224F101



9GL1248F101