

**120**mm sq.

# San Ace 120L

38mm thick (9LB type)  
38mm thick (9GL type)



## General Specifications

- Material ..... Frame: Aluminum,  
Impeller: Plastics (Flammability: UL94V-1)
- Expected Life ..... Refer to specifications (L10:Survival rate: 90% at 60°C ,  
rated voltage, and continuously run in a free air state)
- Lead Wire ..... ⊕red ⊖black or blue (Sensor) yellow
- Storage Temperature ..... -30°C to +70°C (Non-condensing)

**120×120×38mm** (Mass : 370g) **9LB type**

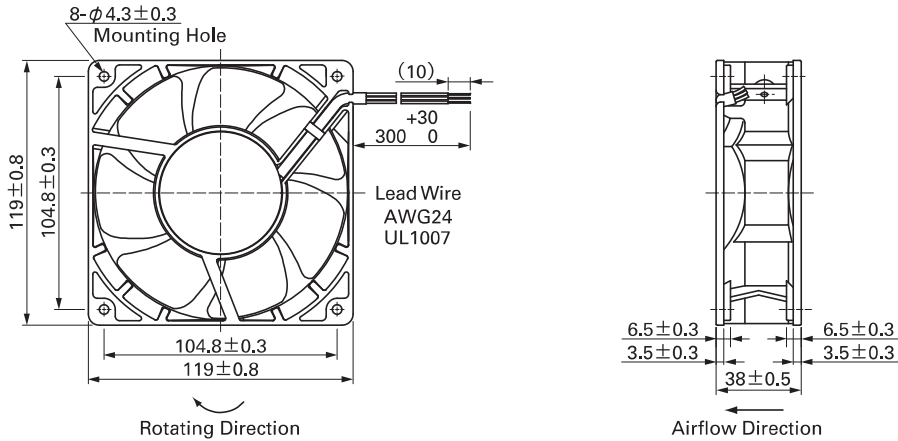
## Specifications

The following nos. **have pulse sensors.**

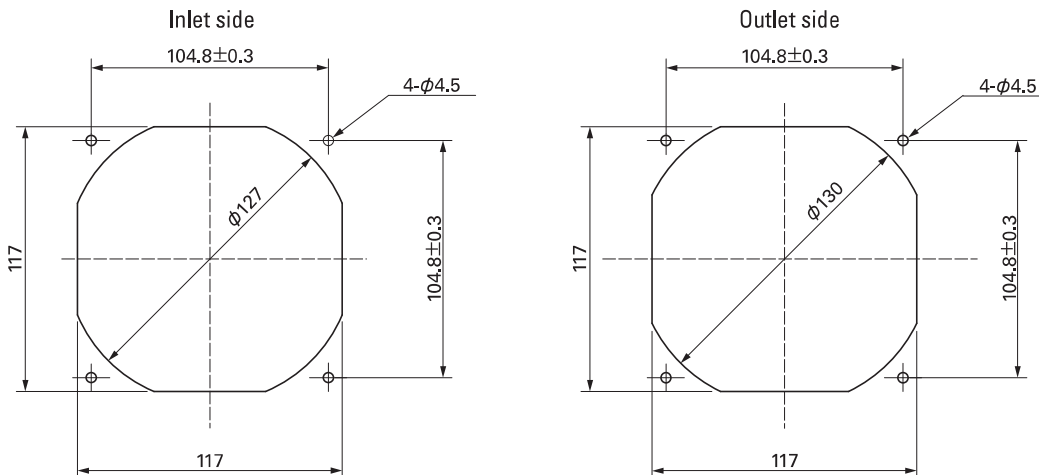
Model No.	Rated Voltage [V]	Operating Voltage Range [V]	Rated Current [A]	Rated Input [W]	Rated Speed [min <sup>-1</sup> ]	Max. Airflow [m <sup>3</sup> /min] [CFM]	Max. Static Pressure [Pa] [inchH <sub>2</sub> O]	SPL [dB(A)]	Operating Temperature [°C]	Expected Life [h]
9LB1212H101	12	10.2 to 13.8	0.39	4.68	2,600	2.9 102.4	67.62 0.272	39	- 20 to + 70	200,000
9LB1212M101			0.22	2.64	2,000	2.2 77.7	42.14 0.169	32		
9LB1224S101	24	20.4 to 27.6	0.46	11.04	3,500	3.88 137.0	120.8 0.485	48		100,000
9LB1224H101			0.19	4.56	2,600	2.9 102.4	67.62 0.272	39		
9LB1224M101			0.11	2.64	2,000	2.2 77.7	42.14 0.169	32		
9LB1248H101	48	40.8 to 55.2	0.11	5.28	2,600	2.9 102.4	67.62 0.272	39		200,000
9LB1248M101			0.06	2.88	2,000	2.2 77.7	42.14 0.169	32		

Some models can also be equipped without sensors or with PWM control functions as an option. Please refer to the index (pp. 417 to 437).

## Dimensions (unit : mm)



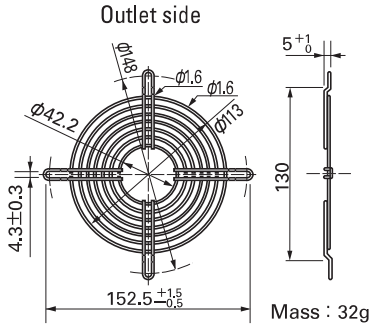
## Reference Dimension of Mounting Holes and Vent Opening (unit : mm)



## Options (unit : mm)

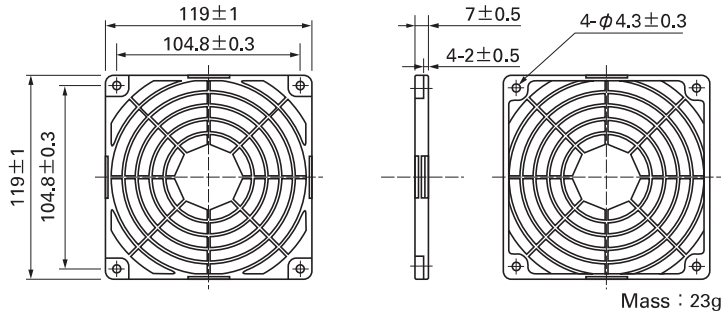
### Finger Guards

Model : 109-019C Surface treatment : Nickel-chrome plating (silver) Color : 109-019H : Cation electroplating (black)



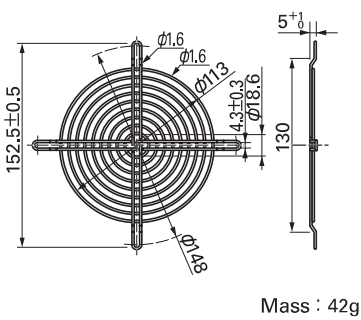
### Resin Finger Guards

Model : 109-1000G



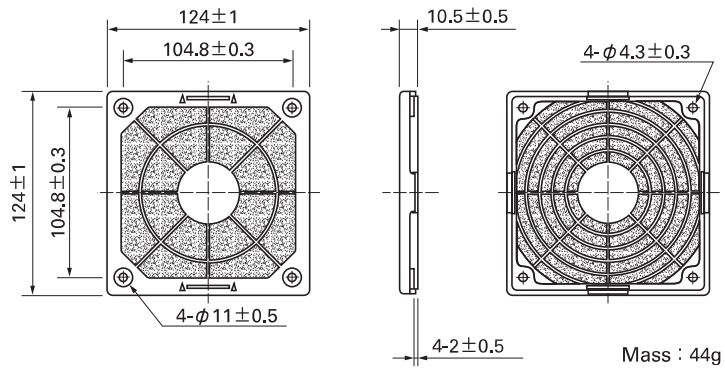
Model : 109-019E Surface treatment : Nickel-chrome plating (silver) Color : 109-019K : Cation electroplating (black)

### Inlet side, Outlet side

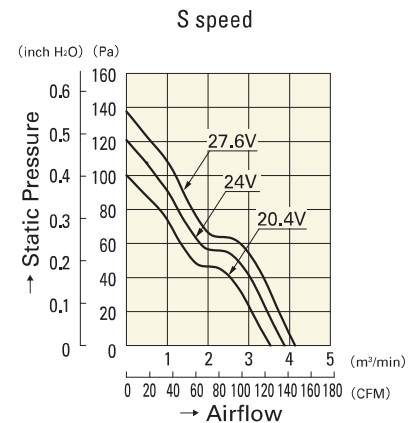
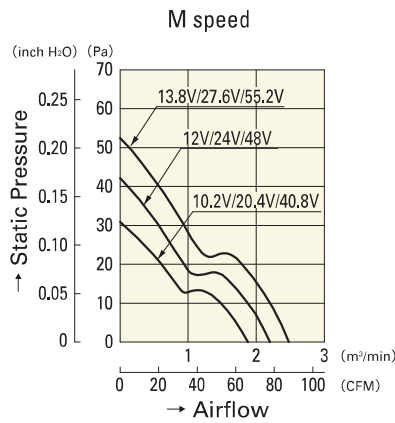
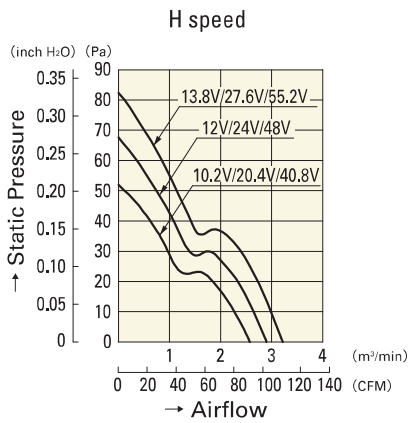


### Resin Filter Kits

Model : 109-1000F13 (13PPI), 109-1000F20 (20PPI)  
: 109-1000F30 (30PPI), 109-1000F40 (40PPI)



## Airflow - Static Pressure Characteristics



9LB1212H101

9LB1224H101

9LB1248H101

9LB1212M101

9LB1224M101

9LB1248M101

9LB1224S101

DC

Long Life Fan 120mm