

140mm sq.

San Ace 140L



Model no. 9LB1424B501, 9LB1448F501 are not certified.

General Specifications

- Material Frame: Aluminum,
Impeller: Plastics (Flammability: UL94V-1)
- Expected Life Refer to specifications (L10:Survival rate: 90% at 60°C ,
rated voltage, and continuously run in a free air state)
- Lead Wire ⊕red ⊖black or blue (Sensor) yellow
- Storage Temperature -30°C to +70°C (Non-condensing)

140×140×51mm (Mass : 610g) **9LB type**

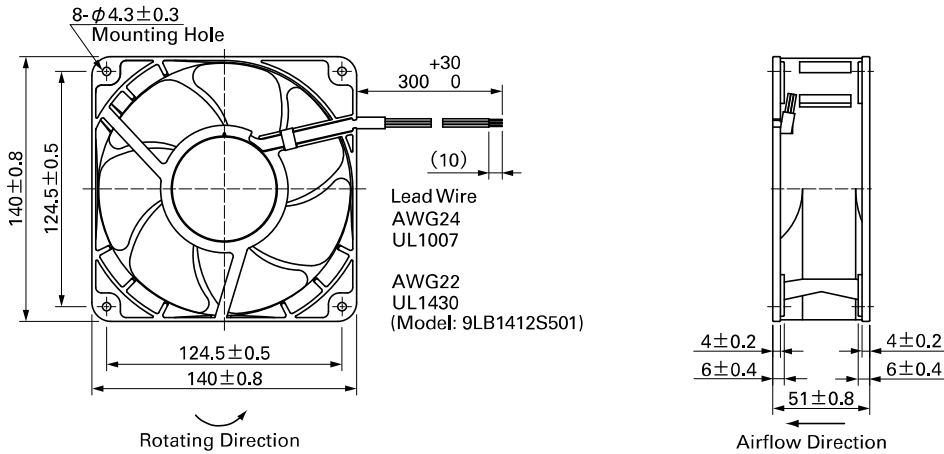
Specifications

The following nos. **have pulse sensors.**

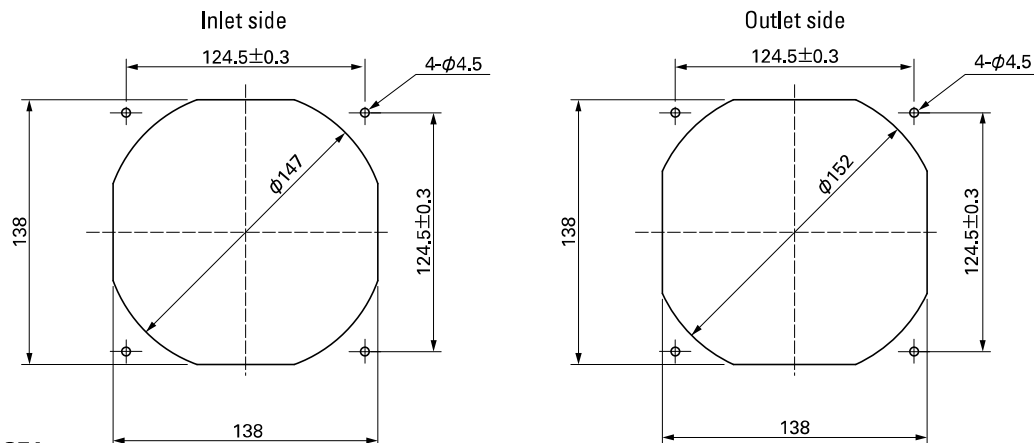
Model No.	Rated Voltage [V]	Operating Voltage Range [V]	Rated Current [A]	Rated Input [W]	Rated Speed [min ⁻¹]	Max. Airflow [m ³ /min] [CFM]	Max. Static Pressure [Pa] [inchH ₂ O]	SPL [dB(A)]	Operating Temperature [°C]	Expected Life [h]
9LB1412S501	12	10.2 to 13.8	2.7	32.4	4,200	8.1 286.2	240 0.96	57	- 20 to + 70	60,000/60°C
9LB1412H501			1.25	15.0	3,100	5.9 208.5	130 0.52	49		100,000/60°C
9LB1412M501			0.46	5.52	2,050	3.9 138	63 0.25	39		100,000/60°C
9LB1424S501	24	20.4 to 27.6	1.38	33.12	4,200	8.1 286.2	240 0.96	57		60,000/60°C
9LB1424B501			0.97	23.3	3,700	7.1 251	186 0.75	55		100,000/60°C
9LB1424H501			0.60	14.4	3,100	5.9 208.5	130 0.52	49		100,000/60°C
9LB1424M501			0.22	5.28	2,050	3.9 138	63 0.25	39		100,000/60°C
9LB1448S501	48	40.8 to 55.2	0.71	34.08	4,200	8.1 286.2	240 0.96	57		60,000/60°C
9LB1448H501			0.27	12.96	3,100	5.9 208.5	130 0.52	49		100,000/60°C
9LB1448F501			0.18	8.6	2,550	4.8 169	91 0.37	44		100,000/60°C
9LB1448M501			0.12	5.76	2,050	3.9 138	63 0.25	39	100,000/60°C	

Other sensor specifications are available as options. Please refer to the index (p. 509).

Dimensions (unit: mm)



Reference Dimensions of Mounting Holes and Vent Opening (unit: mm)



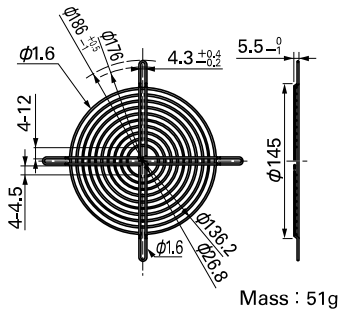
Options (unit: mm)

Finger Guards

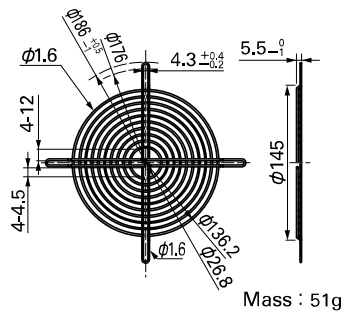
Model : 109-719 Surface treatment : Nickel-chrome plating (silver) Color

Model : 109-719H Surface treatment : Cation electropainting (black) Color

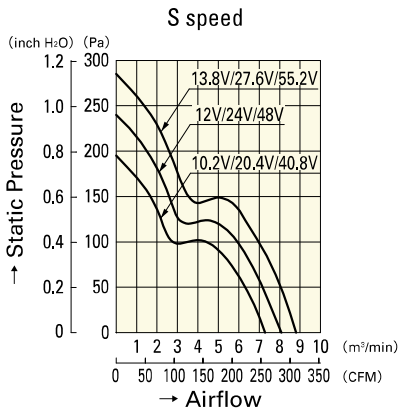
Inlet side, Outlet side



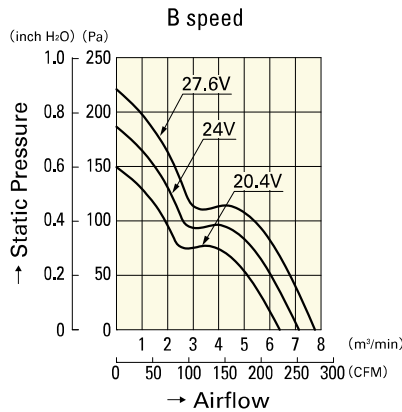
Inlet side, Outlet side



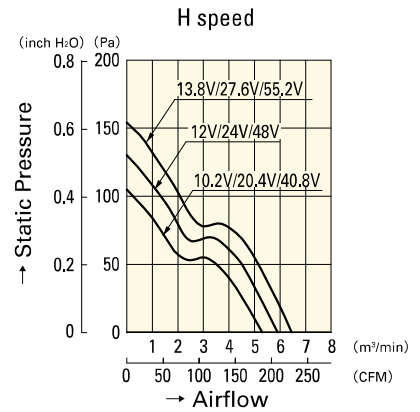
Airflow - Static Pressure Characteristics



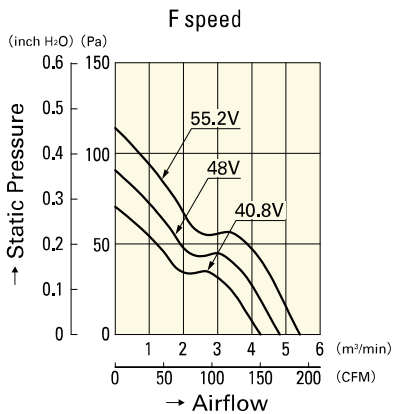
- 9LB1412S501**
- 9LB1424S501**
- 9LB1448S501**



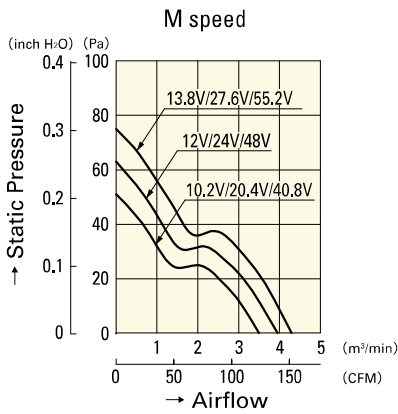
- 9LB1424B501**



- 9LB1412H501**
- 9LB1424H501**
- 9LB1448H501**



- 9LB1448F501**



- 9LB1412M501**
- 9LB1424M501**
- 9LB1448M501**

DC
Long Life Fan 140mm