

**60**mm sq.

# San Ace 60L



## General Specifications

- Material ..... Frame: Aluminum,  
Impeller: Plastics (Flammability: UL94V-1)
- Expected Life ..... Refer to specifications (L10:Survival rate:90% at 60°C ,  
rated voltage, and continuously run in a free air state)
- Lead Wire ..... Inlet ⊕ red ⊖ black (Sensor) yellow (Control) brown  
Outlet ⊕ orange ⊖ gray (Sensor) purple (Control) white
- Storage Temperature ..... -30°C to +70°C (Non-condensing)

**60×60×76**mm (Mass : 300g) **9CRL type** **Counter Rotating**



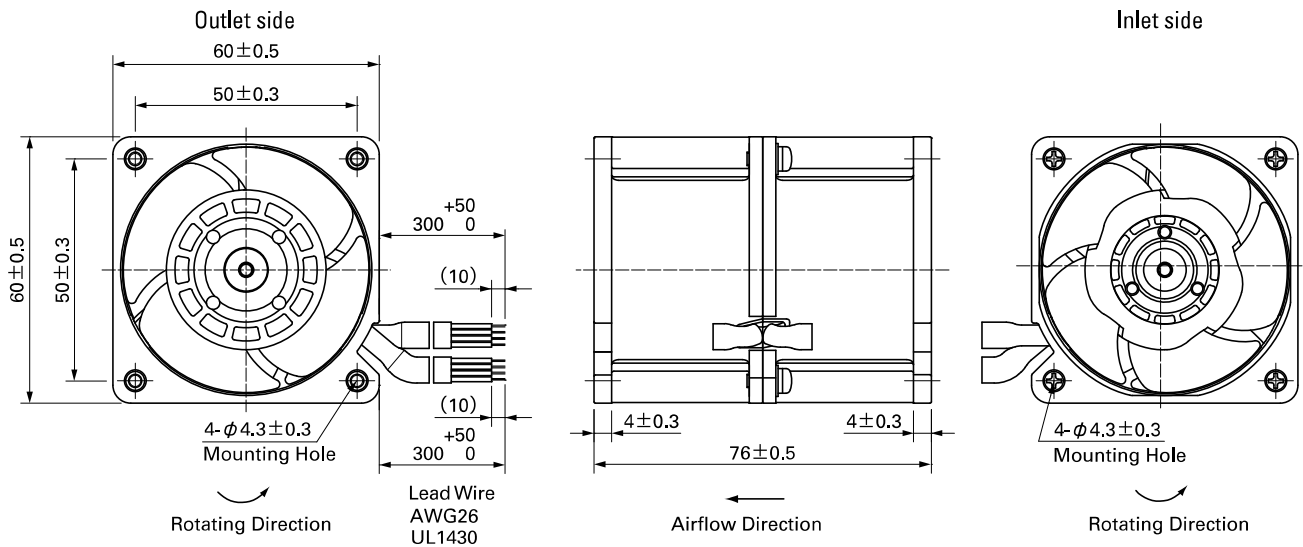
## Specifications

The following nos. **have PWM controls and pulse sensors.**

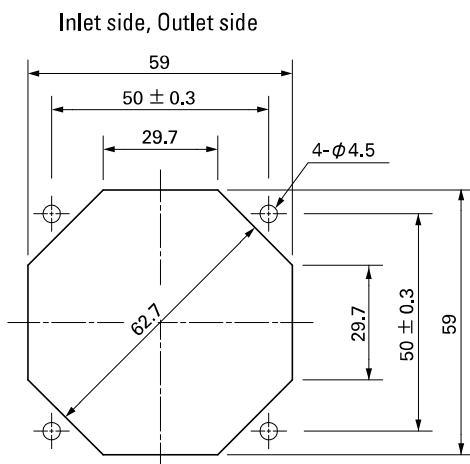
Model No.	Rated Voltage [V]	Operating Voltage Range [V]	PWM duty cycle* [%]	Rated Current [A]	Rated Input [W]	Rated Speed [min <sup>-1</sup> ]		Max. Airflow [m <sup>3</sup> /min] [CFM]		Max. Static Pressure [Pa] [inchH <sub>2</sub> O]		SPL [dB(A)]	Operating Temperature [°C]	Expected Life [h]
						Inlet	Outlet							
9CRL0612P0G001	12	10.8 to 13.2	100	2.3	27.6	16,500	13,000	2.0	70.6	1000	4.0	66	-20 to +70	130,000/60°C
			0	0.22	2.7	3,600	2,800	0.43	15.1	47.6	0.19	32		

\*PWM Frequency : 25kHz

## Dimensions (unit: mm)



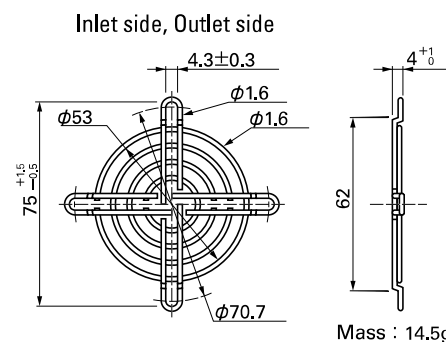
## Reference Dimensions of Mounting Holes and Vent Opening (unit: mm)



## Options (unit: mm)

### Finger Guards

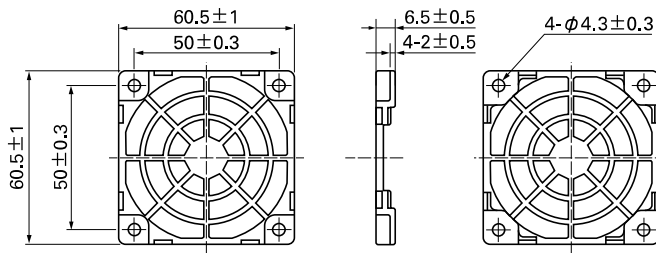
Model : 109-139E Surface treatment : Nickel-chrome plating (silver)  
: 109-139H : Cation electropainting (black)



**Options (unit: mm)**

**Resin Finger Guards**

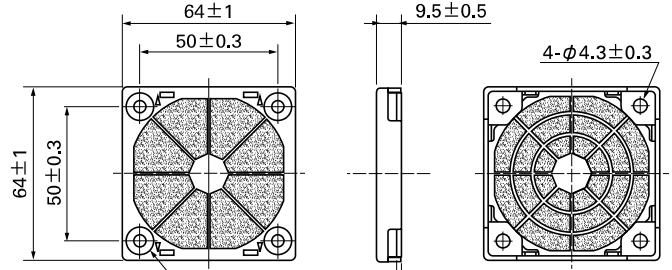
Model : 109-1003G



Mass : 7g

**Resin Filter Kits**

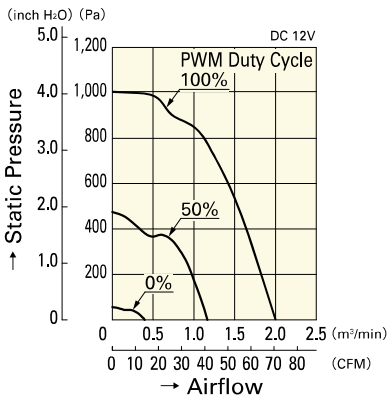
Model : 109-1003F13 (13PPI), 109-1003F20 (20PPI)  
: 109-1003F30 (30PPI), 109-1003F40 (40PPI)



Mass : 11g

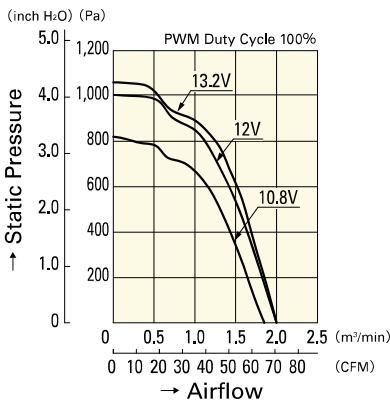
**Airflow - Static Pressure Characteristics**

**PWM Duty Cycle**



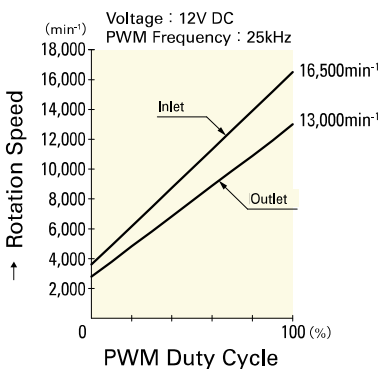
**9CRL0612P0G001**

**Operating Voltage Range**



**9CRL0612P0G001**

**PWM Duty - Speed Characteristics Example**



**9CRL0612P0G001**

**DC**  
**Long Life Fan 60mm**