

80mm sq.

San Ace 80L

25mm thick



General Specifications

- Material: Frame: Aluminum, Impeller: Plastics (Flammability: UL94V-1)
- Expected Life: Refer to specifications (L10:Survival rate:90% at 60°C, rated voltage, and continuously run in a free air state)
- Lead Wire: ⊕red ⊖black or blue (Sensor) yellow
- Storage Temperature: -30°C to +70°C (Non-condensing)

80×80×25mm [Mass : 150g]

Specifications

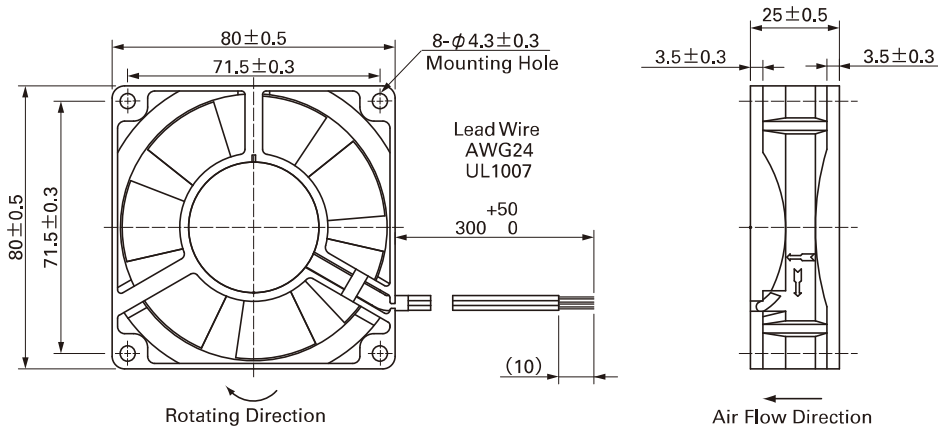
The following nos. have pulse sensors.

Model No.	Rated Voltage [V]	Operating Voltage Range [V]	Rated Current [A]	Rated Input [W]	Rated Speed [min ⁻¹]	Max. Air Flow [m ³ /min] [CFM]	Max. Static Pressure [Pa] [inchH ₂ O]	SPL [dB(A)]	Operating Temperature [°C]	Expected Life [h]
109L0812S401	12	10.2 to 13.8	0.26	3.12	3,400	1.2 42.4	50 0.2	37	- 20 to + 70	100,000
109L0812H401			0.18	2.16	3,000	1.06 37.4	39.2 0.157	32		
109L0812F401			0.14	1.68	2,700	0.93 32.8	32.3 0.130	29		
109L0812M401			0.1	1.2	2,400	0.83 29.3	26.5 0.106	26		
109L0812L401			0.08	0.96	1,900	0.63 22.2	16.7 0.067	22		
109L0824S401	24	20.4 to 27.6	0.11	2.64	3,400	1.2 42.4	50 0.2	37		
109L0824H401			0.09	2.16	3,000	1.06 37.4	39.2 0.157	32		
109L0824F401			0.08	1.92	2,700	0.93 32.8	32.3 0.130	29		
109L0824M401			0.07	1.68	2,400	0.83 29.3	26.5 0.106	26		
109L0824L401			0.05	1.2	1,900	0.63 22.2	16.7 0.067	22		
109L0848H401	48	40.8 to 55.2	0.06	2.88	3,150	1.1 38.8	43.1 0.173	34		

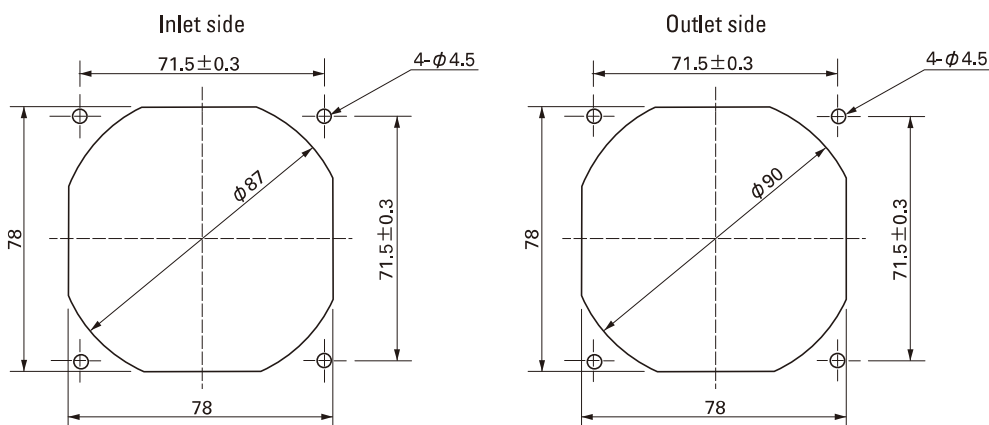
Available options: ⇒ Without Sensor

Please inquire as the availability of these functions depend on the model. ⇒ Lock Sensor Low speed Sensor

Dimensions (Unit : mm)



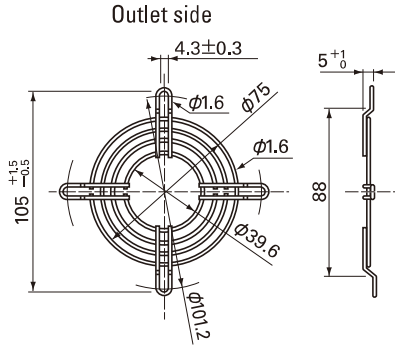
Reference dimension of mounting holes and vent opening (Unit : mm)



Options (Unit : mm)

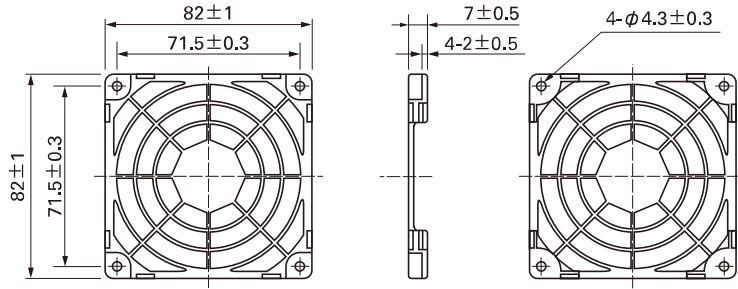
Finger guards

Model : 109-049C Surface treatment : Nickel-chrome plating (silver) Color

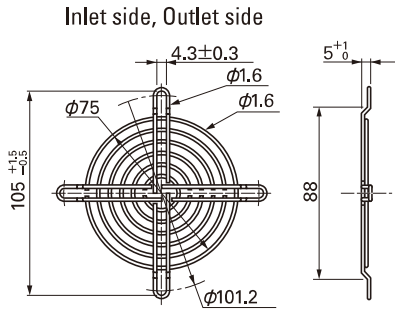


Resin Finger guards

Model : 109-1002G

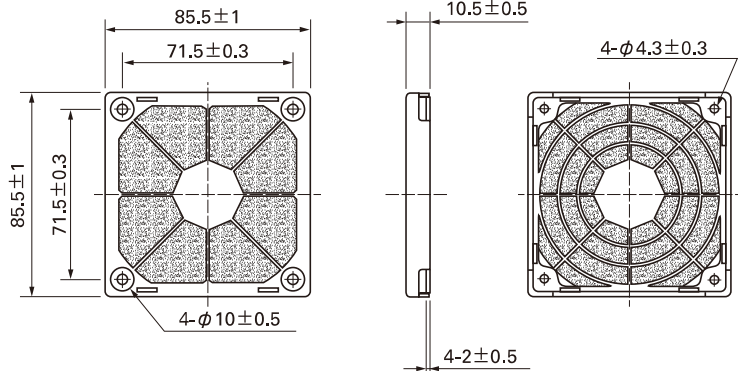


Model : 109-049E Surface treatment : Nickel-chrome plating (silver) Color
: 109-049H : Cation electropainting (black)

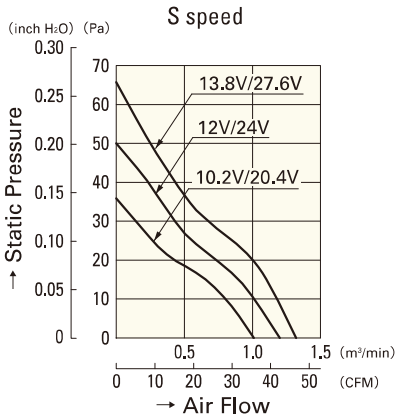


Resin filter kits

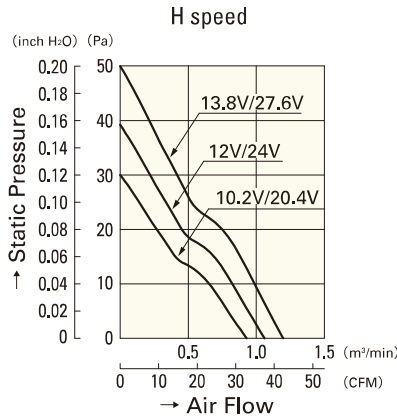
Model : 109-1002F13 (13PPI), 109-1002F20 (20PPI)
: 109-1002F30 (30PPI), 109-1002F40 (40PPI)



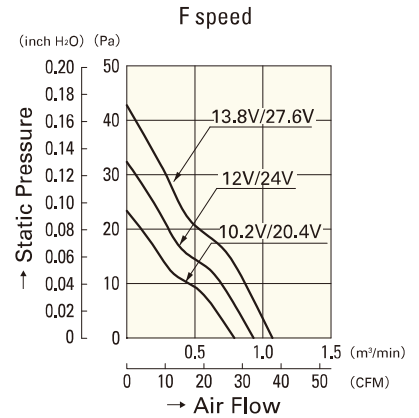
Air Flow - Static Pressure Characteristics



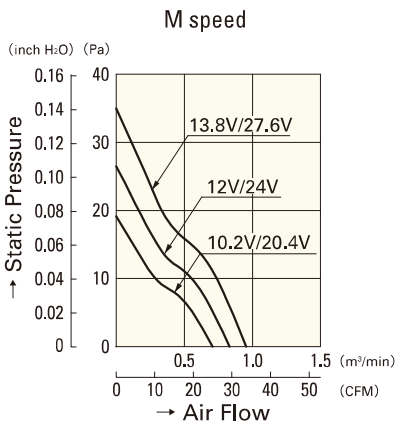
109L0812S401
109L0824S401



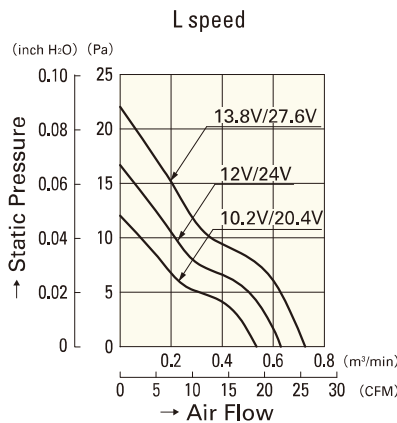
109L0812H401
109L0824H401



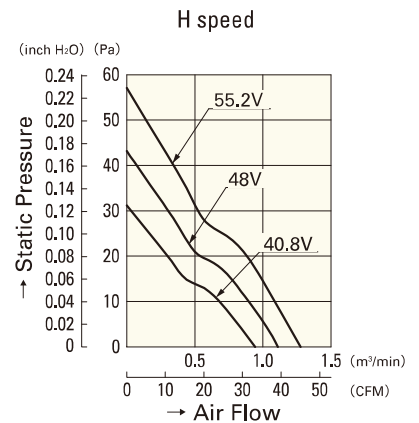
109L0812F401
109L0824F401



109L0812M401
109L0824M401



109L0812L401
109L0824L401



109L0848H401

Long Life Fan 80mm