

80 mm sq.

San Ace 80L



General Specifications

- Material Frame: Aluminum,
Impeller: Plastics (Flammability: UL94V-1)
- Expected Life Refer to specifications (L10:Survival rate:90% at 60°C ,
rated voltage, and continuously run in a free air state)
- Lead Wire Inlet ⊕ red ⊖ black (Sensor) yellow (Control) brown
Outlet ⊕ orange ⊖ gray (Sensor) purple (Control) white
- Storage Temperature -30°C to +70°C (Non-condensing)

80×80×80 mm (Mass : 490g) **9CRL type** **Counter Rotating**



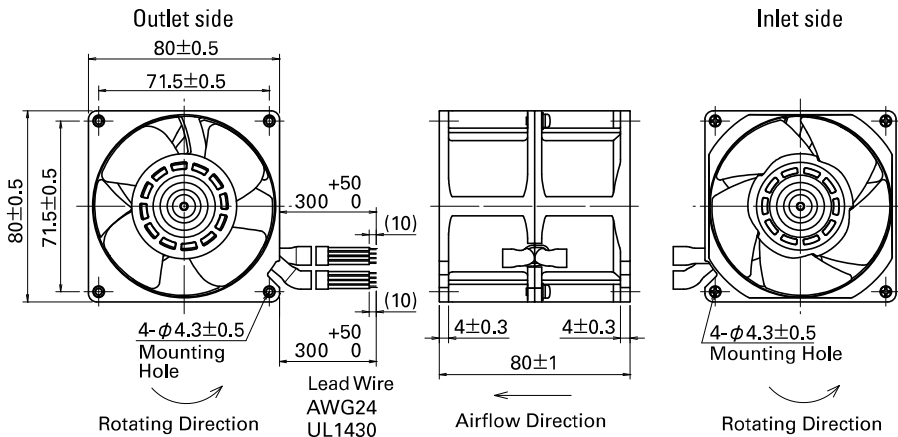
Specifications

The following nos. **have PWM controls and pulse sensors.**

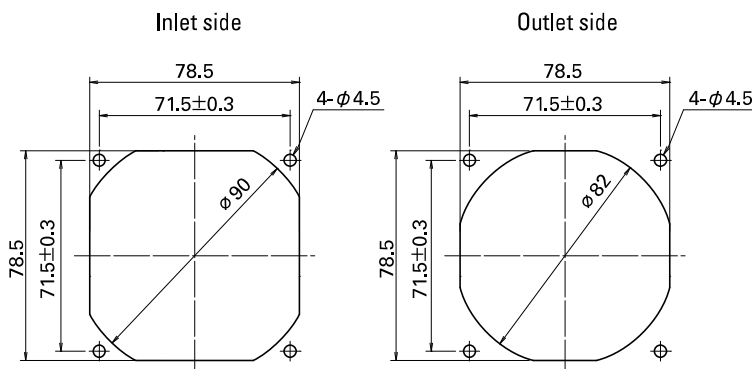
| Model No. | Rated Voltage [V] | Operating Voltage Range [V] | PWM duty cycle* [%] | | Rated Current [A] | Rated Input [W] | Rated Speed [min ⁻¹] | | Max. Airflow [m ³ /min] [CFM] | | Max. Static Pressure [Pa] [inchH ₂ O] | | SPL [dB(A)] | Operating Temperature [°C] | Expected Life [h] |
|-----------------------|-------------------|-----------------------------|---------------------|-----|-------------------|-----------------|----------------------------------|--------|--|-------|--|------|-------------|----------------------------|-------------------|
| | | | 100 | 0 | | | Inlet | Outlet | 4.5 | 158.9 | 1,150 | 4.62 | | | |
| 9CRL0812P8G001 | 12 | 10.8 to 13.2 | 100 | 5.3 | 63.6 | 12,000 | 11,300 | 4.5 | 158.9 | 1,150 | 4.62 | 76 | -20 to +70 | 130,000/60°C | |
| | | | 0 | 0.2 | 2.4 | 2,000 | 1,900 | 0.74 | 26.1 | 31.9 | 0.13 | 30 | | | |

*PWM Frequency : 25kHz

Dimensions (unit: mm)



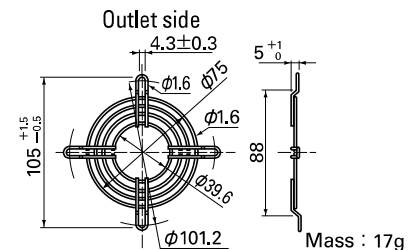
Reference Dimensions of Mounting Holes and Vent Opening (unit: mm)



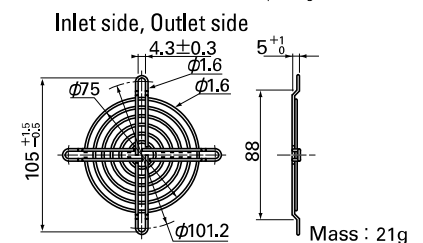
Options (unit: mm)

Finger Guards

Model : 109-049C Surface treatment : Nickel-chrome plating (silver) Color



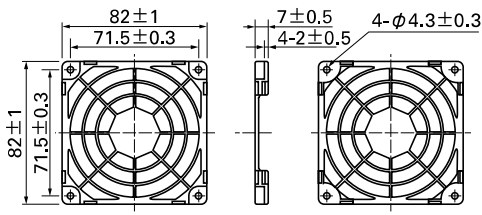
Model : 109-049E Surface treatment : Nickel-chrome plating (silver) Color
: 109-049H : Cation electropainting (black)



Options (unit: mm)

Resin Finger Guards

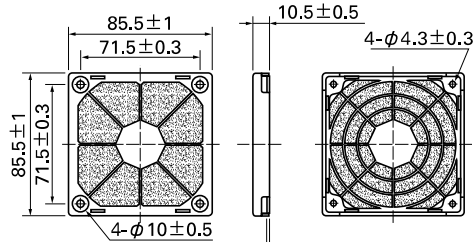
Model : 109-1002G



Mass : 10g

Resin Filter Kits

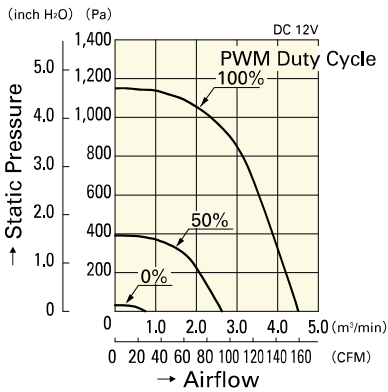
Model : 109-1002F13 (13PPI), 109-1002F20 (20PPI)
: 109-1002F30 (30PPI), 109-1002F40 (40PPI)



Mass : 19g

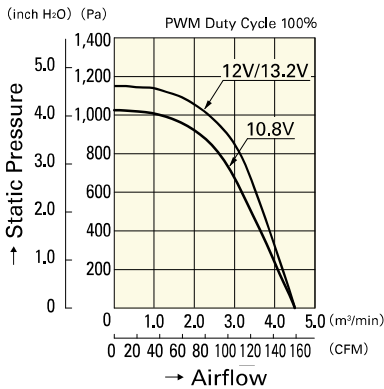
Airflow - Static Pressure Characteristics

PWM Duty Cycle



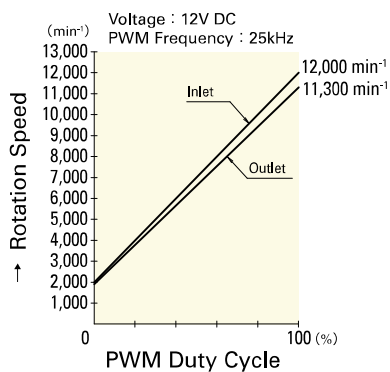
9CRL0812P8G001

Operating Voltage Range



9CRL0812P8G001

PWM Duty - Speed Characteristics Example



9CRL0812P8G001

DC
Long Life Fan 80mm