

92mm sq.

San Ace 92L



General Specifications

- Material Frame: Aluminum,
Impeller: Plastics (Flammability: UL94V-1)
- Expected Life Refer to specifications (L10:Survival rate:90% at 60°C ,
rated voltage, and continuously run in a free air state)
- Lead Wire ⊕red ⊖black (Sensor) yellow (Control) brown
- Storage Temperature -30°C to +70°C (Non-condensing)

92×92×38mm (Mass : 270g) **9LG type High Airflow**

Specifications

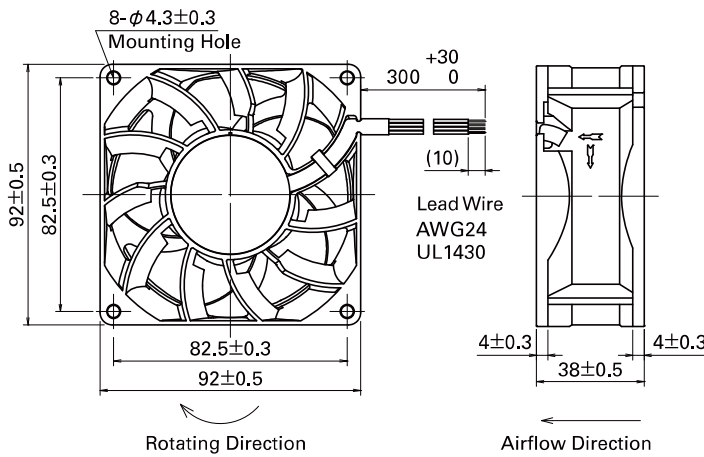
The following nos. have PWM controls and pulse sensors.

Model No.	Rated Voltage [V]	Operating Voltage Range [V]	PWM duty cycle ^{Normal} [%]	Rated Current [A]	Rated Input [W]	Rated Speed [min ⁻¹]	Max. Airflow [m ³ /min] [CFM]	Max. Static Pressure [Pa] [inchH ₂ O]	SPL [dB(A)]	Operating Temperature [°C]	Expected Life [h]
9LG0912P1H001	12	10.2 to 13.8	100	2.0	24.0	9,000	3.70 130.6	430 1.72	61	-20 to +70	180,000/60°C
			20	0.18	2.16	2,700	1.11 39.1	38.7 0.15	30		
9LG0912P1F001			100	1.0	12.0	7,000	2.90 102.4	263 1.05	55		
			20	0.11	1.32	2,000	0.83 29.3	21.5 0.08	22		
9LG0924P1H001	24	20.4 to 27.6	100	0.9	21.6	9,000	3.70 130.6	430 1.72	61		
			20	0.08	1.92	2,700	1.11 39.1	38.7 0.15	30		
9LG0924P1F001			100	0.5	12.0	7,000	2.90 102.4	263 1.05	55		
			20	0.06	1.44	2,000	0.83 29.3	21.5 0.08	22		

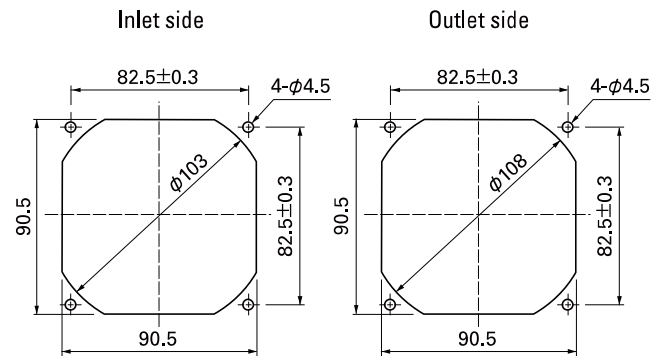
Note : Fan does not rotate when PWM duty cycle is 0%.

※PWM Frequency : 25kHz

Dimensions (unit: mm)



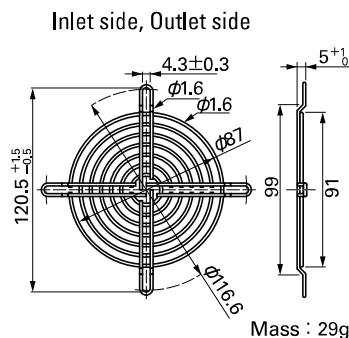
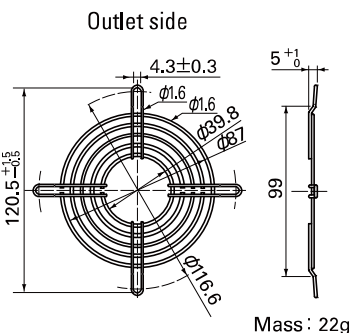
Reference Dimensions of Mounting Holes and Vent Opening (unit: mm)



Options (unit: mm)

Finger Guards

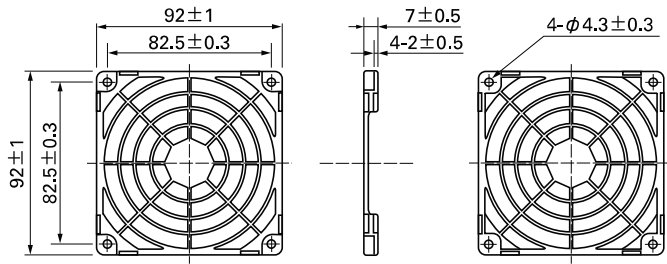
Model: 109-099C Surface treatment : Nickel-chrome plating (silver) Color: silver
 Model: 109-099E Surface treatment : Nickel-chrome plating (silver) Color: silver
 Model: 109-099H Surface treatment : Cation electropainting (black) Color: black



Options (unit: mm)

Resin Finger Guards

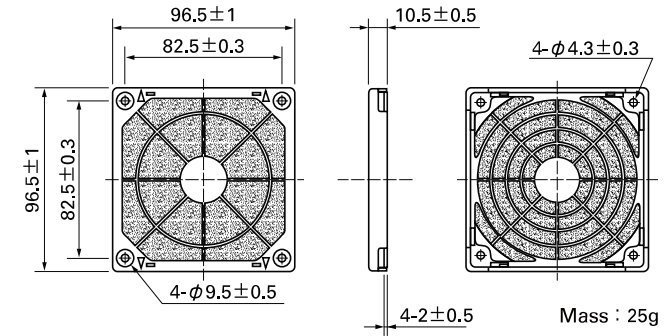
Model : 109-1001G



Mass : 12g

Resin Filter Kits

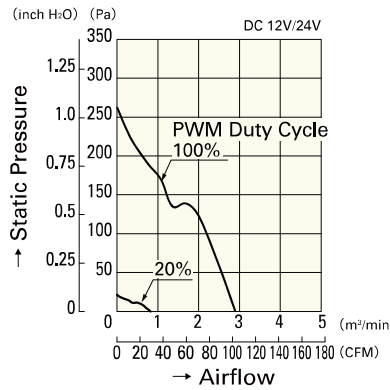
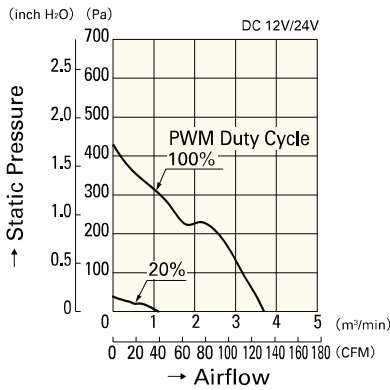
Model : 109-1001F13 (13PPI), 109-1001F20 (20PPI)
: 109-1001F30 (30PPI), 109-1001F40 (40PPI)



Mass : 25g

Airflow - Static Pressure Characteristics

PWM Duty Cycle



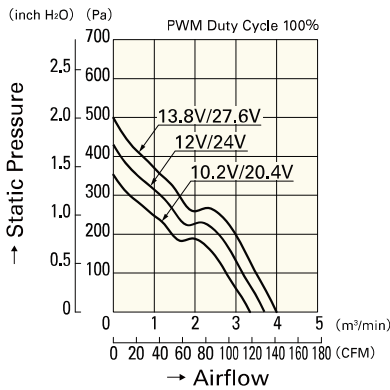
9LG0912P1H001

9LG0924P1H001

9LG0912P1F001

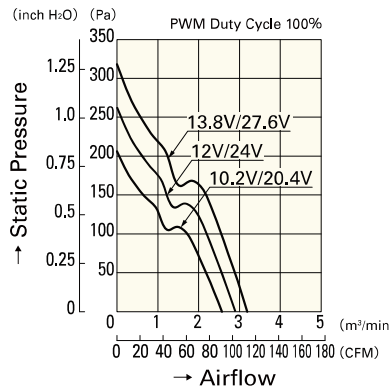
9LG0924P1F001

Operating Voltage Range



9LG0912P1H001

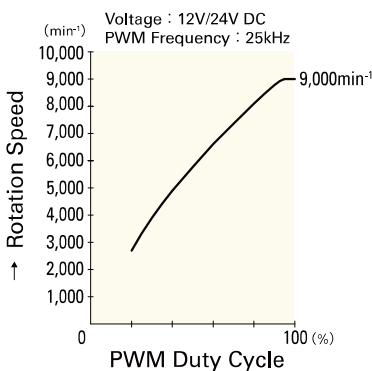
9LG0924P1H001



9LG0912P1F001

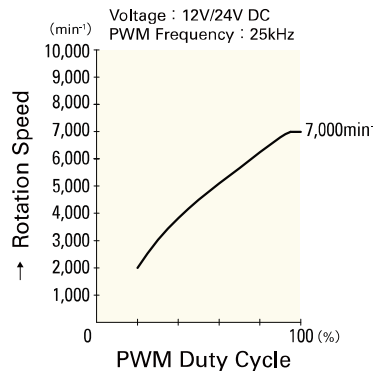
9LG0924P1F001

PWM Duty - Speed Characteristics Example



9LG0912P1H001

9LG0924P1H001



9LG0912P1F001

9LG0924P1F001

DC
Long Life Fan 92mm