

**120** mm sq.

# San Ace 120W



## General Specifications

- Material ..... Frame: Plastics (Flammability: UL94V-0),  
Impeller: Plastics (Flammability: UL94V-1)
- Expected Life ..... Refer to specifications (Indoor, L10:Survival rate: 90% at 60°C ,  
rated voltage, and continuously run in a free air state)
- Lead Wire ..... ⊕red ⊖black (Sensor) yellow
- Storage Temperature ..... -30°C to +70°C (Non-condensing)

**120×120×38mm** (Mass : 360g) **IP 68** **9WP** type

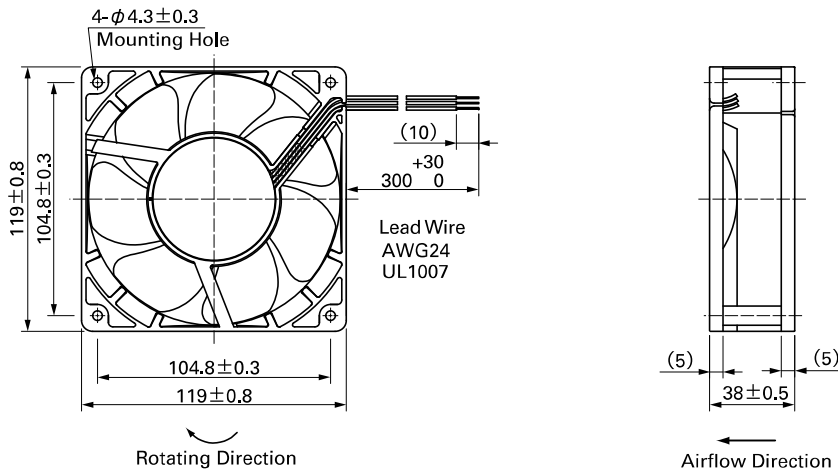
## Specifications

The following nos. **have pulse sensors and ribs.** For ribless, append "1" to the model no.

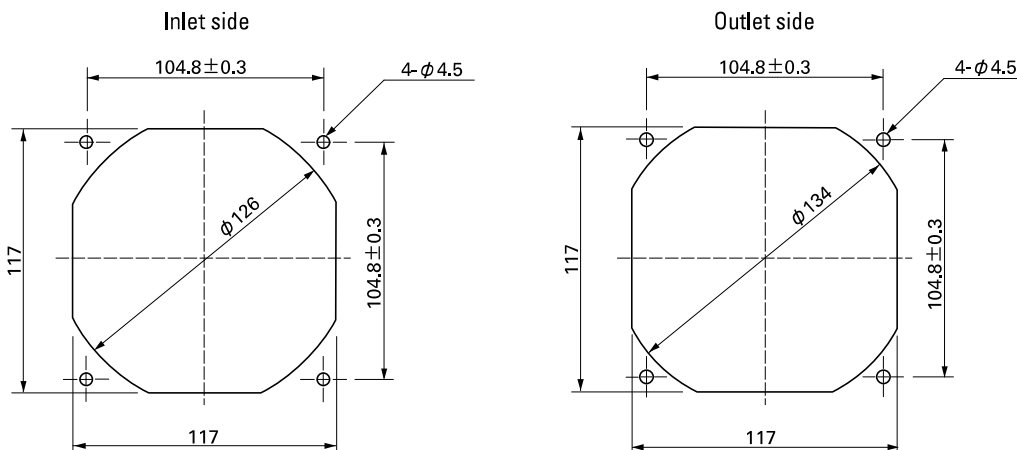
Model No.	Rated Voltage [V]	Operating Voltage Range [V]	Rated Current [A]	Rated Input [W]	Rated Speed [min <sup>-1</sup> ]	Max. Airflow [m <sup>3</sup> /min] [CFM]	Max. Static Pressure [Pa] [inchH <sub>2</sub> O]	SPL [dB(A)]	Operating Temperature [°C]	Expected Life [h]
<b>9WP1212H101</b>	12	7.0 to 13.8	0.38	4.56	2,600	2.80 99	70.4 0.283	39	- 20 to + 70	40,000/60°C
<b>9WP1212L101</b>		10.2 to 13.8	0.14	1.68	1,500	1.62 57.2	23.4 0.094	26		
<b>9WP1224H101</b>	24	14.0 to 27.6	0.22	5.28	2,600	2.80 99	70.4 0.283	39		
<b>9WP1248H101</b>	48	40.8 to 55.2	0.11	5.28	2,600	2.80 99	70.4 0.283	39		

Other sensor specifications are available as options. Please refer to the index (p. 512).

## Dimensions (unit: mm) (With ribs)



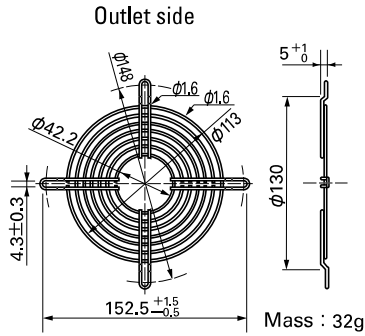
## Reference Dimensions of Mounting Holes and Vent Opening (unit: mm)



**Options (unit: mm)**

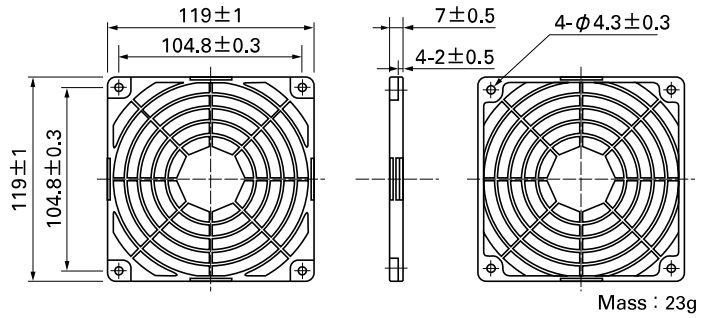
**Finger Guards**

Model : 109-019C Surface treatment : Nickel-chrome plating (silver) Color (silver)  
 : 109-019H : Cation electropainting (black)



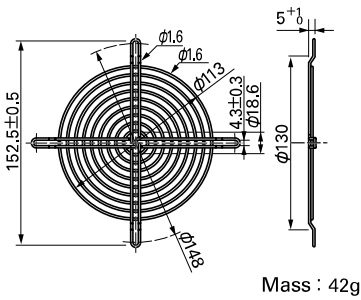
**Resin Finger Guards**

Model : 109-1000G



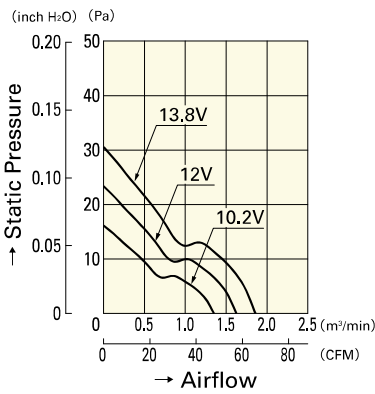
Model : 109-019E Surface treatment : Nickel-chrome plating (silver) Color (silver)  
 : 109-019K : Cation electropainting (black)

**Inlet side, Outlet side**



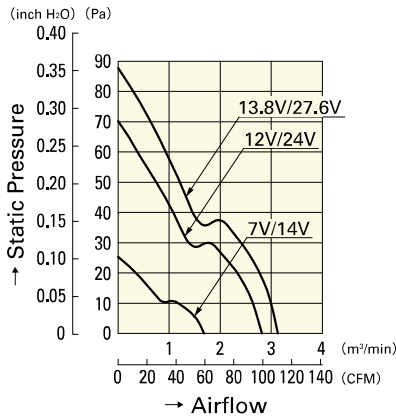
**Airflow - Static Pressure Characteristics**

L speed



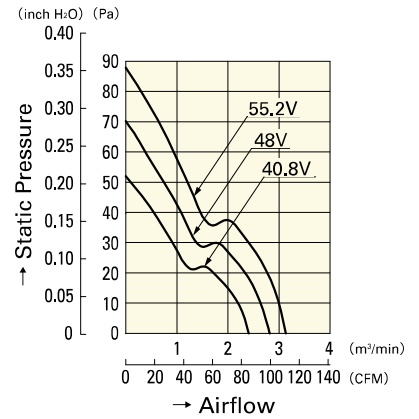
**9WP1212L101**

H speed



**9WP1212H101**  
**9WP1224H101**

H speed



**9WP1248H101**