

**140**mm sq.

# San Ace 140W



## General Specifications

- Material ..... Frame: Aluminum,  
Impeller: Plastics (Flammability: UL94V-1)
- Expected Life ..... Refer to specifications (Indoor, L10:Survival rate: 90% at 60°C ,  
rated voltage, and continuously run in a free air state)
- Lead Wire ..... ⊕red ⊖black or blue (Sensor) yellow
- Storage Temperature ..... -30°C to +70°C (Non-condensing)

**140×140×51mm** (Mass : 700g) **IP 68** **9WB type**

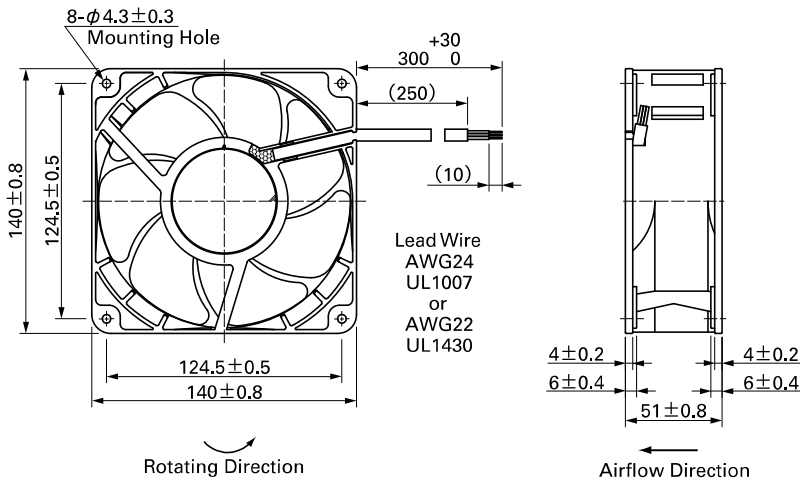
## Specifications

The following nos. have pulse sensors.

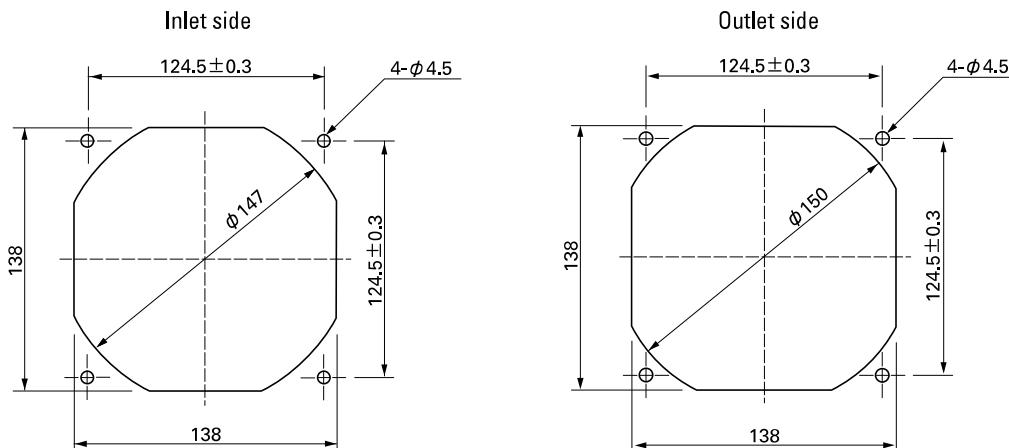
Model No.	Rated Voltage [V]	Operating Voltage Range [V]	Rated Current [A]	Rated Input [W]	Rated Speed [min <sup>-1</sup> ]	Max. Airflow [m <sup>3</sup> /min] [CFM]	Max. Static Pressure [Pa] [inchH <sub>2</sub> O]	SPL [dB(A)]	Operating Temperature [°C]	Expected Life [h]
9WB1412S501	12	10.2 to 13.8	2.7	32.4	4,200	8.1 286.2	240 0.96	57	- 20 to + 70	60,000/60°C
9WB1412H501			1.25	15	3,100	5.9 208.5	130 0.52	49		100,000/60°C
9WB1412M501			0.46	5.52	2,050	3.9 138	63 0.25	39		60,000/60°C
9WB1424H501	24	20.4 to 27.6	0.6	14.4	3,100	5.9 208.5	130 0.52	49		100,000/60°C
9WB1424M501			0.22	5.28	2,050	3.9 138	63 0.25	39		60,000/60°C
9WB1448S501	48	40.8 to 55.2	0.71	34.08	4,200	8.1 286.2	240 0.96	57		100,000/60°C
9WB1448H501			0.27	12.96	3,100	5.9 208.5	130 0.52	49	100,000/60°C	

Other sensor specifications are available as options. Please refer to the index (p. 511).

## Dimensions (unit: mm)



## Reference Dimensions of Mounting Holes and Vent Opening (unit: mm)



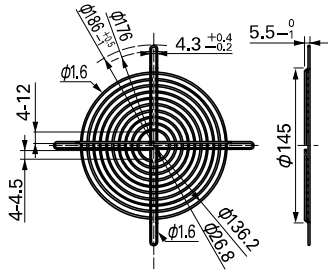
**Options (unit: mm)**

**Finger Guards**

Model : 109-719 Surface treatment : Nickel-chrome plating Color (silver)

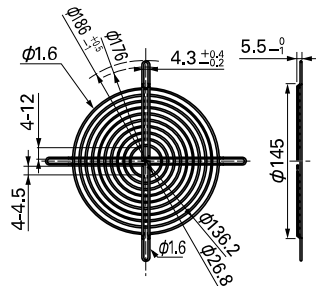
Model : 109-719H Surface treatment : Cation electropainting Color (black)

Inlet side, Outlet side



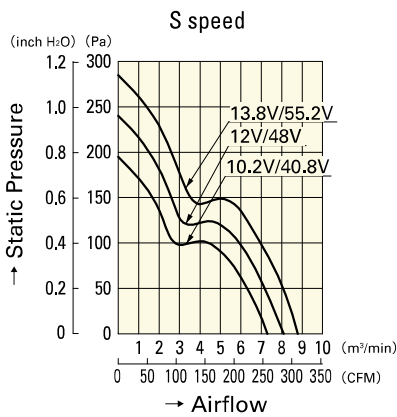
Mass : 51g

Inlet side, Outlet side

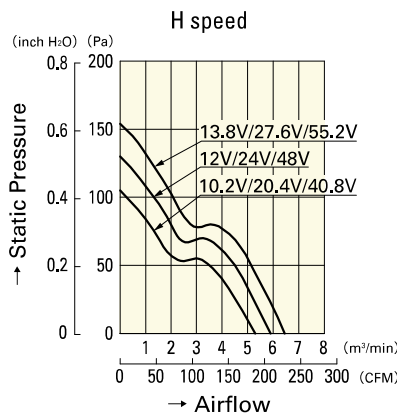


Mass : 51g

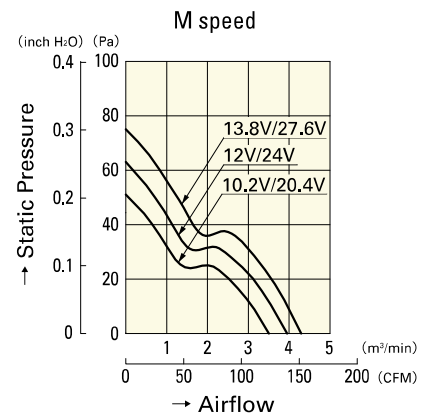
**Airflow - Static Pressure Characteristics**



- 9WB1412S501**
- 9WB1448S501**



- 9WB1412H501**
- 9WB1424H501**
- 9WB1448H501**



- 9WB1412M501**
- 9WB1424M501**

**DC**  
**Splash Proof Fan 140mm**