

# 60<sub>mm sq.</sub>

## San Ace 60W



### General Specifications

- Material ..... Frame: Plastics (Flammability: UL94V-0),  
Impeller: Plastics (Flammability: UL94V-1)
- Expected Life ..... Refer to specifications (Indoor, L10:Survival rate:90% at 60°C ,  
rated voltage, and continuously run in a free air state)
- Lead Wire ..... ⊕red ⊖black (Sensor) yellow
- Storage Temperature ..... -30°C to +70°C (Non-condensing)

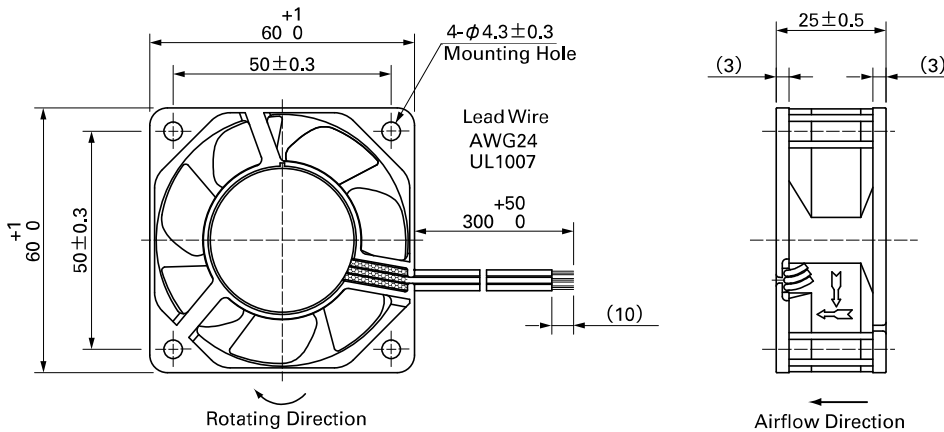
## 60×60×25mm (Mass : 110g) IP 68 9WP type

**Specifications** The following nos. **have pulse sensors and ribs.** For ribless, append "1" to the model no.

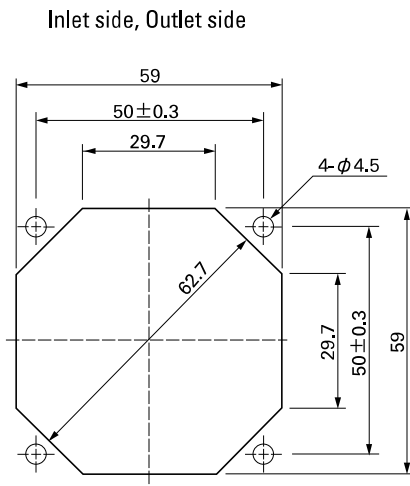
Model No.	Rated Voltage [V]	Operating Voltage Range [V]	Rated Current [A]	Rated Input [W]	Rated Speed [min <sup>-1</sup> ]	Max. Airflow [m <sup>3</sup> /min] [CFM]	Max. Static Pressure [Pa] [inchH <sub>2</sub> O]	SPL [dB(A)]	Operating Temperature [°C]	Expected Life [h]
9WP0612G401	12	10.2 to 13.2	0.21	2.52	5,600	0.78 27.5	87.3 0.351	39	-20 to +60	40,000/60°C
9WP0612D401			0.21	2.52	5,150	0.72 25	73.5 0.30	37		
9WP0612H401		10.2 to 13.8	0.11	1.32	3,800	0.53 18.7	40.2 0.161	28		
9WP0624J401	24	21.6 to 26.4	0.2	4.8	7,600	1.06 37.1	155.0 0.622	44	-20 to +60	40,000/60°C
9WP0624G401			0.13	3.12	5,600	0.78 27.5	87.3 0.351	39		
9WP0624H401		20.4 to 27.6	0.06	1.44	3,800	0.53 18.7	40.2 0.161	28		
9WP0648H401	48	40 to 53	0.04	1.92	3,800	0.53 18.7	40.2 0.161	28	-20 to +70	60,000/60°C

Other sensor specifications are available as options. Please refer to the index (p. 512).

### Dimensions (unit: mm) (With ribs)



### Reference Dimensions of Mounting Holes and Vent Opening (unit: mm)



**Options (unit: mm)**

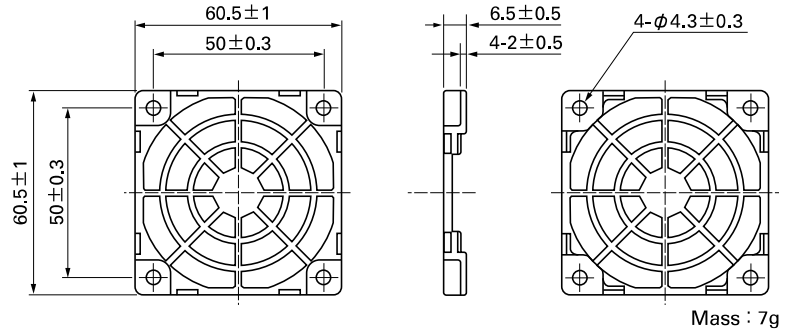
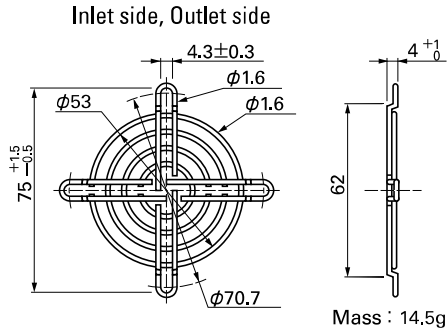
**Finger Guards**

Model : 109-139E Surface treatment : Nickel-chrome plating (silver)  
 : 109-139H : Cation electropainting (black)

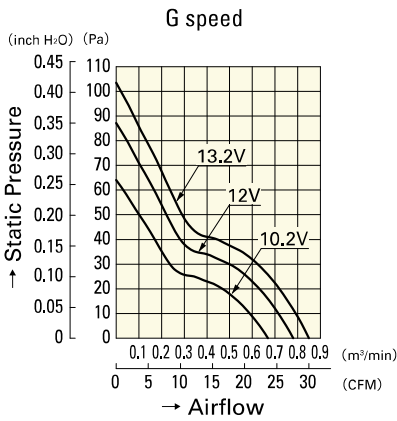
Color

**Resin Finger Guards**

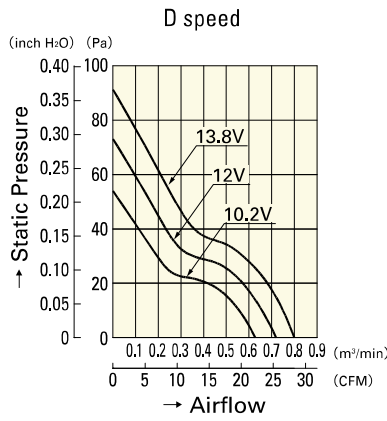
Model : 109-1003G



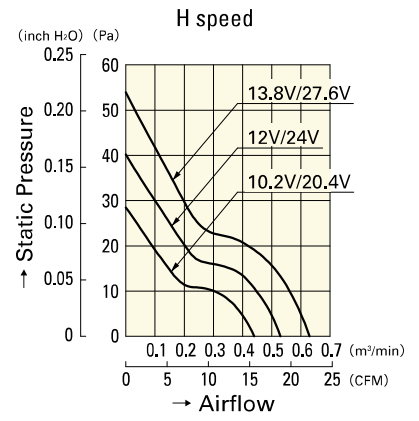
**Airflow - Static Pressure Characteristics**



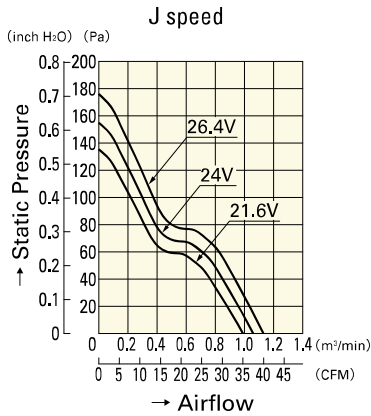
**9WP0612G401**



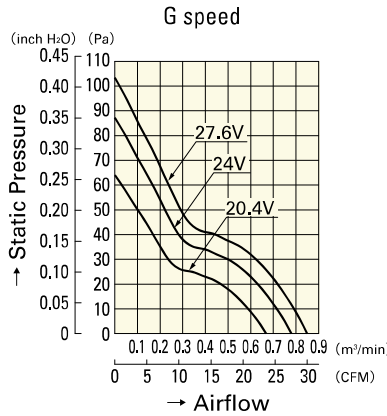
**9WP0612D401**



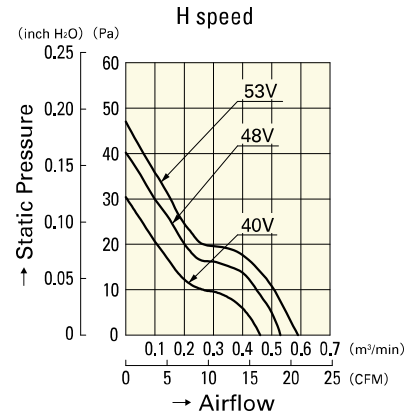
**9WP0612H401**  
**9WP0624H401**



**9WP0624J401**



**9WP0624G401**



**9WP0648H401**