

**80** mm sq.

# San Ace 80W



## General Specifications

- Material ..... Frame: Aluminum (Black coating),  
Impeller: Plastics (Flammability: UL94V-1)
- Expected Life ..... Refer to specifications (Indoor, L10: Survival rate: 90% at 60°C ,  
rated voltage, and continuously run in a free air state)
- Lead Wire ..... ⊕ red ⊖ black (Sensor) yellow (Control) brown
- Storage Temperature ..... -30°C to +70°C (Non-condensing)

**80×80×25**mm [Mass : 150g]

**IP68**

**9WL** type

**High Airflow Long Life Fan**



## Specifications The following nos. have PWM controls and pulse sensors.

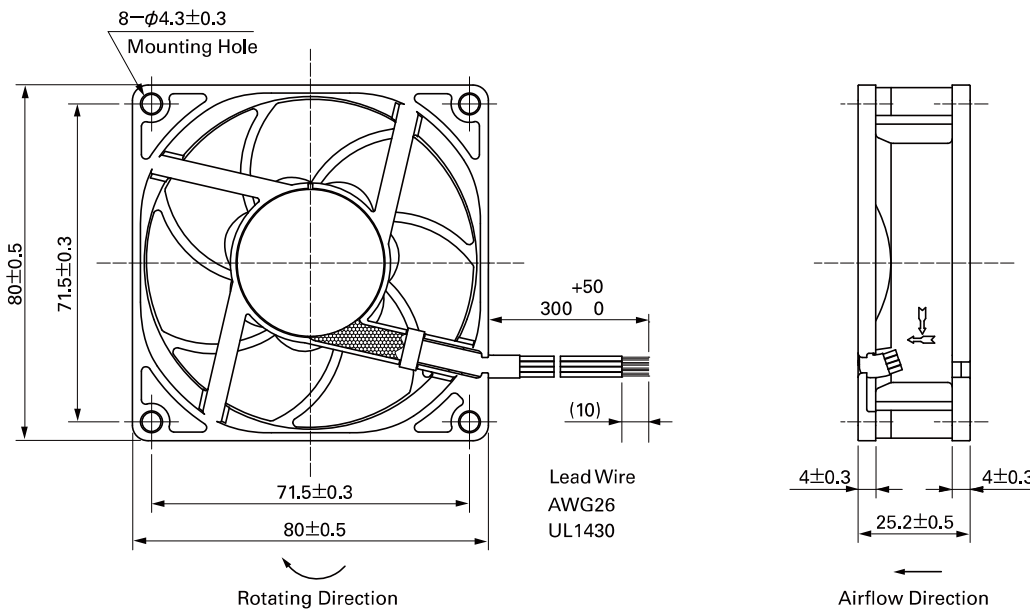
Model No.	Rated Voltage [V]	Operating Voltage Range [V]	PWM duty cycle <sup>Meis</sup> [%]	Rated Current [A]	Rated Input [W]	Rated Speed [min <sup>-1</sup> ]	Max. Airflow [m <sup>3</sup> /min] [CFM]	Max. Static Pressure [Pa] [inchH <sub>2</sub> O]	SPL [dB(A)]	Operating Temperature [°C]	Expected Life [h]
9WL0812P4J001	12	10.8 to 13.2	100	0.6	7.2	7,400	2.07 73.0	177 0.71	49	-20 to +70	180,000/60°C
			20	0.06	0.72	1,800	0.50 17.6	10.4 0.04	16		
9WL0812P4G001			100	0.30	3.60	5,500	1.54 54.3	98 0.39	43		
			25	0.05	0.60	1,400	0.39 13.7	6.3 0.02	14		
9WL0812P4H001			100	0.12	1.44	3,700	1.03 36.3	44 0.17	31		
			25	0.04	0.48	1,100	0.30 10.5	3.9 0.01	13		
9WL0824P4J001	24	21.6 to 26.4	100	0.28	6.72	7,400	2.07 73.0	177 0.71	49		
			20	0.05	1.20	2,400	0.67 23.6	18.6 0.07	22		
9WL0824P4G001			100	0.14	3.36	5,500	1.54 54.3	98 0.39	43		
			20	0.02	0.48	1,200	0.33 11.6	4.6 0.01	13		
9WL0824P4H001			100	0.05	1.2	3,700	1.03 36.3	44 0.17	31		
			30	0.02	0.48	1,100	0.30 10.5	3.9 0.01	13		

Note : Fan does not rotate when PWM duty cycle is 0%.

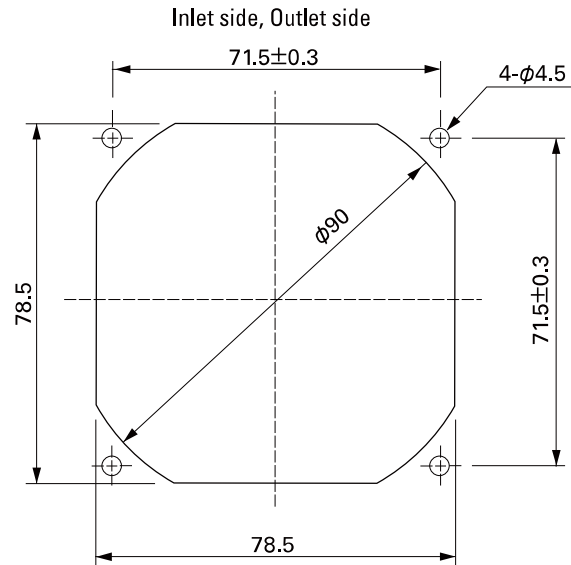
※PWM Frequency : 25kHz

Other sensor specifications are available as options. Please refer to the index (pp. 511 to 512).

## Dimensions (unit: mm)



**Reference Dimensions of Mounting Holes and Vent Opening (unit: mm)**

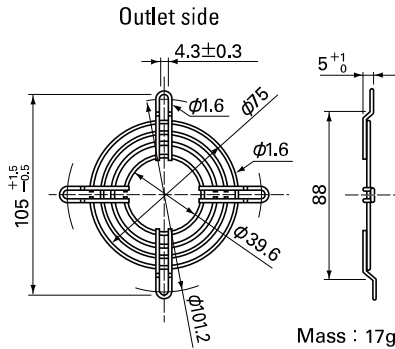


**Options (unit: mm)**

**Finger Guards**

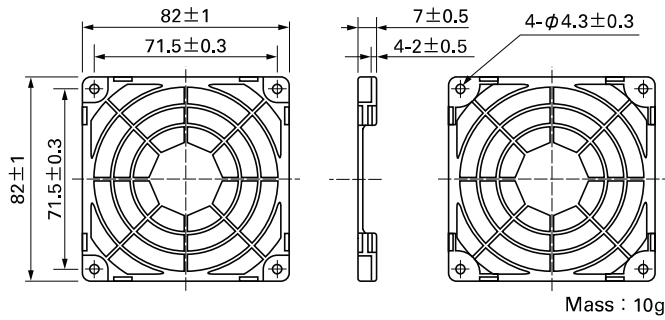
Model : 109-049C Surface treatment : Nickel-chrome plating (silver)

Color



**Resin Finger Guards**

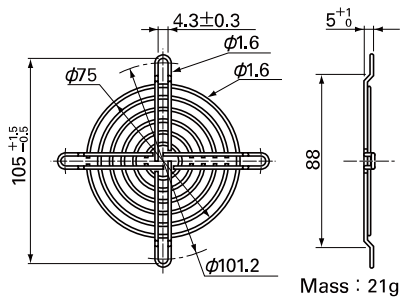
Model : 109-1002G



Model : 109-049E Surface treatment : Nickel-chrome plating (silver)  
 : 109-049H : Cation electropainting (black)

Color

**Inlet side, Outlet side**



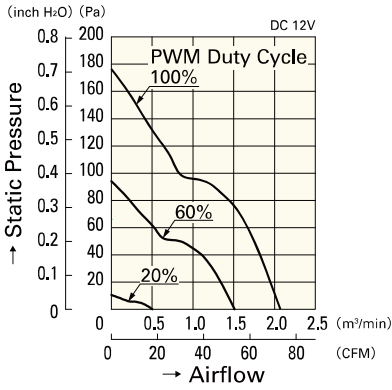
**80**mm sq.

**San Ace 80W**

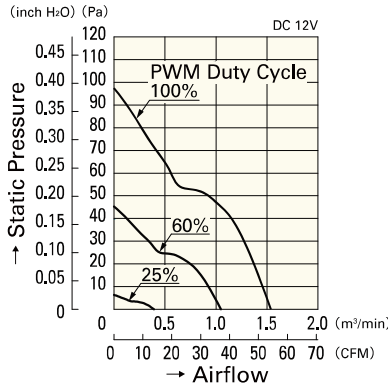
**80×80×25mm** [Mass : 150g]

**Airflow - Static Pressure Characteristics**

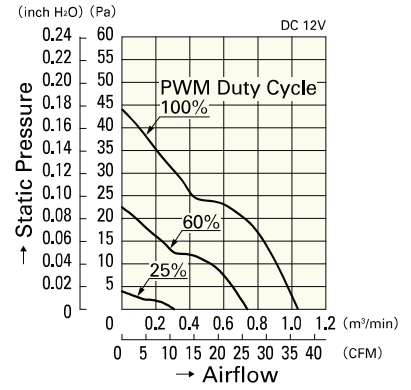
**PWM Duty Cycle**



**9WL0812P4J001**

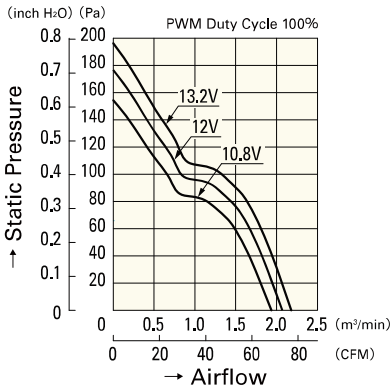


**9WL0812P4G001**

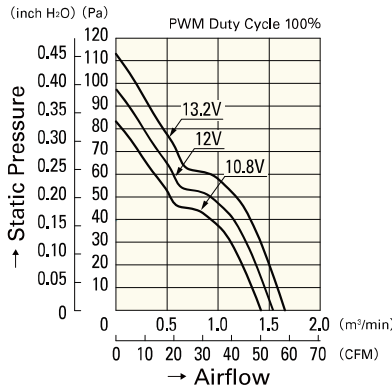


**9WL0812P4H001**

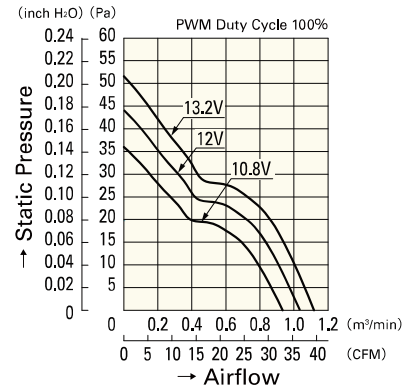
**Operating Voltage Range**



**9WL0812P4J001**

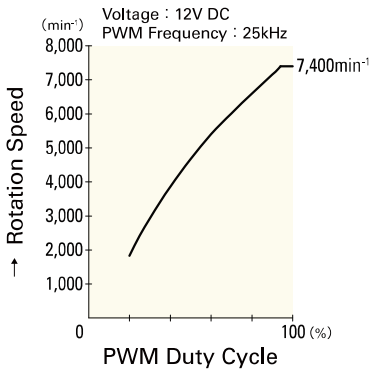


**9WL0812P4G001**

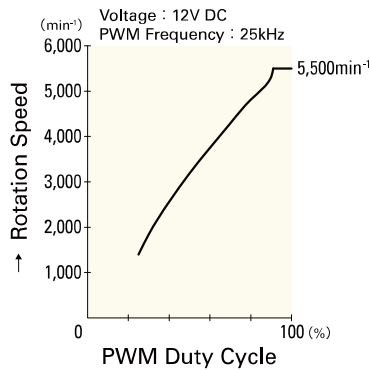


**9WL0812P4H001**

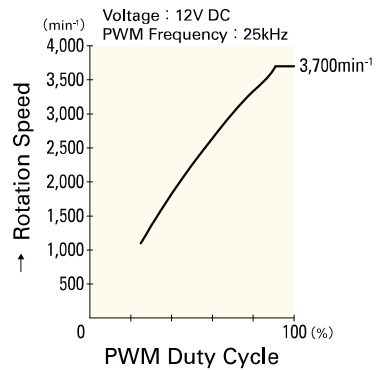
**PWM Duty - Speed Characteristics Example**



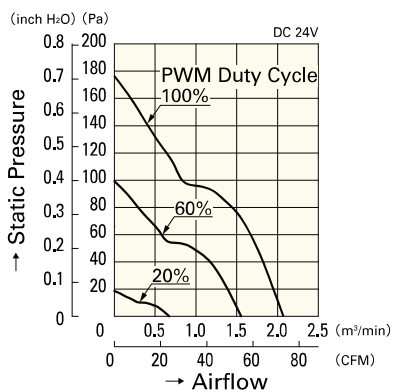
**9WL0812P4J001**



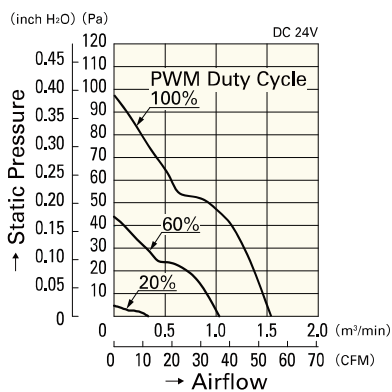
**9WL0812P4G001**



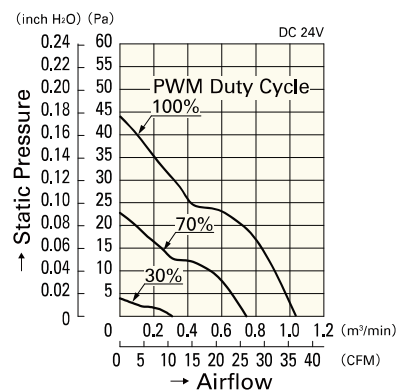
**9WL0812P4H001**



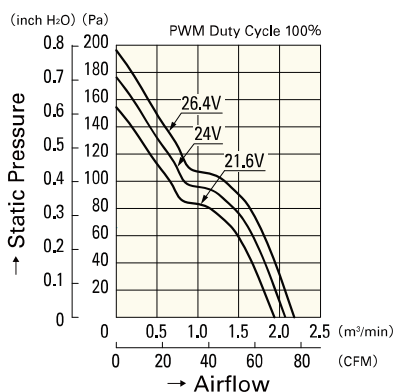
**9WL0824P4J001**



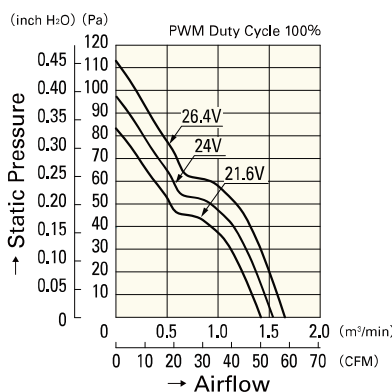
**9WL0824P4G001**



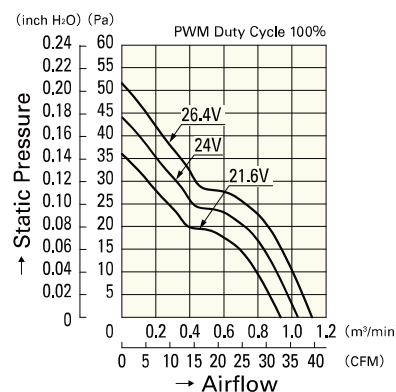
**9WL0824P4H001**



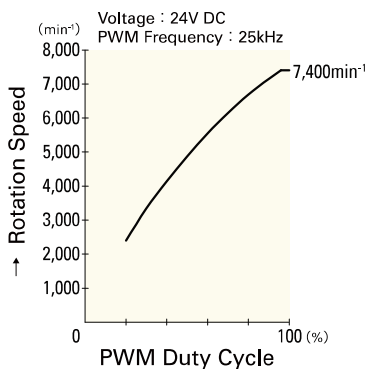
**9WL0824P4J001**



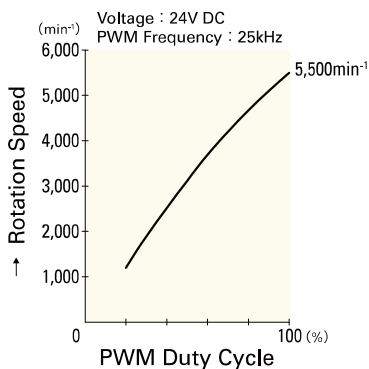
**9WL0824P4G001**



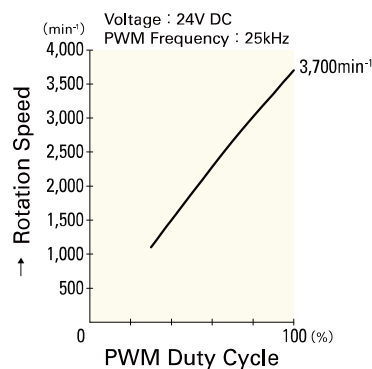
**9WL0824P4H001**



**9WL0824P4J001**



**9WL0824P4G001**



**9WL0824P4H001**