

**80** mm sq.

# San Ace 80WS



## General Specifications

- Material ..... Frame: Plastics (Flammability: UL94V-0),  
Impeller: Plastics (Flammability: UL94V-1)
- Expected Life ..... Refer to specifications (Indoor, L10:Survival rate: 90% at 60°C ,  
rated voltage, and continuously run in a free air state)
- Lead Wire ..... ⊕red ⊖black or blue (Sensor) yellow
- Storage Temperature ..... -30°C to +70°C (Non-condensing)

**80×80×25** mm [Mass : 120g] **IP 54** **9WS** type

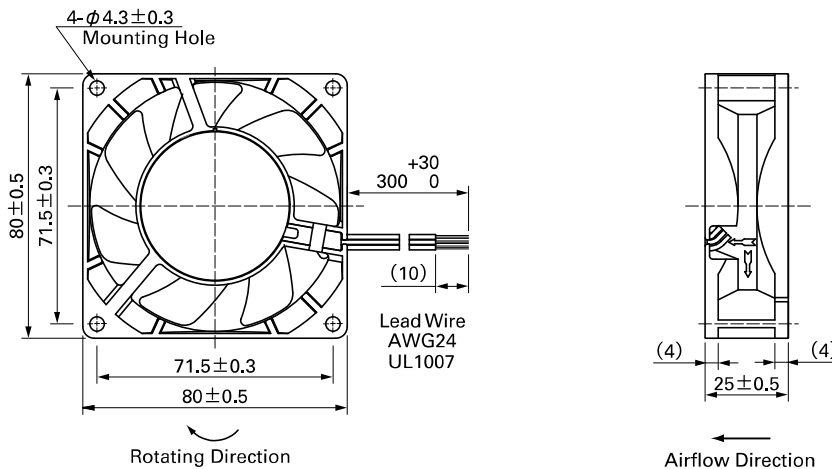
## Specifications

The following nos. **have pulse sensors and ribs**. For ribless, append "1" to the model no.

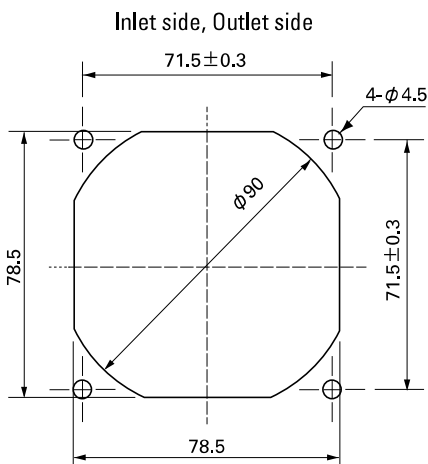
Model No.	Rated Voltage [V]	Operating Voltage Range [V]	Rated Current [A]	Rated Input [W]	Rated Speed [min <sup>-1</sup> ]	Max. Airflow [m <sup>3</sup> /min] [CFM]	Max. Static Pressure [Pa] [inchH <sub>2</sub> O]	SPL [dB(A)]	Operating Temperature [°C]	Expected Life [h]	
9WS0812H401	12	10.2 to 13.8	0.16	1.92	3,100	0.94	33.2	45.1	0.181	- 20 to + 70	40,000/60°C
9WS0812F401			0.13	1.56	2,700	0.83	29.3	34.3	0.138		
9WS0812M401			0.1	1.2	2,200	0.65	23.0	23.5	0.094		
9WS0824H401	24	20.4 to 27.6	0.09	2.16	3,100	0.94	33.2	45.1	0.181		
9WS0824F401			0.07	1.68	2,700	0.83	29.3	34.3	0.138		
9WS0824M401			0.05	1.2	2,200	0.65	23.0	23.5	0.094		

Other sensor specifications are available as options. Please refer to the index (pp. 512 to 513).

## Dimensions (unit: mm) (With ribs)



## Reference Dimensions of Mounting Holes and Vent Opening (unit: mm)



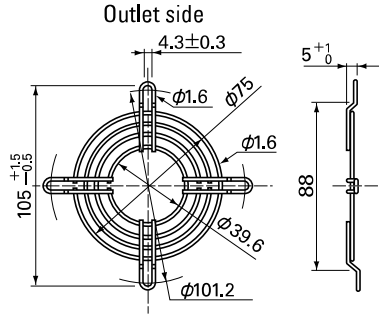
**Options (unit: mm)**

**Finger Guards**

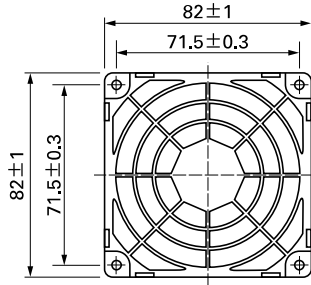
Model : 109-049C Surface treatment : Nickel-chrome plating (silver) Color (silver)

**Resin Finger Guards**

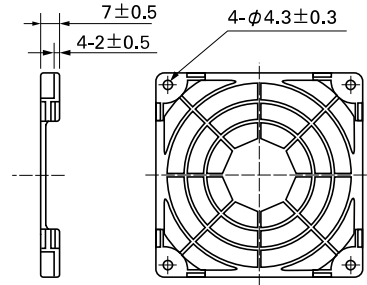
Model : 109-1002G



Mass : 17g

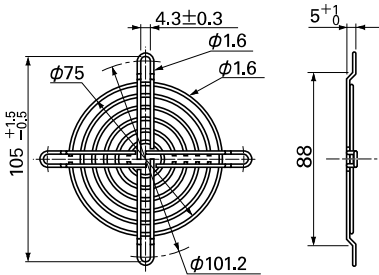


Mass : 10g



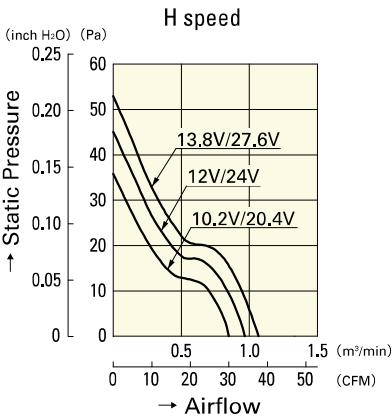
Model : 109-049E Surface treatment : Nickel-chrome plating (silver) Color (silver)  
 : 109-049H : Cation electropainting (black)

**Inlet side, Outlet side**

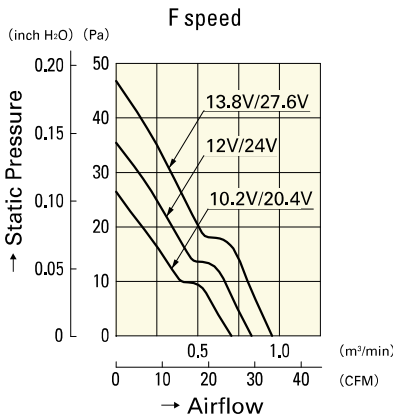


Mass : 21g

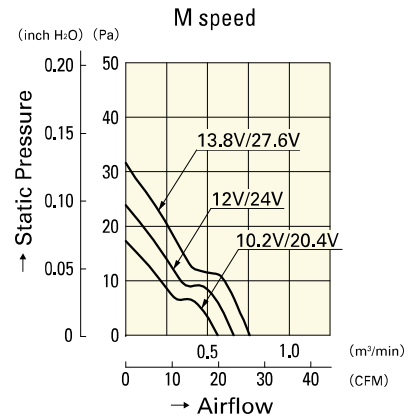
**Airflow - Static Pressure Characteristics**



**9WS0812H401**  
**9WS0824H401**



**9WS0812F401**  
**9WS0824F401**



**9WS0812M401**  
**9WS0824M401**