

**92**mm sq.

# San Ace 92W



## General Specifications

- Material ..... Frame: Aluminum (Black coating),  
Impeller: Plastics (Flammability: UL94V-1)
- Expected Life ..... Refer to specifications (Indoor, L10:Survival rate:90% at 60°C ,  
rated voltage, and continuously run in a free air state)
- Lead Wire ..... ⊕red ⊖black (Sensor) yellow (Control) brown
- Storage Temperature ..... -30°C to +70°C (Non-condensing)

**92×92×25**mm (Mass : 170g)

**IP 68**

**9WL type**

**High Airflow Long Life Fan**



## Specifications

The following nos. **have PWM controls and pulse sensors.**

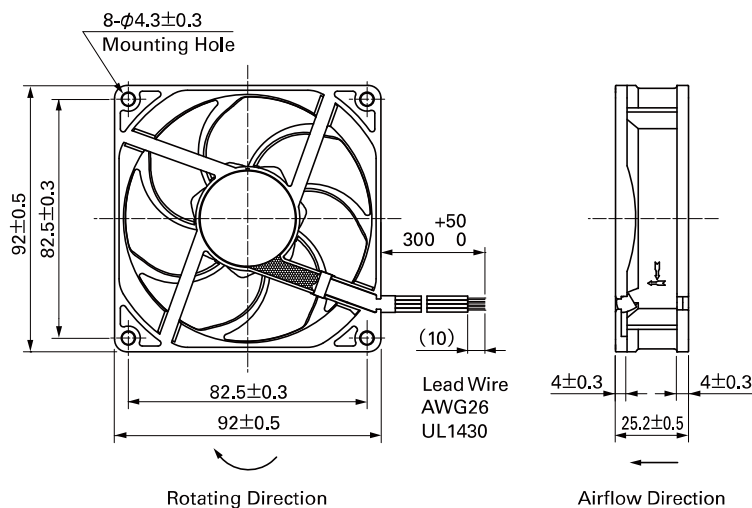
Model No.	Rated Voltage [V]	Operating Voltage Range [V]	PWM duty cycle <sup>Note 1)</sup> [%]	Rated Current [A]	Rated Input [W]	Rated Speed [min <sup>-1</sup> ]	Max. Airflow [m <sup>3</sup> /min] [CFM]	Max. Static Pressure [Pa] [inchH <sub>2</sub> O]	SPL [dB(A)]	Operating Temperature Range [°C]	Expected Life [h]		
9WL0912P4J001	12	10.8 to 13.2	100	0.42	5.04	5,000	2.2 77.7	105 0.42	44	-20 to +70	180,000/60°C		
			20	0.04	0.48	1,200	0.52 18.4	6.04 0.024	11				
9WL0912P4G001			100	0.30	3.60	4,400	1.93 68.2	81 0.33	40				
			20	0.04	0.48	1,000	0.43 15.1	4.18 0.016	8				
9WL0912P4S001			100	0.22	2.64	3,850	1.69 59.7	62.1 0.25	37				
			30	0.04	0.48	1,400	0.61 21.5	8.21 0.032	13				
9WL0912P4H001			100	0.15	1.80	3,150	1.38 48.7	41.6 0.17	32				
			30	0.04	0.48	1,100	0.48 16.9	5.07 0.020	9				
9WL0924P4J001			24	21.6 to 26.4	100	0.21	5.04	5,000	2.2 77.7			105 0.42	44
					20	0.02	0.48	1,100	0.48 16.9			5.07 0.020	9
9WL0924P4S001	100	0.11			2.64	3,850	1.69 59.7	62.1 0.25	37				
	30	0.02			0.48	1,300	0.57 20.1	7.08 0.028	12				
9WL0924P4H001	100	0.07			1.68	3,150	1.38 48.7	41.6 0.17	32				
	30	0.02			0.48	1,000	0.43 15.1	4.18 0.016	8				

Note : Fan does not rotate when PWM duty cycle is 0%.

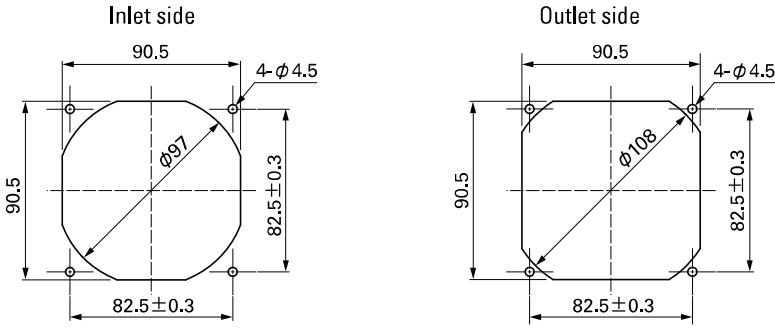
※PWM Frequency : 25kHz

Other sensor specifications are available as options. Please refer to the index (p. 512).

## Dimensions (unit: mm)



## Reference Dimensions of Mounting Holes and Vent Opening (unit: mm)

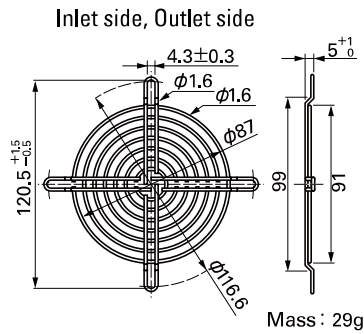
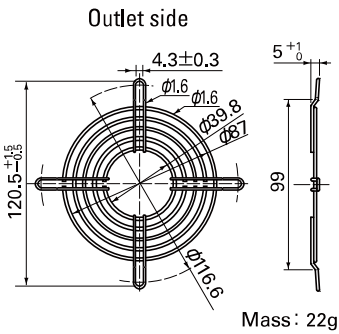


## Options (unit: mm)

### Finger Guards

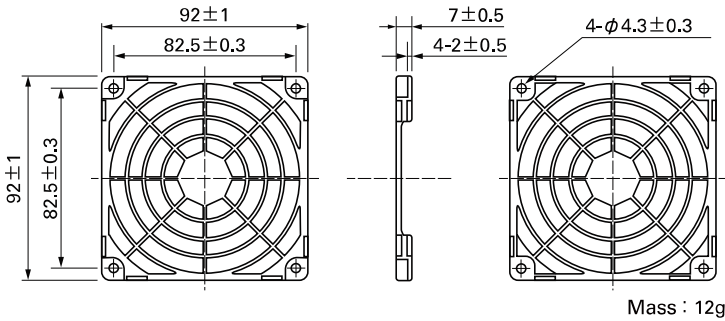
Model : 109-099C Color Surface treatment : Nickel-chrome plating (silver)

Model : 109-099E Color Surface treatment : Nickel-chrome plating (silver)  
: 109-099H : Cation electropainting (black)



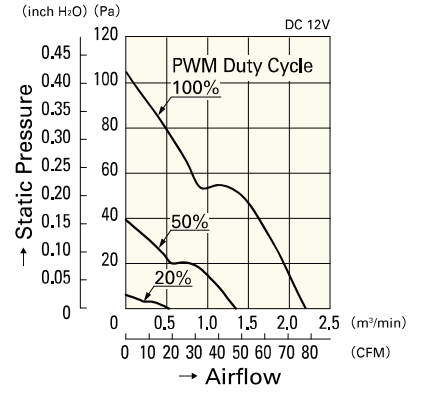
### Resin Finger Guards

Model : 109-1001G



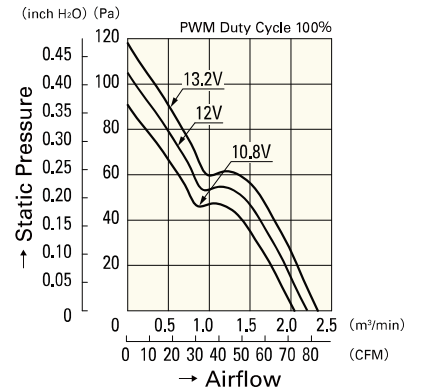
## Airflow - Static Pressure Characteristics

### PWM Duty Cycle



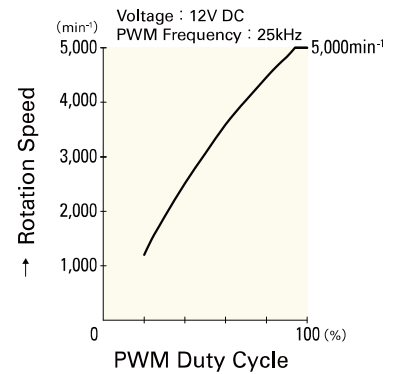
### 9WL0912P4J001

### Operating Voltage Range



### 9WL0912P4J001

## PWM Duty - Speed Characteristics Example



### 9WL0912P4J001

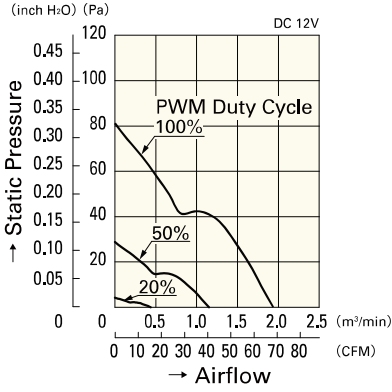
**92**mm sq.

# San Ace 92W

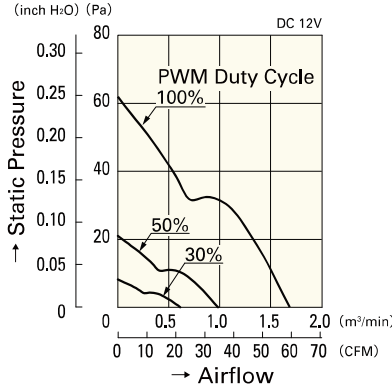
**92×92×25mm** [Mass : 170g]

## Airflow - Static Pressure Characteristics

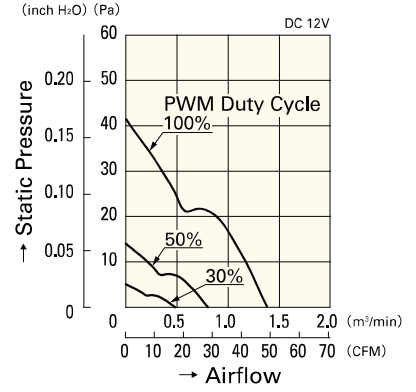
### PWM Duty Cycle



**9WL0912P4G001**

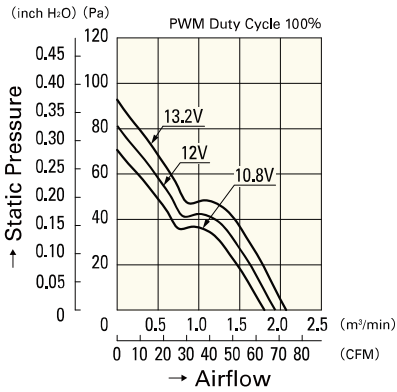


**9WL0912P4S001**

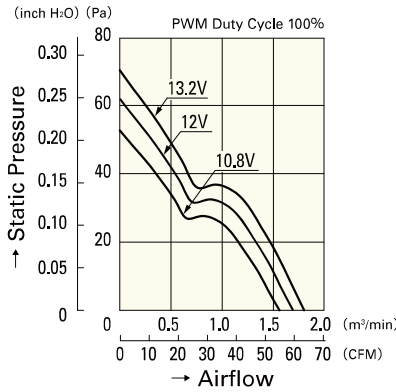


**9WL0912P4H001**

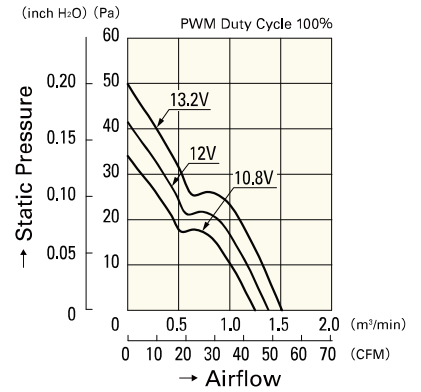
### Operating Voltage Range



**9WL0912P4G001**

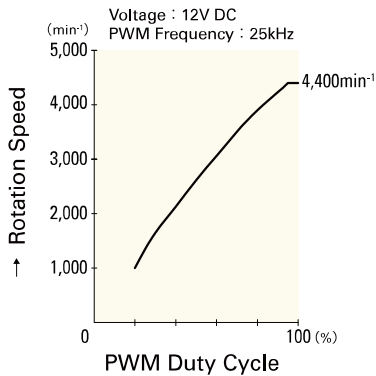


**9WL0912P4S001**

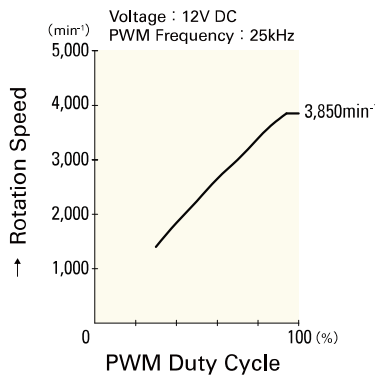


**9WL0912P4H001**

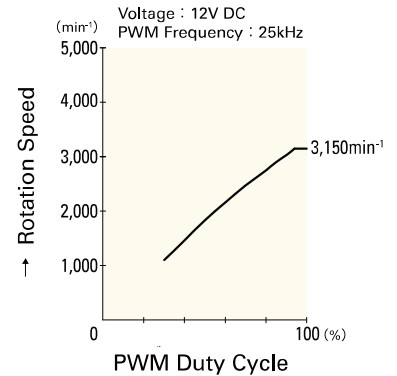
## PWM Duty - Speed Characteristics Example



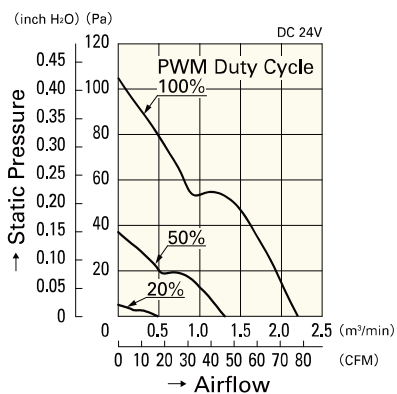
**9WL0912P4G001**



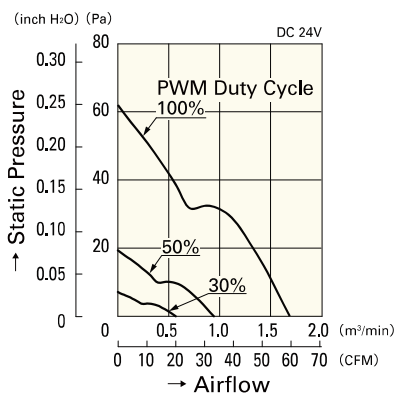
**9WL0912P4S001**



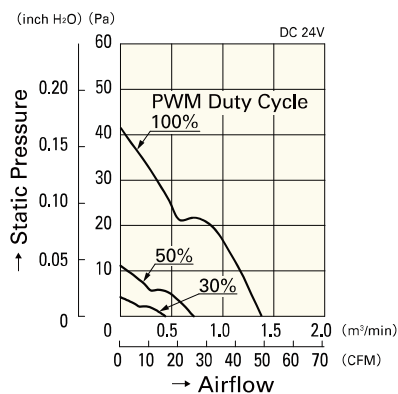
**9WL0912P4H001**



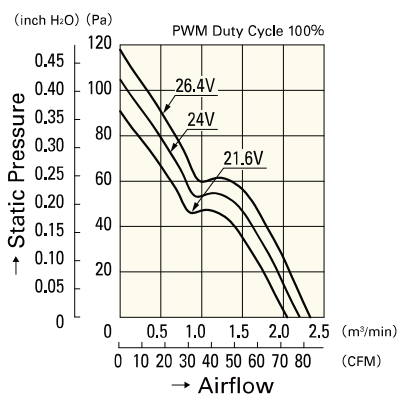
9WL0924P4J001



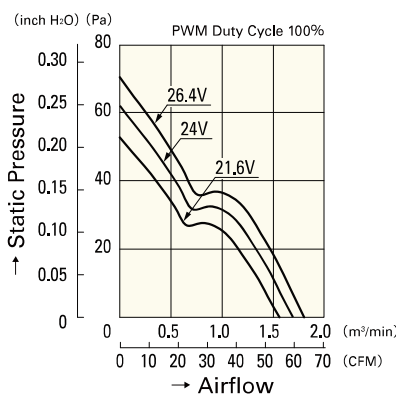
9WL0924P4S001



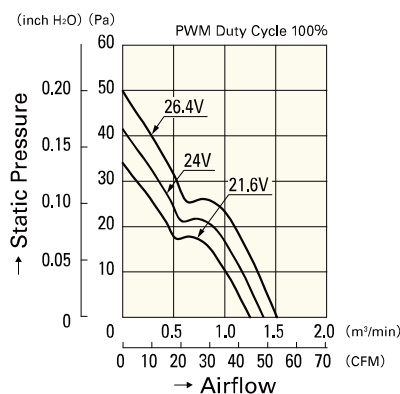
9WL0924P4H001



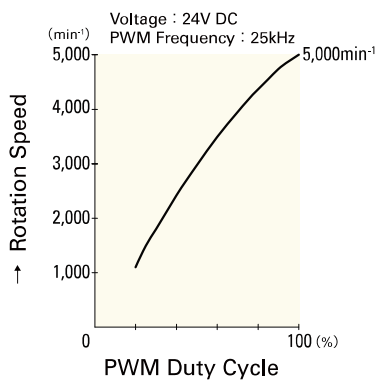
9WL0924P4J001



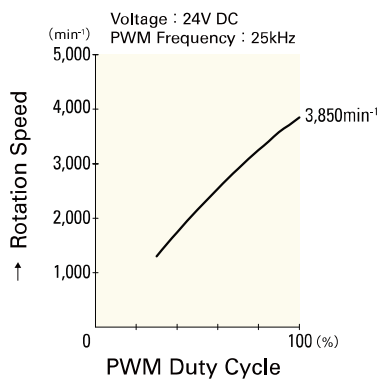
9WL0924P4S001



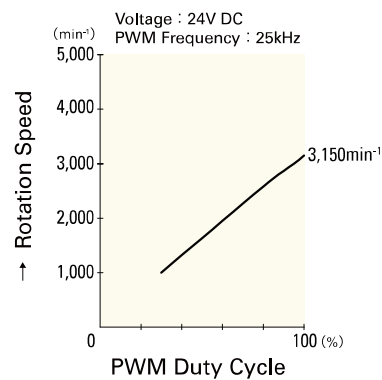
9WL0924P4H001



9WL0924P4J001



9WL0924P4S001



9WL0924P4H001