

**92**mm sq.

# San Ace 92W



Model no. 9WP0912S401, 9WP0912F401, 9WP0924S401 are not certified.

## General Specifications

- Material ..... Frame: Plastics (Flammability: UL94V-0), Impeller: Plastics (Flammability: UL94V-0)
- Expected Life ..... Refer to specifications (Indoor, L10:Survival rate: 90% at 60°C, rated voltage, and continuously run in a free air state)
- Lead Wire ..... ⊕red ⊖black or blue (Sensor) yellow
- Storage Temperature ..... -30°C to +70°C (Non-condensing)

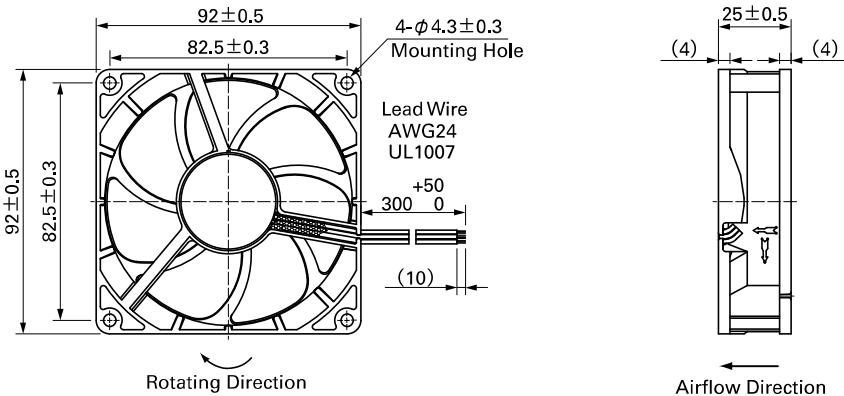
**92×92×25**mm (Mass : 120g) **IP 68** **9WP** type

**Specifications** The following nos. **have pulse sensors and ribs.** For ribless, append "1" to the model no.

Model No.	Rated Voltage [V]	Operating Voltage Range [V]	Rated Current [A]	Rated Input [W]	Rated Speed [min <sup>-1</sup> ]	Max. Airflow [m <sup>3</sup> /min] [CFM]	Max. Static Pressure [Pa] [inchH <sub>2</sub> O]	SPL [dB(A)]	Operating Temperature [°C]	Expected Life [h]
9WP0912S401	12	6 to 13.8	0.27	3.24	3,550	1.66 58.6	56.1 0.225	39	-20 to +70	40,000/60°C
9WP0912F401			0.14	1.68	2,650	1.24 43.8	32.2 0.129	30		
9WP0924G401	24	12 to 27.6	0.19	4.56	3,900	1.76 62.2	66.5 0.267	43		
9WP0924S401			0.15	3.6	3,550	1.66 58.6	56.1 0.225	39		
9WP0924H401			0.1	2.4	3,150	1.45 51.2	44 0.177	33		
9WP0924F401			0.08	1.92	2,650	1.24 43.8	32.2 0.129	30		
9WP0924B401			0.05	1.20	2,000	0.90 31.8	18.0 0.072	23	-10 to +70	

Other sensor specifications are available as options. Please refer to the index (p. 512).

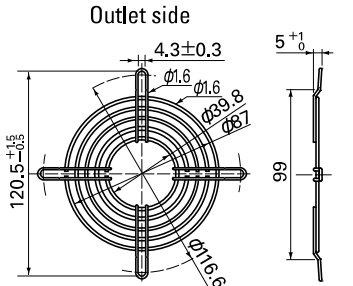
## Dimensions (unit: mm)



## Options (unit: mm)

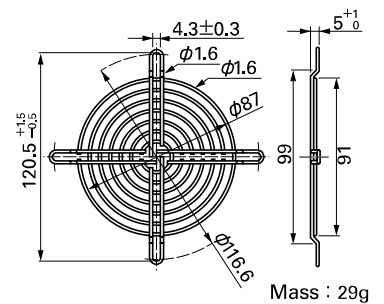
### Finger Guards

Model : 109-099C Surface treatment : Nickel-chrome plating (silver) Color

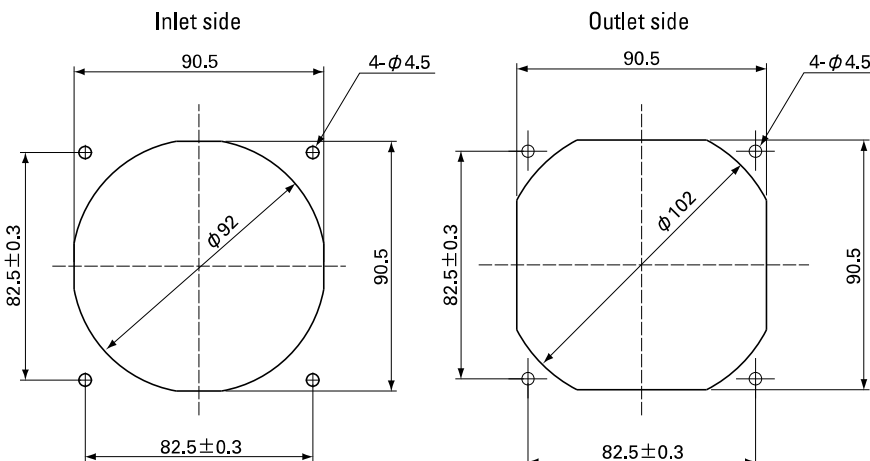


Model : 109-099E Surface treatment : Nickel-chrome plating (silver) Color  
: 109-099H : Cation electroplating (black)

### Inlet side, Outlet side



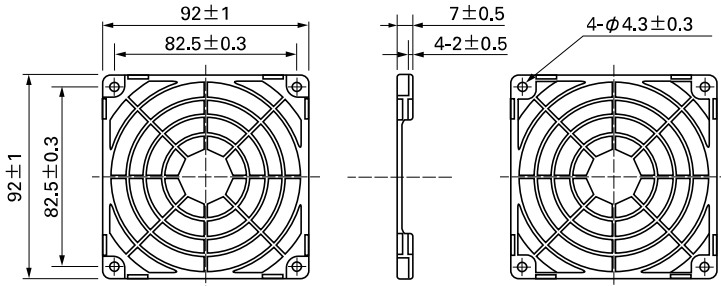
## Reference Dimensions of Mounting Holes and Vent Opening (unit: mm)



Options (unit: mm)

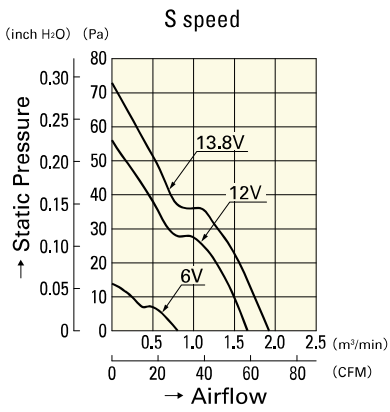
Resin Finger Guards

Model : 109-1001G

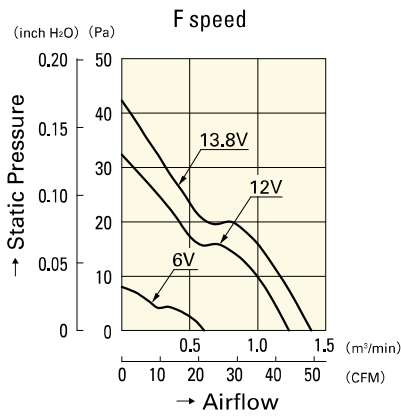


Mass : 12g

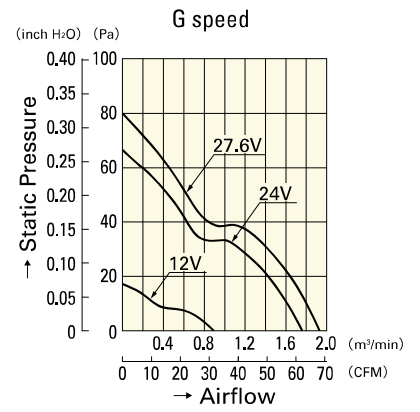
Airflow - Static Pressure Characteristics



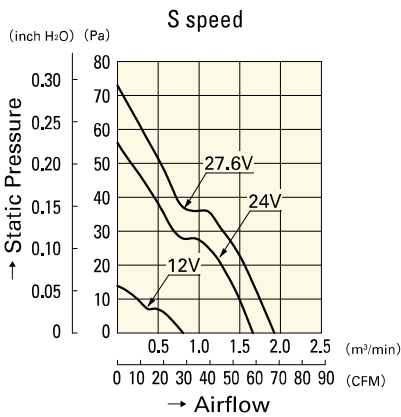
9WP0912S401



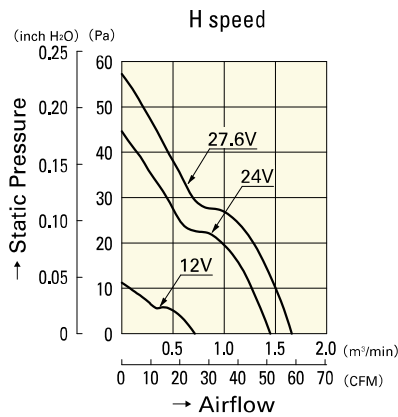
9WP0912F401



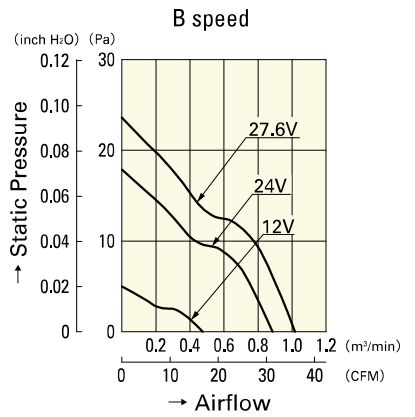
9WP0924G401



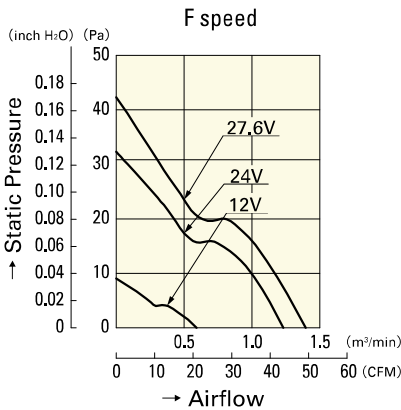
9WP0924S401



9WP0924H401



9WP0924B401



9WP0924F401