

120mm sq.

San Ace 120T



General Specifications

- Material Frame: Aluminum, Impeller: Plastics (Flammability: UL94V-1)
- Expected Life Refer to specifications (L10:Survival rate:90% at 85°C ,
rated voltage, and continuously run in a free air state)
- Lead Wire ⊕red ⊖black (Sensor) yellow (Control) brown
- Storage Temperature -40°C to +85°C (Non-condensing)

120×120×38mm [Mass : 420g] **9GT type**

Specifications

The following nos. have PWM controls and pulse sensors.

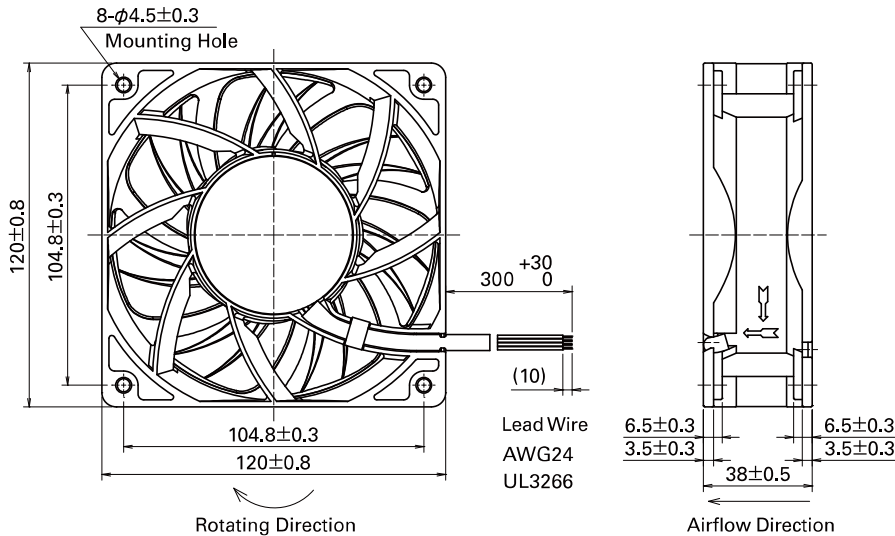
Model No.	Rated Voltage [V]	Operating Voltage Range [V]	PWM duty cycle ^{Note①} [%]	Rated Current [A]	Rated Input [W]	Rated Speed [min ⁻¹]	Max. Airflow [m ³ /min] [CFM]	Max. Static Pressure [Pa] [InchH ₂ O]	SPL [dB(A)]	Operating Temperature [°C]	Expected Life [h]
9GT1212P1S001	12	9.0 to 13.8	100	2.2	26.4	5,600	6.00 211.8	270 1.08	58	-40 to +85	40,000/85°C
			35	0.48	5.76	2,900	3.00 106.0	85.6 0.34	41		
9GT1224P1S001	24	18.0 to 27.6	100	1.1	26.4	5,600	6.00 211.8	270 1.08	58		
			35	0.24	5.76	2,900	3.00 106.0	85.6 0.34	41		

Note : Fan does not rotate when PWM duty cycle is 0%.

※PWM Frequency : 25kHz

Other sensor specifications are available as options. Please refer to the index (p. 507).

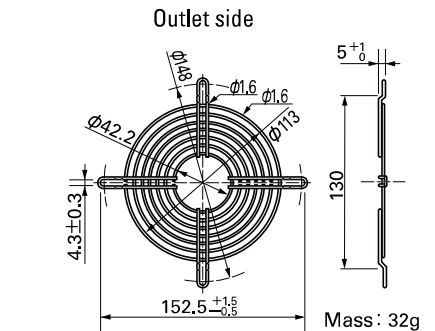
Dimensions (unit: mm)



Options (unit: mm)

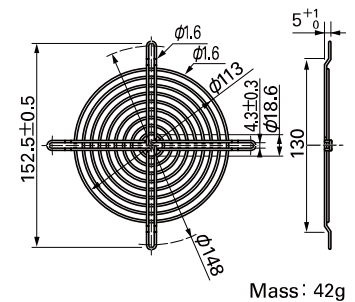
Finger Guards

Model : 109-019C Surface treatment : Nickel-chrome plating (silver)
: 109-019H : Cation electroplating (black)

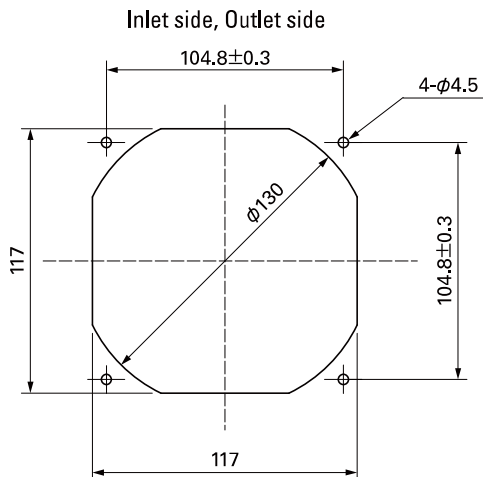


Model : 109-019E Surface treatment : Nickel-chrome plating (silver)
: 109-019K : Cation electroplating (black)

Inlet side, Outlet side

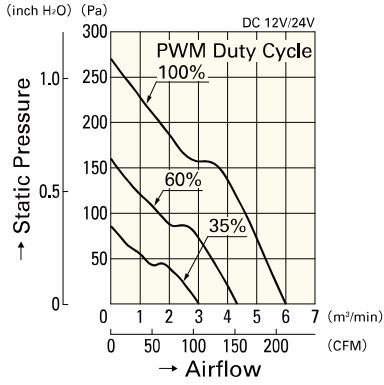


Reference Dimensions of Mounting Holes and Vent Opening (unit: mm)



Airflow - Static Pressure Characteristics

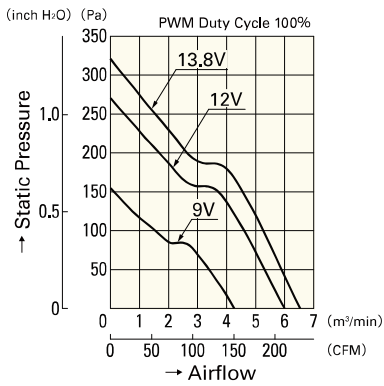
PWM Duty Cycle



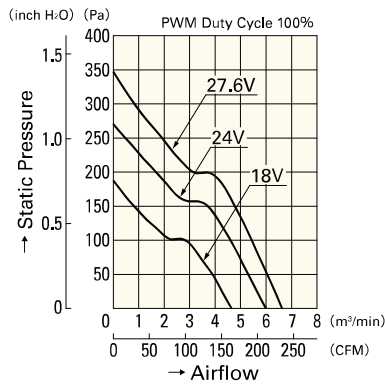
9GT1212P1S001

9GT1224P1S001

Operating Voltage Range

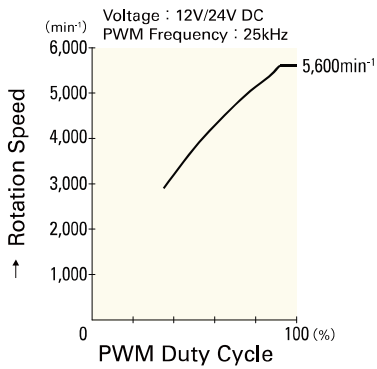


9GT1212P1S001



9GT1224P1S001

PWM Duty - Speed Characteristics Example



9GT1212P1S001

9GT1224P1S001

DC

Wide Temperature Range Fan 120mm