

**80** mm sq.

# San Ace 80T



## General Specifications

- Material ..... Frame: Aluminum, Impeller: Plastics (Flammability: UL94V-1)
- Expected Life ..... Refer to specifications (L10:Survival rate:90% at 85°C ,  
rated voltage, and continuously run in a free air state)
- Lead Wire ..... ⊕red ⊖black (Sensor) yellow (Control) brown
- Storage Temperature ..... -40°C to +85°C (Non-condensing)

**80×80×25** mm (Mass : 130g) **9GT** type

## Specifications

The following nos. **have PWM controls and pulse sensors.**

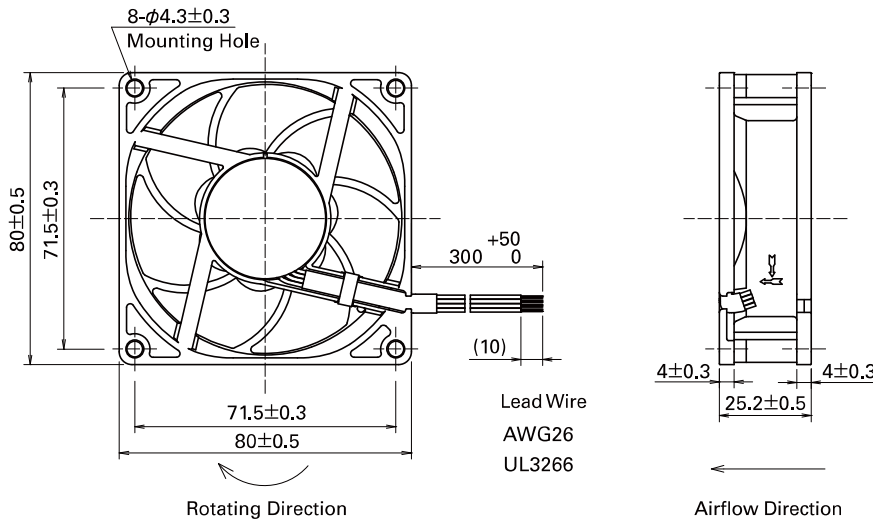
Model No.	Rated Voltage [V]	Operating Voltage Range [V]	PWM duty cycle <sup>Note①</sup> [%]	Rated Current [A]	Rated Input [W]	Rated Speed [min <sup>-1</sup> ]	Max. Airflow [m <sup>3</sup> /min] [CFM]	Max. Static Pressure [Pa] [inchH <sub>2</sub> O]	SPL [dB(A)]	Operating Temperature [°C]	Expected Life [h]
9GT0812P4S001	12	10.2 to 13.8	100	0.46	5.52	6,700	1.86 65.7	143 0.57	46	-40 to +85	40,000/85°C
			30	0.09	1.08	2,650	0.73 25.7	22.3 0.08	26		
9GT0824P4S001	24	20.4 to 27.6	100	0.22	5.28	6,700	1.86 65.7	143 0.57	46		
			30	0.05	1.20	2,650	0.73 25.7	22.3 0.08	26		

Note : Fan does not rotate when PWM duty cycle is 0%.

※PWM Frequency : 25kHz

Other sensor specifications are available as options. Please refer to the index (pp. 506 to 507).

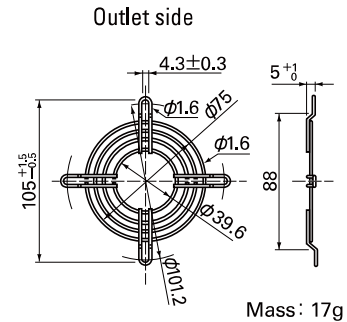
## Dimensions (unit: mm)



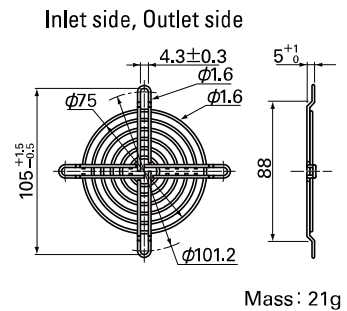
## Options (unit: mm)

### Finger Guards

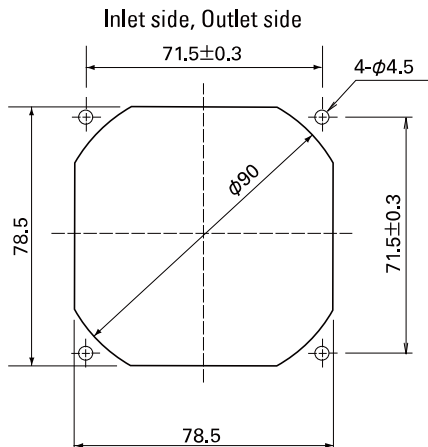
Model : 109-049C Surface treatment : Nickel-chrome plating (silver) Color



Model : 109-049E Surface treatment : Nickel-chrome plating (silver) Color  
: 109-049H : Cation electropainting (black)

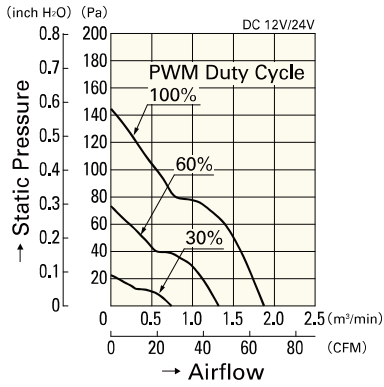


## Reference Dimensions of Mounting Holes and Vent Opening (unit: mm)



## Airflow - Static Pressure Characteristics

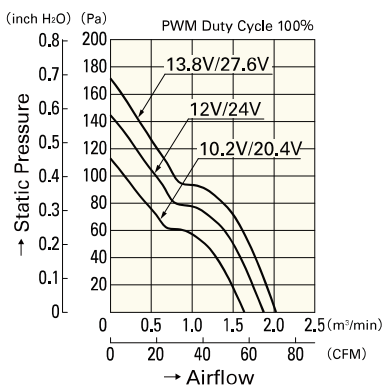
### PWM Duty Cycle



**9GT0812P4S001**

**9GT0824P4S001**

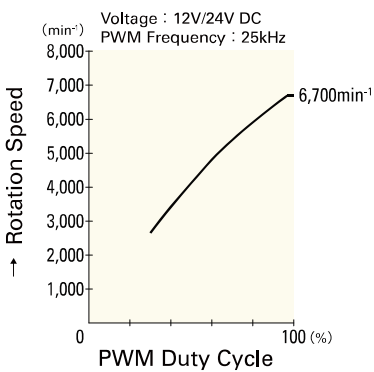
### Operating Voltage Range



**9GT0812P4S001**

**9GT0824P4S001**

## PWM Duty - Speed Characteristics Example



**9GT0812P4S001**

**9GT0824P4S001**

DC

Wide Temperature Range Fan 80mm