

**92**mm sq.

# San Ace 92T



## General Specifications

- Material ..... Frame: Aluminum, Impeller: Plastics (Flammability: UL94V-1)
- Expected Life ..... Refer to specifications (L10:Survival rate:90% at 85°C , rated voltage, and continuously run in a free air state)
- Lead Wire ..... ⊕red ⊖black (Sensor) yellow (Control) brown
- Storage Temperature ..... -40°C to +85°C (Non-condensing)

**92×92×38**mm (Mass : 270g) **9GT** type

## Specifications

The following nos. **have PWM controls and pulse sensors.**

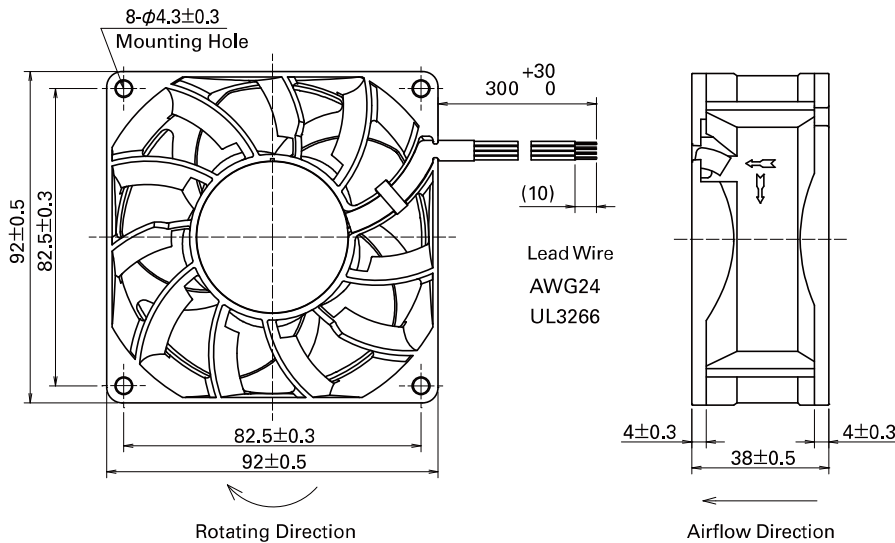
Model No.	Rated Voltage [V]	Operating Voltage Range [V]	PWM duty cycle <sup>Note①</sup> [%]	Rated Current [A]	Rated Input [W]	Rated Speed [min <sup>-1</sup> ]	Max. Airflow [m <sup>3</sup> /min] [CFM]	Max. Static Pressure [Pa] [InchH <sub>2</sub> O]	SPL [dB(A)]	Operating Temperature [°C]	Expected Life [h]
9GT0912P1M001	12	10.2 to 13.8	100	1.50	18.0	8,100	3.30 116.6	315 1.26	58	-40 to +85	40,000/85°C
			30	0.30	3.6	3,750	1.50 53.0	72.0 0.29	37		
9GT0924P1M001	24	20.4 to 27.6	100	0.75	18.0	8,100	3.30 116.6	315 1.26	58		
			30	0.15	3.6	3,750	1.50 53.0	72.0 0.29	37		

Note : Fan does not rotate when PWM duty cycle is 0%.

※PWM Frequency : 25kHz

Other sensor specifications are available as options. Please refer to the index (p. 507).

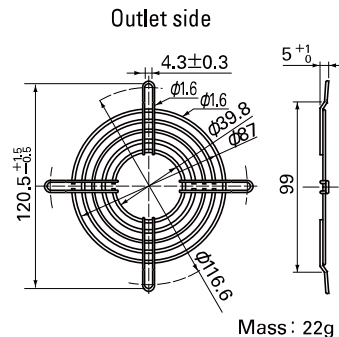
## Dimensions (unit: mm)



## Options (unit: mm)

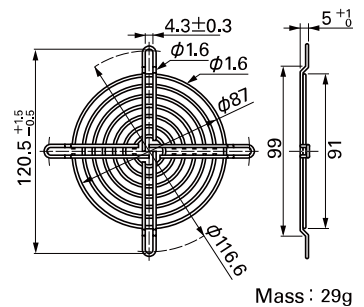
### Finger Guards

Model : 109-099C Surface treatment : Nickel-chrome plating (silver) Color : Nickel-chrome plating (silver)

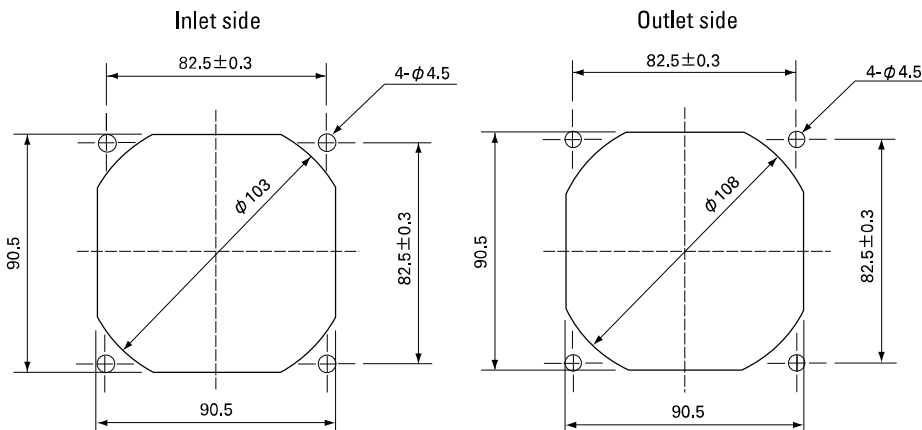


Model : 109-099E Surface treatment : Nickel-chrome plating (silver) Color : Nickel-chrome plating (silver)  
: 109-099H Surface treatment : Cation electroplating (black) Color : Cation electroplating (black)

### Inlet side, Outlet side

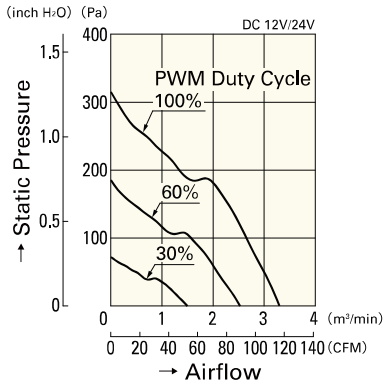


## Reference Dimensions of Mounting Holes and Vent Opening (unit: mm)



## Airflow - Static Pressure Characteristics

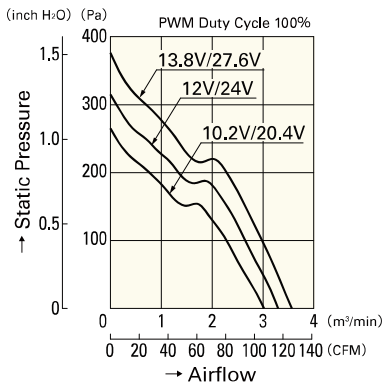
### PWM Duty Cycle



**9GT0912P1M001**

**9GT0924P1M001**

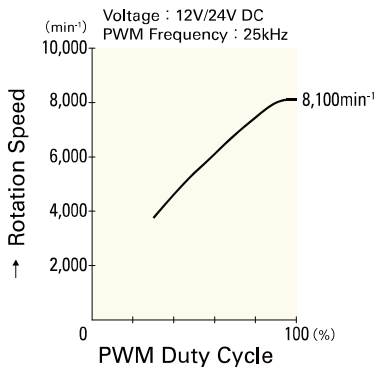
### Operating Voltage Range



**9GT0912P1M001**

**9GT0924P1M001**

## PWM Duty - Speed Characteristics Example



**9GT0912P1M001**

**9GT0924P1M001**

DC

Wide Temperature Range Fan 92mm