

φ172mm

San Ace 172

51mm thick (Sidecut type)
 51mm thick (Round type)
 51mm thick (Round type /with sensor)



General Specifications

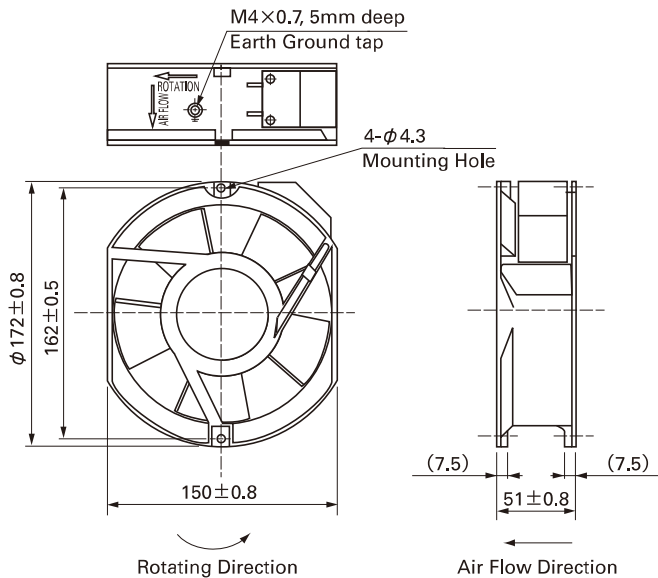
- Material Frame: Aluminum, Impeller:Plastics (Flammability: UL94V-1)
- Expected Life Refer to specifications (L10:Survival rate: 90% at 60°C , rated voltage,and continuously run in a free air state)
- Dielectric Strength 50/60Hz 1,500VAC 1minute (between input terminal and frame)
- Storage Temperature -30°C to +70°C (Non-condensing)
- Operating Voltage Range ... Voltage of each model ± 10%

φ172mm × 150mm × 51mm (Mass : 1,000g) **Sidecut type**

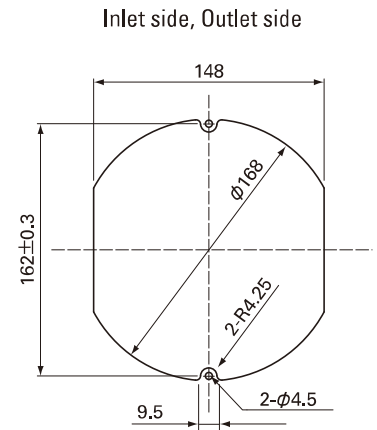
Specifications

Model No.	Voltage [V]	Frequency [Hz]	Input [W]	Current [A]	Locked Rotor Current [A]	Rated Speed [min ⁻¹]	Max. Air Flow [m ³ /min] [CFM]	Max. Static Pressure [Pa] [inchH ₂ O]	SPL [dB(A)]	Operating Temperature [°C]	Expected Life [h]
109S301	100	50/60	27/25	0.33/0.25	0.65/0.64	2,900/3,500	5.3/6.4 187.3/226.1	147/196 0.590/0.787	51/56	-30 to +60	25,000
109S304	115			0.29/0.22	0.55/0.54						
109S302	200			0.16/0.13	0.33/0.32						
109S303	230			0.14/0.11	0.28/0.27						

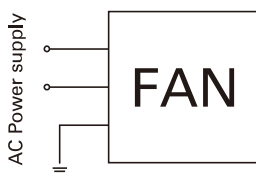
Dimensions (Unit : mm)



Reference Dimension of Mounting Holes and Vent Opening (Unit : mm)



Wiring Diagram



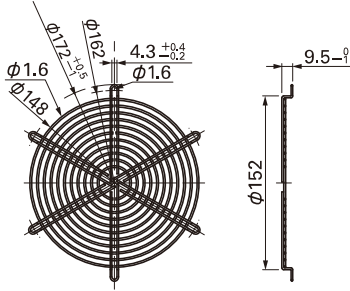
Options (Unit : mm)

Finger guards

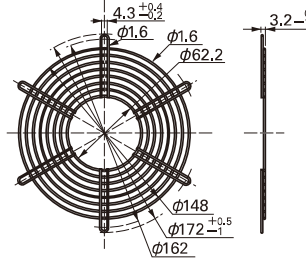
Model : 109-319E Surface treatment : Nickel-chrome plating (silver) Color
 : 109-319H : Cation electropainting (black)

Model : 109-320 Surface treatment : Nickel-chrome plating (silver) Color

Inlet side, Outlet side



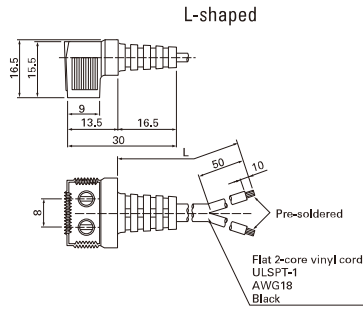
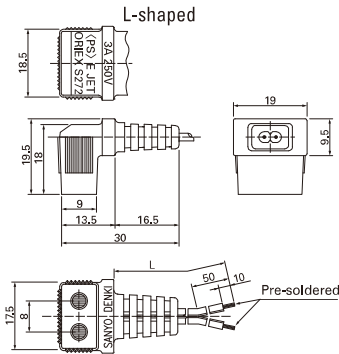
Outlet side



Plug cord

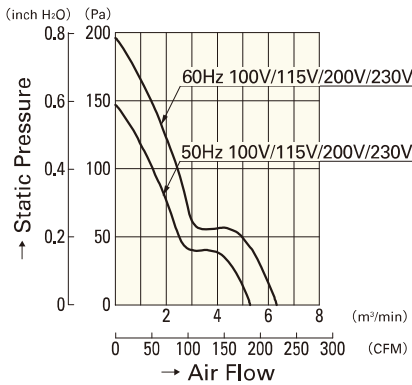
(Products compliant with Electrical Appliance and Material Safety Law)
 Model : 489-1619-L10/489-1619-L21

(UL/CSA CERTIFIED)
 UL FILE No. E50197 CSA FILE No. LR67048
 Model No. : 489-084-L10/489-084-L21



Model	Power cord length(mm)
- L10	1,000
- L21	2,100

Air Flow - Static Pressure Characteristics



109S301	109S304
109S302	109S303