

φ172mm

San Ace 172

51mm thick (Sidecut type)
 51mm thick (Round type)
 51mm thick (Round type /with sensor)



Only standard fans (without sensors) have acquired CSA certification.

General Specifications

- Material..... Frame: Aluminum, Impeller:Plastics (Flammability: UL94V-1)
- Expected Life Refer to specifications (L10:Survival rate: 90% at 60°C , rated voltage,and continuously run in a free air state)
- Dielectric Strength 50/60Hz 1,500VAC 1minute (between input terminal and frame)
- Dielectric Strength (With Sensor) ... Between AC input and DC input(Sensor output)
 : 50/60Hz 1,000VAC 1minute
 Between AC input and G
 : 50/60Hz 1,500VAC 1minute,
 Between G and DC input(Sensor output)
 : 50/60Hz 1,000VAC 1minute
- Sensor-Purpose Lead Wire ... ⊕ brown ⊖ black (Sensor) yellow
- Storage Temperature -30°C to +70°C (Non-condensing)
- Operating Voltage Range ... Voltage of each model ± 10%

φ172mm×51mm (Mass : 1,000g) **Round type**

Specifications Standard

Model No.	Voltage [V]	Frequency [Hz]	Input [W]	Current [A]	Locked Rotor Current [A]	Rated Speed [min ⁻¹]	Max. Air Flow [m ³ /min] [CFM]	Max. Static Pressure [Pa] [inchH ₂ O]	SPL [dB(A)]	Operating Temperature [°C]	Expected Life [h]
109-311	100	50/60	27/25	0.33/0.25	0.65/0.64	2,900/3,500	5.3/6.4 187.3/226.1	147/196 0.590/0.787	47/51	-30 to +60	25,000
109-314	115			0.29/0.22	0.55/0.54						
109-312	200			0.16/0.13	0.33/0.32						
109-313	230			0.14/0.11	0.28/0.27						

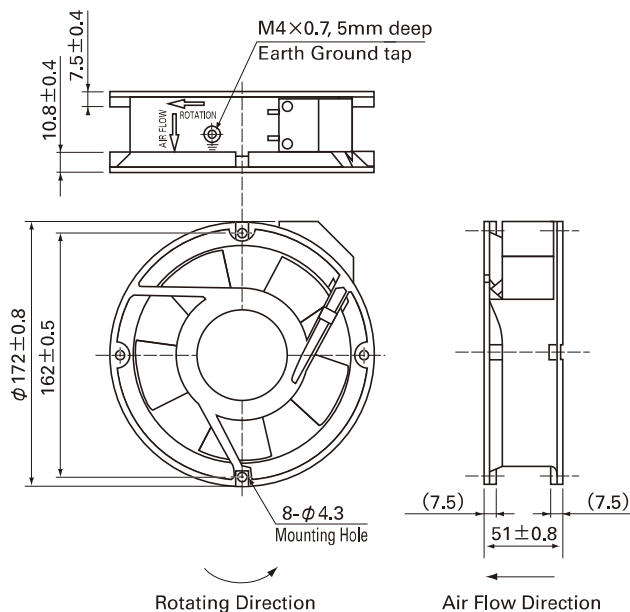
with Sensor

Model No.	Voltage [V]	Frequency [Hz]	Input [W]	Current [A]	Locked Rotor Current [A]	Rated Speed [min ⁻¹]	Max. Air Flow [m ³ /min] [CFM]	Max. Static Pressure [Pa] [inchH ₂ O]	SPL [dB(A)]	Operating Temperature [°C]	Expected Life [h]
109-371	100	50/60	27/25	0.33/0.25	0.65/0.64	2,900/3,500	5.3/6.4 187.3/226.1	147/196 0.590/0.787	47/51	-10 to +60	25,000
109-374	115			0.29/0.22	0.55/0.54						
109-372	200			0.16/0.13	0.33/0.32						
109-373	230			0.14/0.11	0.28/0.27						

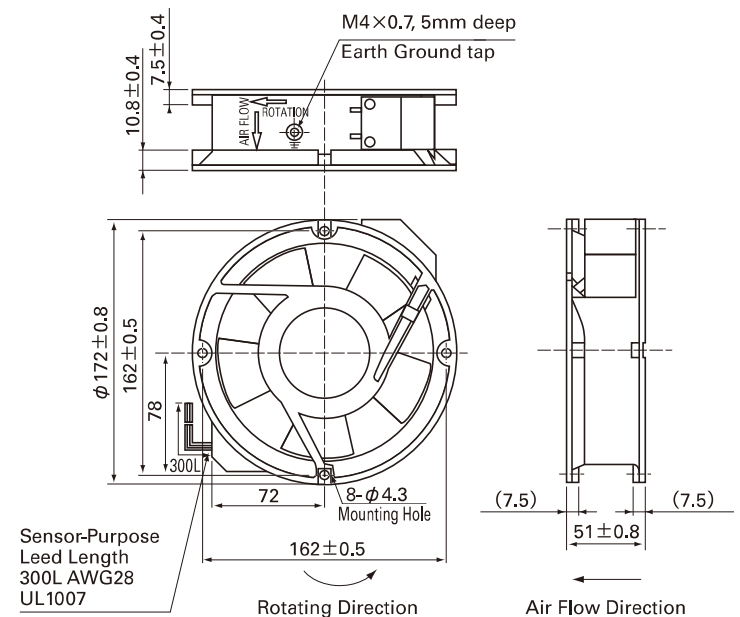
Two types of power supplies, 5V and 12V, are available in fans with sensor attached.

Dimensions (Unit : mm)

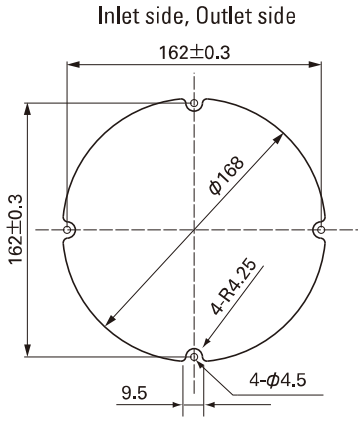
Standard



with Sensor

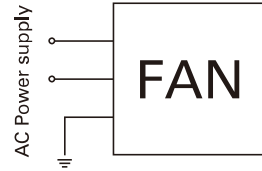


Reference Dimension of Mounting Holes and Vent Opening (Unit : mm)



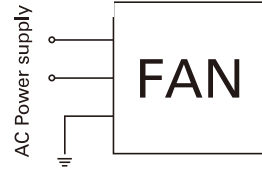
Wiring Diagram

Standard

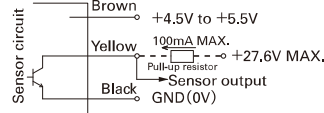


with Sensor

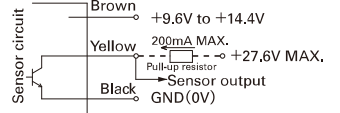
(For fan power supply)



5V



12V



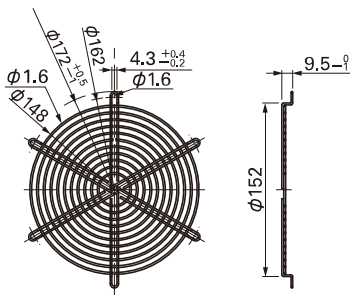
GND (Black) should be shared in case that power supply for sensor circuit (Brown) and that for sensor pull-up (Yellow) are separated.

Options (Unit : mm)

Finger guards

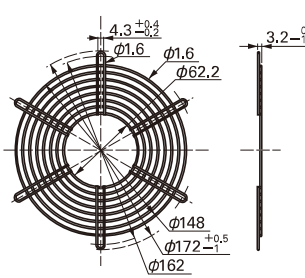
Model : 109-319E Surface treatment : Nickel-chrome plating (silver) Color : Silver
 : 109-319H : Cation electropainting (black)

Inlet side, Outlet side



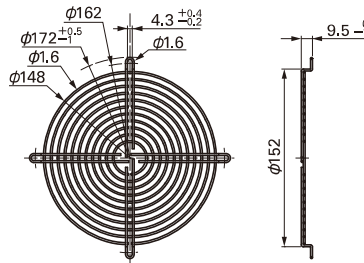
Model : 109-320 Surface treatment : Nickel-chrome plating (silver) Color : Silver

Outlet side



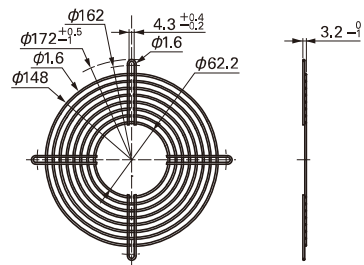
Model : 109-1066 Surface treatment : Nickel-chrome plating (silver) Color : Silver

Inlet side, Outlet side



Model : 109-1068 Surface treatment : Nickel-chrome plating (silver) Color : Silver

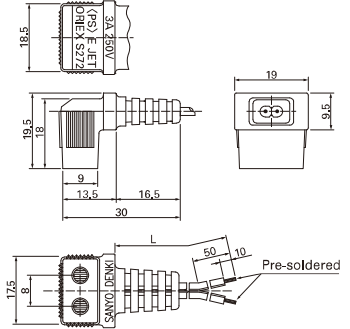
Outlet side



Plug cord

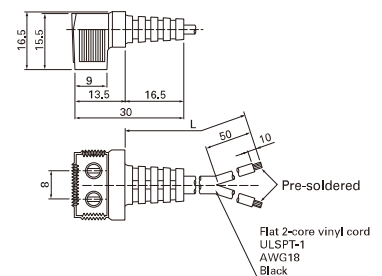
(Products compliant with Electrical Appliance and Material Safety Law)
 Model : 489-1619-L10/489-1619-L21

L-shaped



(UL/CSA CERTIFIED)
 UL FILE No. E50197 CSA FILE No. LR67048
 Model No. : 489-084-L10/489-084-L21

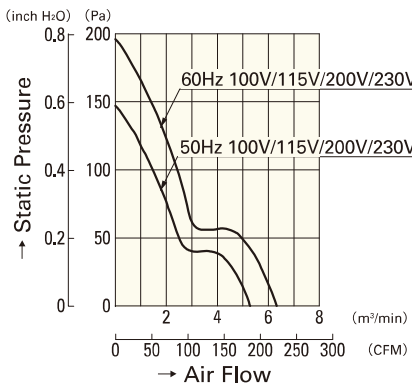
L-shaped



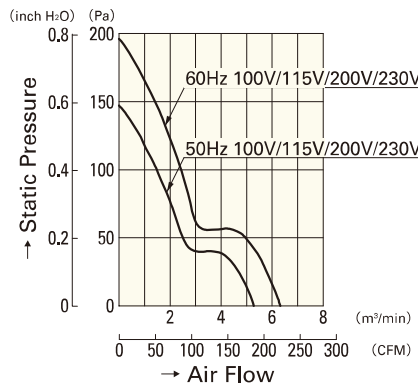
Model	Power cord length(mm)
L10	1,000
L21	2,100

Air Flow - Static Pressure Characteristics

Standard



with Sensor



109-311	109-314
109-312	109-313

109-371	109-374
109-372	109-373