

80mm sq.

San Ace 80



General Specifications

- Material Frame: Aluminum,
Impeller:Plastics (Flammability: UL94V-1)
- Expected Life Refer to specifications (L10:Survival rate: 90% at 60°C ,
rated voltage,and continuously run in a free air state)
- Dielectric Strength 50/60Hz 1,500VAC 1minute (between lead conductor and frame)
- Lead Wire Black, 2pcs
- Storage Temperature -30°C to +70°C (Non-condensing)
- Operating Voltage Range Voltage of each model ± 10%

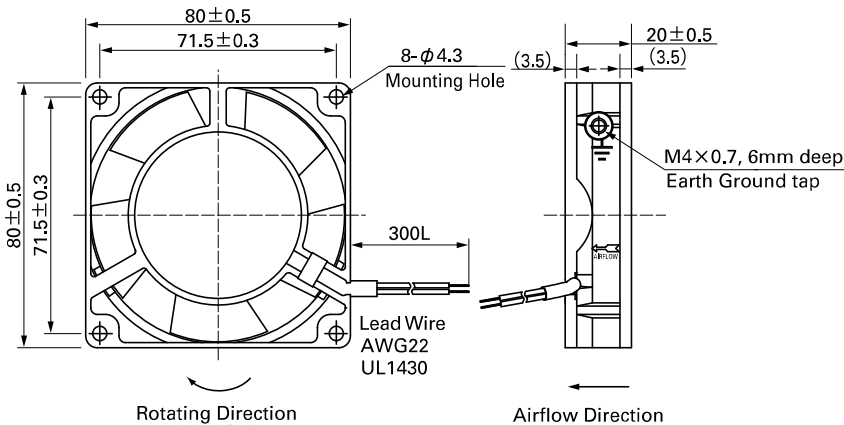
80×80×20mm [Mass : 180g]

Specifications

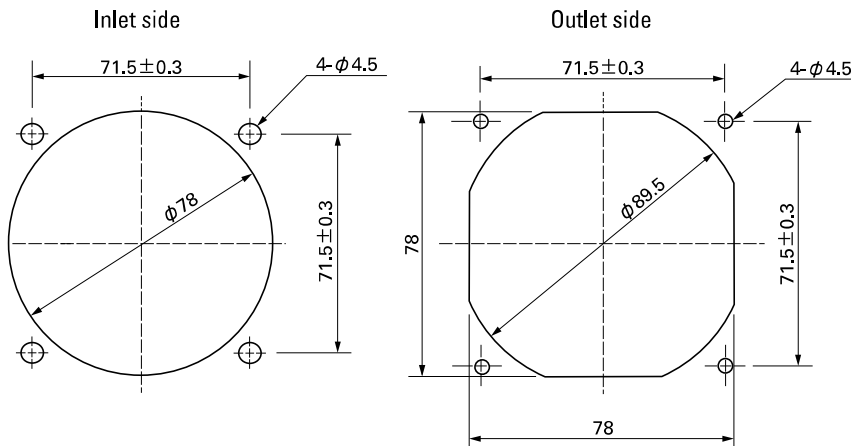
Model No.	Rated Voltage [V]	Frequency [Hz]	Input [W]	Current [A]	Locked Rotor Current [A]	Rated Speed [min ⁻¹]	Max. Airflow [m ³ /min] (CFM)	Max. Static Pressure [Pa] (inchHzO)	SPL [dB(A)]	Operating Temperature [°C]	Expected Life [h]	
109-210	100	50/60	6/5	0.07/0.06	0.07/0.06	2,500/3,000	0.44/0.53 15.5/18.7	23.5/31.4	0.094/0.126	26/31	-30 to +60	25,000/60°C
109-213	115			0.06/0.05	0.06/0.05							

Set Models Fan, finger guard, plug cord, screws, etc. can be purchased in one package.
For details, please refer to pp. 453 to 456.

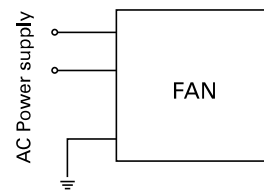
Dimensions (unit: mm)



Reference Dimensions of Mounting Holes and Vent Opening (unit: mm)



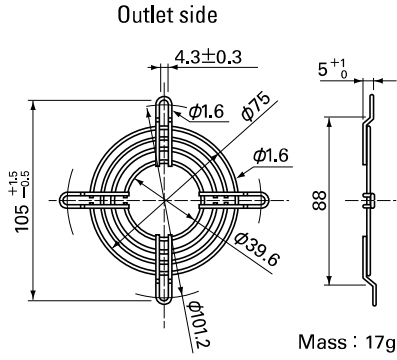
Wiring Diagram



Options (unit: mm)

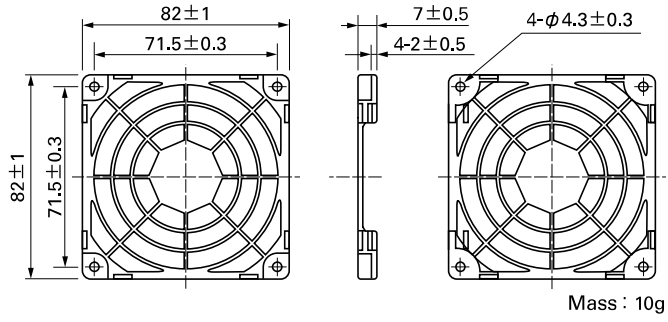
Finger Guards

Model : 109-049C Color : Nickel-chrome plating (silver)
 Surface treatment : Nickel-chrome plating (silver)
 : 109-049H Color : Cation electropainting (black)



Resin Finger Guards

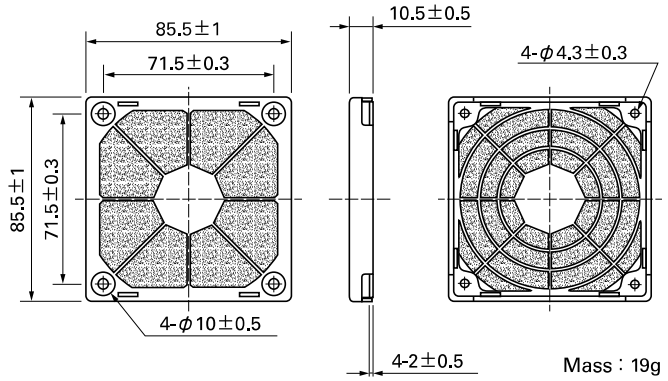
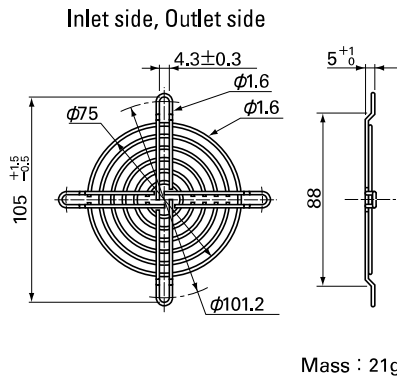
Model : 109-1002G



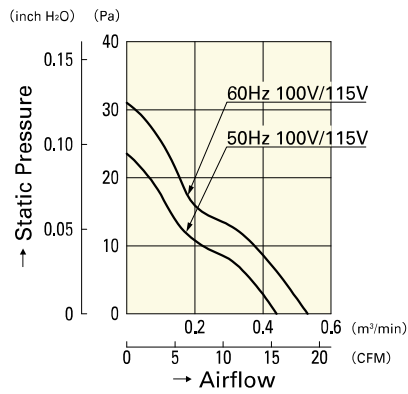
Model : 109-049E Color : Nickel-chrome plating (silver)
 Surface treatment : Nickel-chrome plating (silver)
 : 109-049H Color : Cation electropainting (black)

Resin Filter Kits

Model : 109-1002F13 (13PPI), 109-1002F20 (20PPI)
 : 109-1002F30 (30PPI), 109-1002F40 (40PPI)



Airflow - Static Pressure Characteristics



109-210

109-213