

**80** mm sq.

# San Ace 80



## General Specifications

- Material ..... Frame: Aluminum, Impeller:Plastics (Flammability: UL94V-1)
- Expected Life ..... Refer to specifications (L10:Survival rate: 90% at 60°C , rated voltage,and continuously run in a free air state)
- Dielectric Strength ..... 50/60Hz 1,500VAC 1minute (between input terminal and frame)
- Storage Temperature ..... -30°C to +70°C (Non-condensing)
- Operating Voltage Range ..... Voltage of each model ± 10%

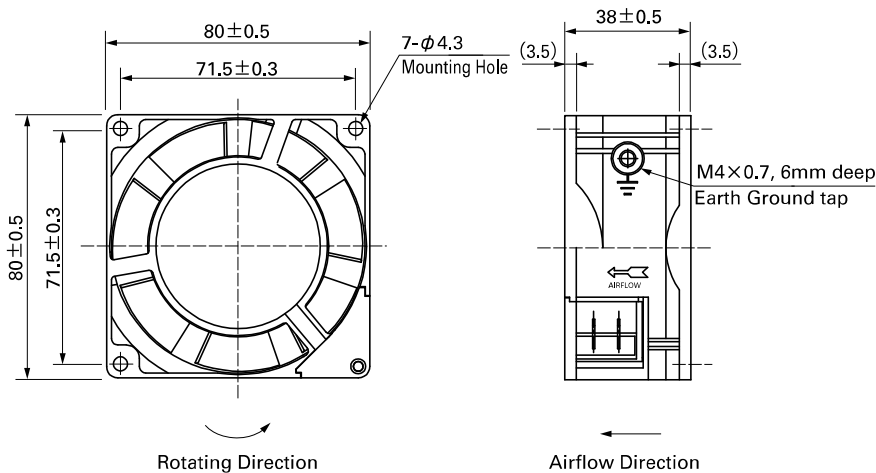
**80×80×38mm** [Mass : 400g]

## Specifications

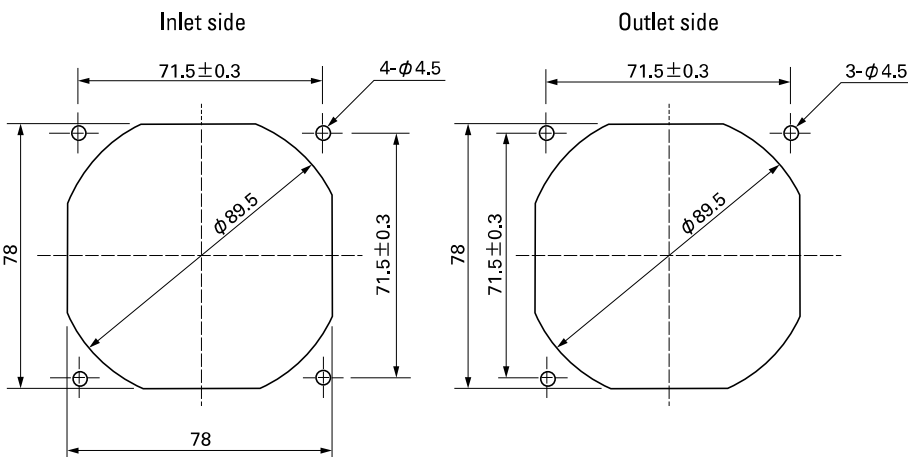
Model No.	Rated Voltage [V]	Frequency [Hz]	Input [W]	Current [A]	Locked Rotor Current [A]	Rated Speed [min <sup>-1</sup> ]	Max. Airflow [m <sup>3</sup> /min] [CFM]	Max. Static Pressure [Pa] [inchHzO]	SPL [dB(A)]	Operating Temperature [°C]	Expected Life [h]
109-150	100	50/60	9/8	0.13/0.11	0.17/0.15	2,700/3,150	0.9/1.05 31.8/37.1	31.4/44.1 0.126/0.177	35/39	-30 to +60	25,000/60°C
109-153	115			0.11/0.1	0.14/0.12						
109-151	200			0.07/0.06	0.09/0.08						
109-154	230			0.06/0.05	0.08/0.07						

**Set Models** Fan, finger guard, plug cord, screws, etc. can be purchased in one package. For details, please refer to pp. 453 to 456.

## Dimensions (unit: mm)



## Reference Dimensions of Mounting Holes and Vent Opening (unit: mm)



## Wiring Diagram

