

# 80 mm sq.

## San Ace 80



### General Specifications

- Material ..... Frame: Aluminum,  
Impeller:Plastics (Flammability: UL94V-1)
- Expected Life ..... Refer to specifications (L10:Survival rate: 90% at 60°C ,  
rated voltage,and continuously run in a free air state)
- Dielectric Strength ..... 50/60Hz 1,500VAC 1minute (between input terminal and frame)
- Storage Temperature ..... -30°C to +70°C (Non-condensing)
- Operating Voltage Range ..... Voltage of each model ± 10%

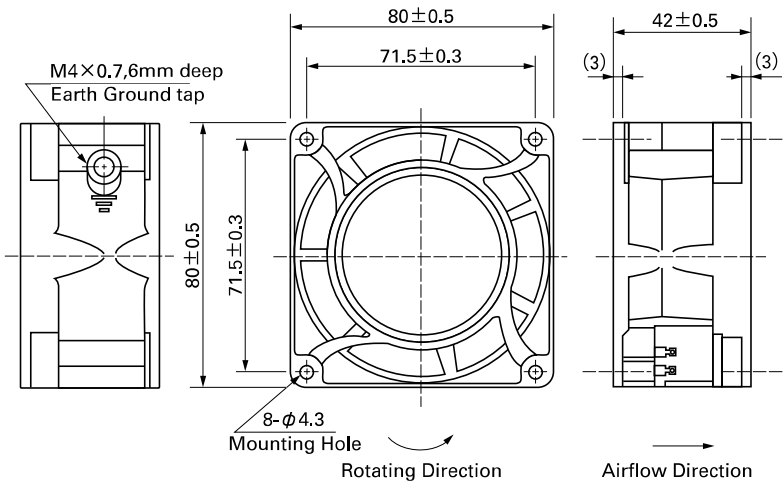
## 80×80×42mm (Mass : 410g)

### Specifications

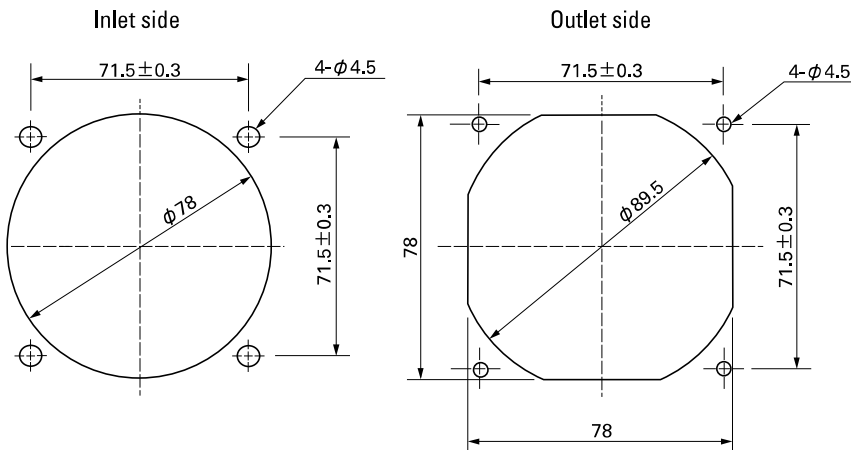
Model No.	Rated Voltage [V]	Frequency [Hz]	Input [W]	Current [A]	Locked Rotor Current [A]	Rated Speed [min <sup>-1</sup> ]	Max. Airflow [m <sup>3</sup> /min] [CFM]	Max. Static Pressure [Pa] [inchHzO]	SPL [dBA]	Operating Temperature [°C]	Expected Life [h]
109-040UL	100	50/60	10/9	0.13/0.11	0.16/0.14	2,650/3,100	0.85/1.0 30.0/35.3	24.5/35.3 0.098/0.142	40/44	-30 to +60	25,000/60°C
109-043UL	115			0.11/0.1	0.14/0.12						
109-041UL	200			0.07/0.06	0.08/0.07						
109-044UL	230			0.06/0.05	0.07/0.06						
109-047UL	100		4/3.5	0.05/0.05	0.05/0.05	1,500/1,500	0.43/0.43 15.2/15.2	8.8/8.8 0.035/0.035	24/24		
109-033UL	115			0.04/0.04	0.04/0.04						

**Set Models** Fan, finger guard, plug cord, screws, etc. can be purchased in one package. For details, please refer to pp. 453 to 456.

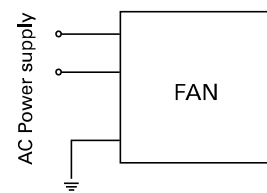
### Dimensions (unit: mm)



### Reference Dimensions of Mounting Holes and Vent Opening (unit: mm)



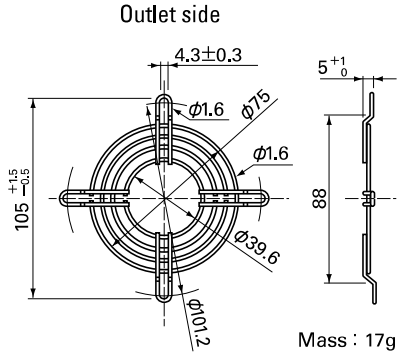
### Wiring Diagram



## Options (unit: mm)

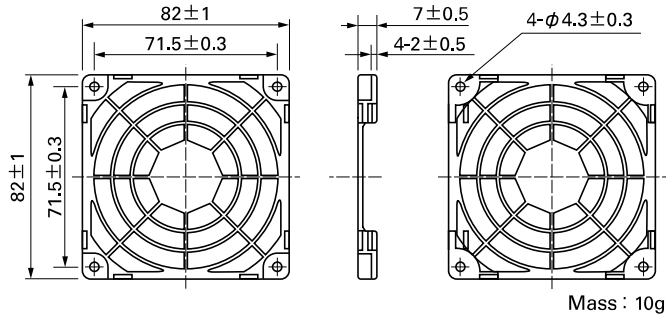
### Finger Guards

Model : 109-049C Surface treatment : Nickel-chrome plating (silver) Color : 109-049H

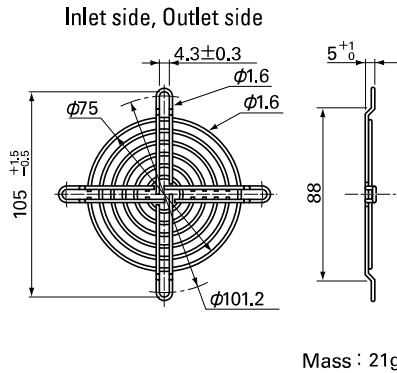


### Resin Finger Guards

Model : 109-1002G

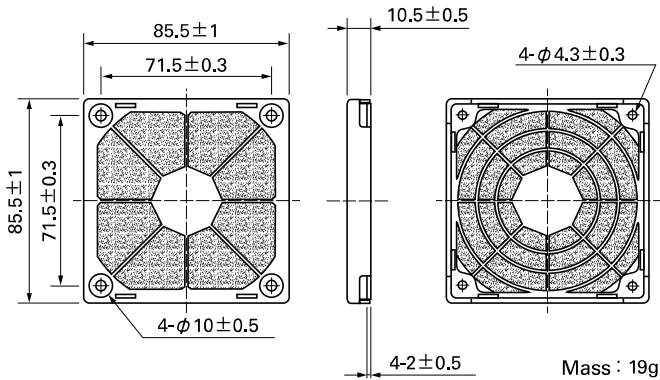


Model : 109-049E Surface treatment : Nickel-chrome plating (silver) Color : 109-049H Surface treatment : Cation electropainting (black)



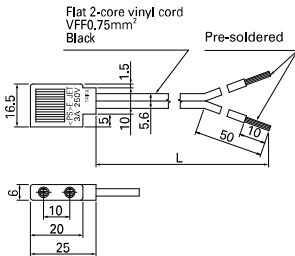
### Resin Filter Kits

Model : 109-1002F13 (13PPI), 109-1002F20 (20PPI), 109-1002F30 (30PPI), 109-1002F40 (40PPI)



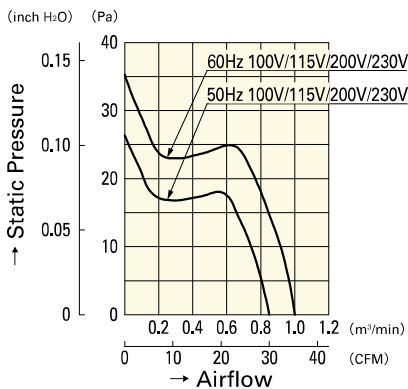
### Plug Cord

(Products compliant with Electrical Appliance and Material Safety Law) Model : 489-008-L10/489-008-L21/489-008-L35

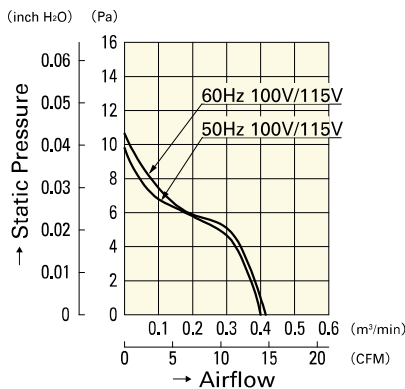


Model	Power cord length (L) [mm]	Mass [g]
489-008-L10	1,000	30
489-008-L21	2,100	61
489-008-L35	3,500	99

## Airflow - Static Pressure Characteristics



**109-040UL**  
**109-043UL**  
**109-041UL**  
**109-044UL**



**109-047UL**  
**109-033UL**