

120 mm sq.

San Ace 120



General Specifications

- Material Frame: Plastics (Flammability: UL94V-0),
Impeller: Plastics (Flammability: UL94V-1)
- Expected Life Refer to specifications (L10:Survival rate:90% at 60°C ,
rated voltage, and continuously run in a free air state)
- Lead Wire Inlet ⊕red ⊖black (Sensor) yellow (Control) brown
Outlet ⊕orange ⊖gray (Sensor) purple (Control) white
- Storage Temperature -30°C to +70°C (Non-condensing)

120×120×76mm (Mass : 670g) **9CR type**

Specifications

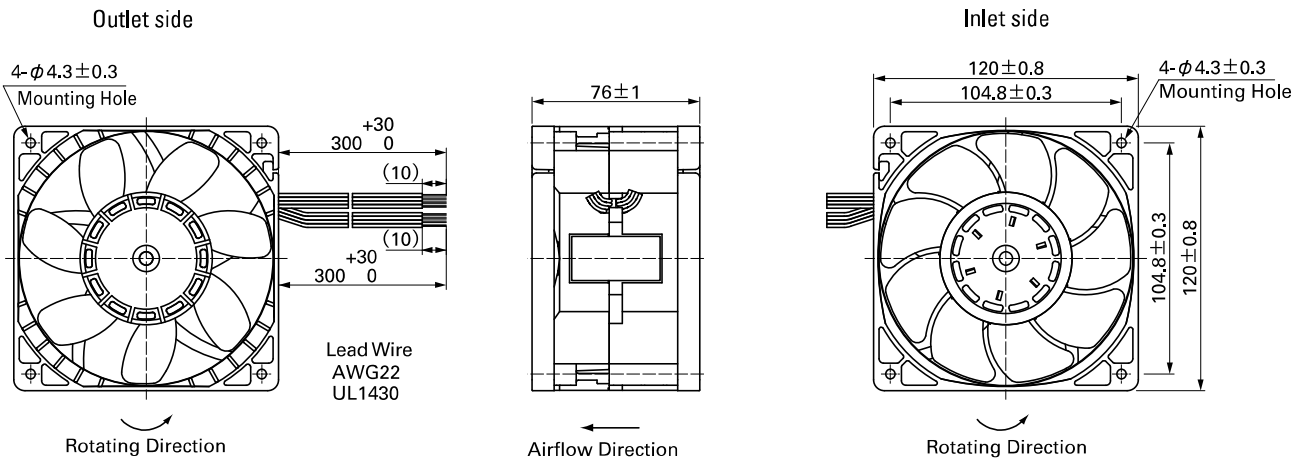
The following nos. **have PWM controls and pulse sensors.**

Model No.	Rated Voltage [V]	Operating Voltage Range [V]	PWM duty cycle* [%]	Rated Current [A]	Rated Input [W]	Rated Speed [min ⁻¹]		Max. Airflow [m ³ /min] [CFM]		Max. Static Pressure [Pa] [inchH ₂ O]		SPL [dB(A)]	Operating Temperature [°C]	Expected Life [h]
			100			Inlet	Outlet	8.5	300	480	1.93			
9CR1212P0G03	12	10.8 to 13.2	0	7.2	86.4	6,200	3,800	8.5	300	480	1.93	70	-20 to +60	40,000/60°C

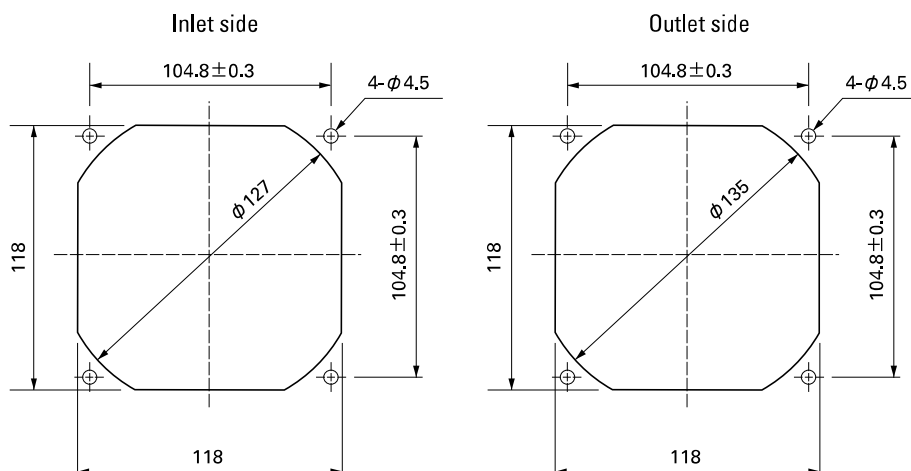
*PWM Frequency : 25kHz

Other sensor specifications are available as options. Please refer to the index (p. 501).

Dimensions (unit: mm)



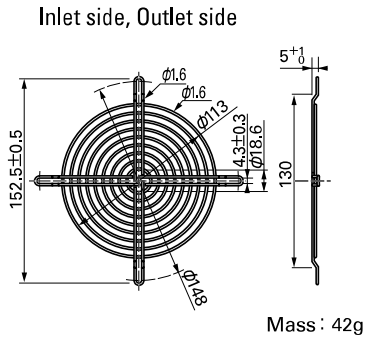
Reference Dimensions of Mounting Holes and Vent Opening (unit: mm)



Options (unit: mm)

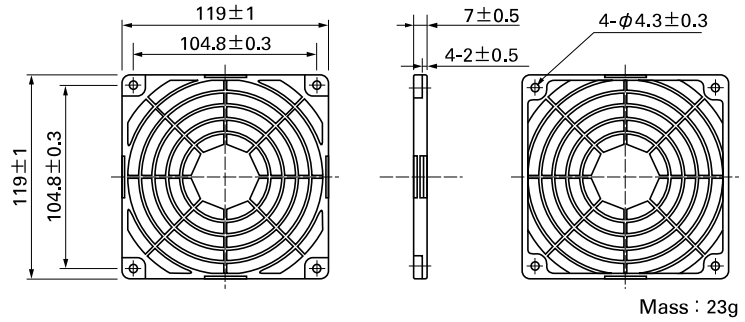
Finger Guards

Model : 109-019E Surface treatment : Nickel-chrome plating (silver) Color : 109-019K : Cation electropainting (black)



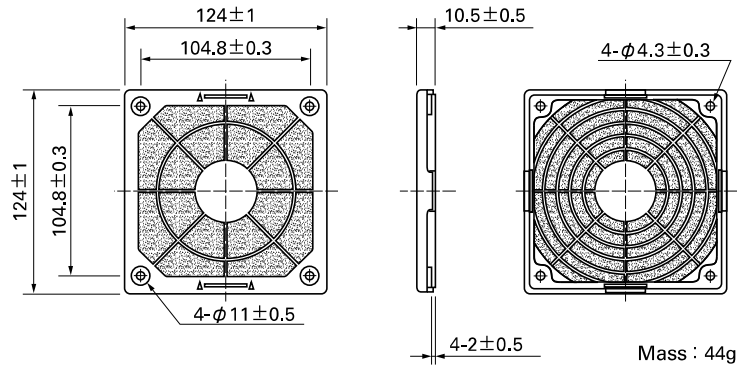
Resin Finger Guards

Model : 109-1000G



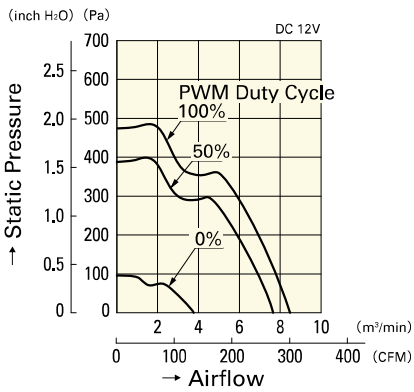
Resin Filter Kits

Model : 109-1000F13 (13PPI), 109-1000F20 (20PPI) : 109-1000F30 (30PPI), 109-1000F40 (40PPI)



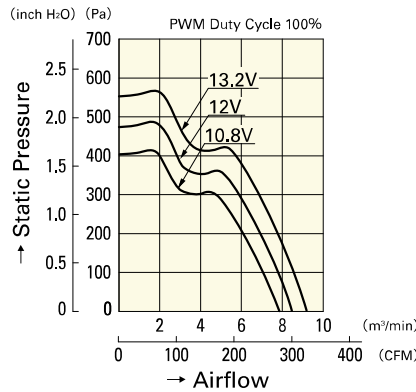
Airflow - Static Pressure Characteristics

PWM Duty Cycle



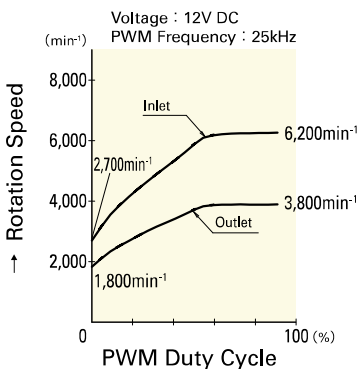
9CR1212P0G03

Operating Voltage Range



9CR1212P0G03

PWM Duty Speed Characteristics Example



9CR1212P0G03