

38 mm sq.

San Ace 38



General Specifications

- Material Frame: Plastics (Flammability: UL94V-0),
Impeller: Plastics (Flammability: UL94V-1)
- Expected Life Refer to specifications (L10:Survival rate:90% at 60°C ,
rated voltage, and continuously run in a free air state)
- Lead Wire Inlet ⊕ red ⊖ black (Sensor) yellow (Control) brown
Outlet ⊕ orange ⊖ gray (Sensor) purple (Control) white
- Storage Temperature -30°C to +70°C (Non-condensing)

38×38×48mm [Mass : 80g] **9CRA** type

Specifications

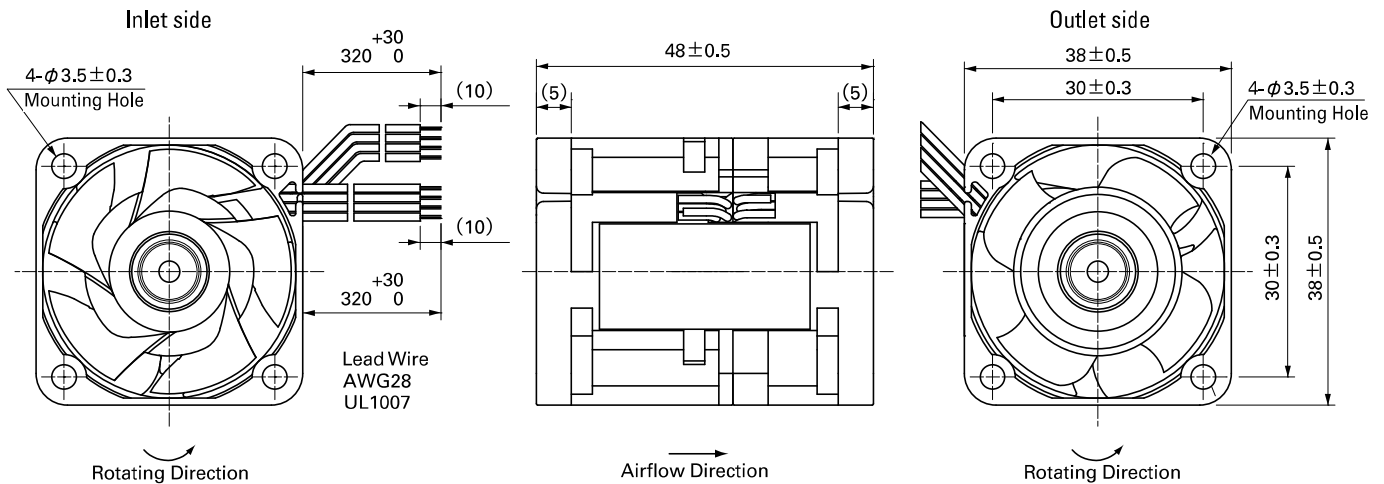
The following nos. **have PWM controls and pulse sensors.**

Model No.	Rated Voltage [V]	Operating Voltage Range [V]	PWM duty cycle* [%]	Rated Current [A]	Rated Input [W]	Rated Speed [min ⁻¹]		Max. Airflow [m ³ /min] [CFM]		Max. Static Pressure [Pa] [inchH ₂ O]		SPL [dB(A)]	Operating Temperature [°C]	Expected Life [h]
						Inlet	Outlet							
9CRA0312P4K03	12	10.8 to 13.2	100	1.5	18.0	17,600	14,520	0.77	27.2	700.0	2.81	64	-20 to +70	40,000/60°C
			0	0.2	2.4	5,280	4,200	0.22	7.8	54.9	0.22	33		
9CRA0312P4J03			100	1.1	13.2	16,000	13,200	0.7	24.7	560.0	2.25	62		
			0	0.18	2.2	4,800	3,960	0.21	7.4	50.4	0.20	31		

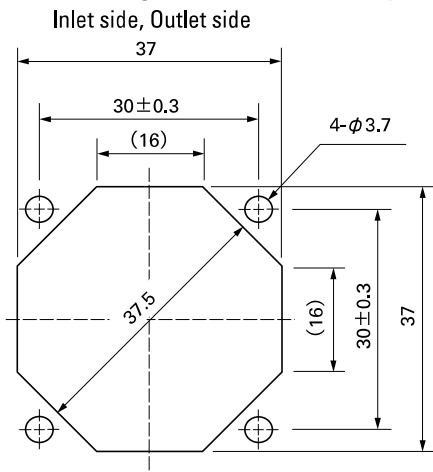
*PWM Frequency : 25kHz

Other sensor specifications are available as options. Please refer to the index (p. 501).

Dimensions (unit: mm)

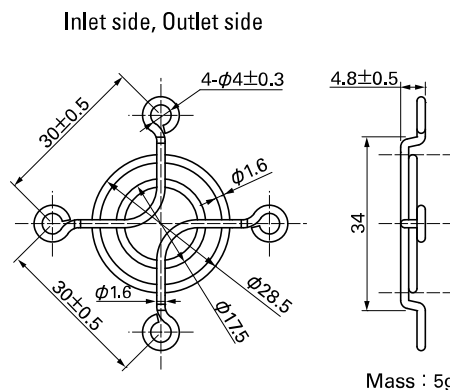


Reference Dimensions of Mounting Holes and Vent Opening (unit: mm)



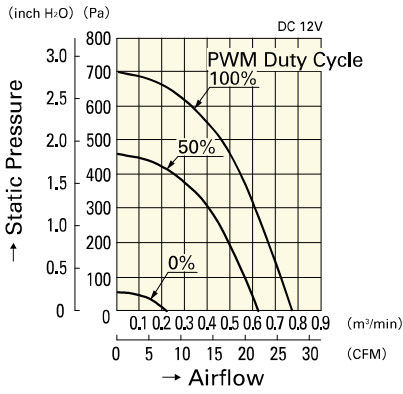
Options (unit: mm)

Finger Guards
Model : 109-1065 Surface treatment : Nickel-chrome plating (silver) Color

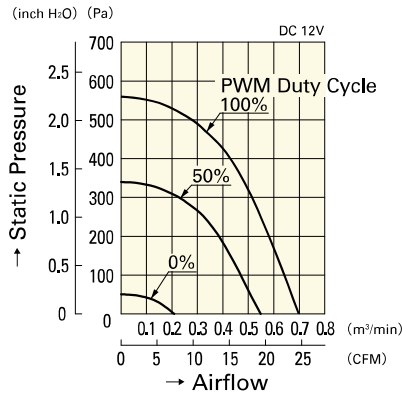


Airflow - Static Pressure Characteristics

PWM Duty Cycle

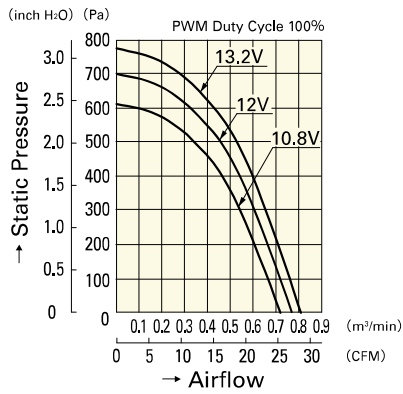


9CRA0312P4K03

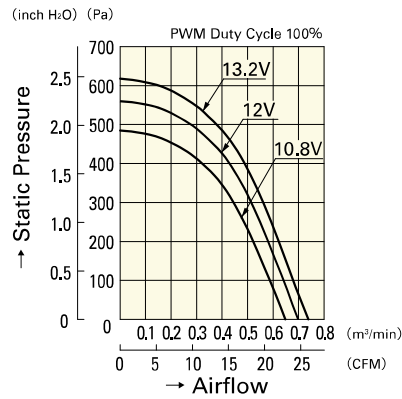


9CRA0312P4J03

Operating Voltage Range

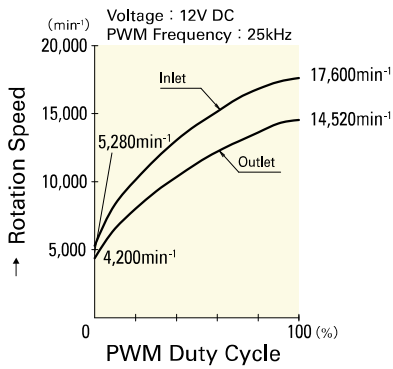


9CRA0312P4K03

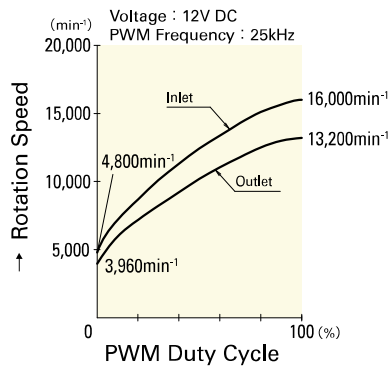


9CRA0312P4J03

PWM Duty - Speed Characteristics Example



9CRA0312P4K03



9CRA0312P4J03