

**40** mm sq.

# San Ace 40

48mm thick (CRA type), 56mm thick (CRB type)  
 56mm thick (CRF type), 56mm thick (CRD type)  
 56mm thick (CRE type), 56mm thick (CRA type)



## General Specifications

- Material ..... Frame: Plastics (Flammability: UL94V-0),  
 Impeller: Plastics (Flammability: UL94V-0)
- Expected Life ..... Refer to specifications (L10:Survival rate:90% at 60°C ,  
 rated voltage, and continuously run in a free air state)
- Lead Wire ..... Inlet ⊕red ⊖black (Sensor) yellow  
 Outlet ⊕orange ⊖gray (Sensor) purple
- Storage Temperature ..... -30°C to +70°C (Non-condensing)

**40×40×56**mm (Mass : 90g) **CRA type**

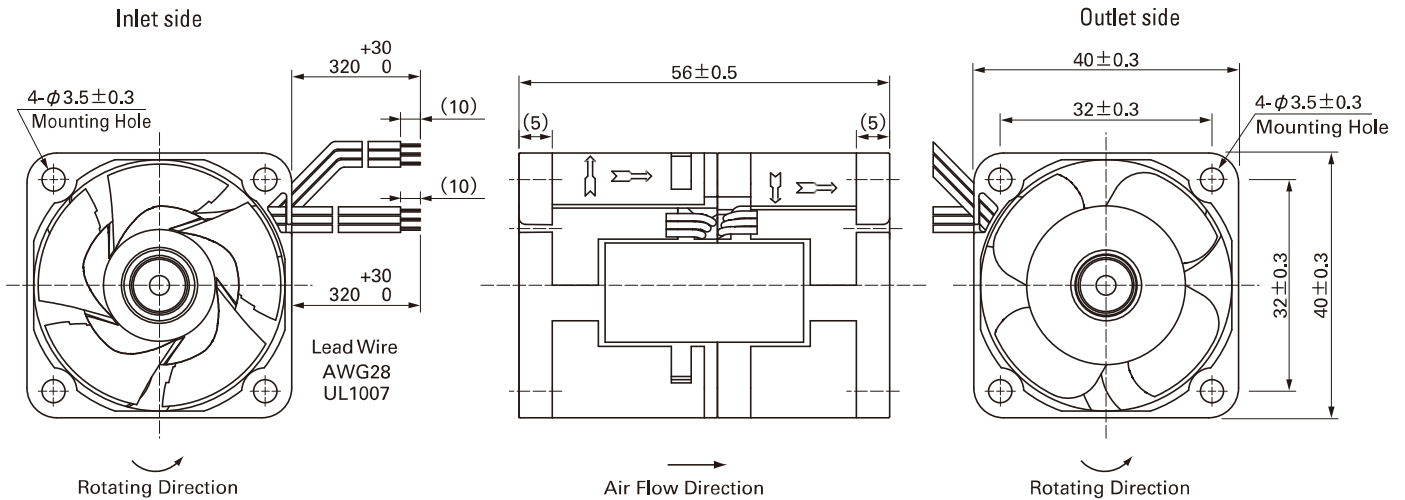
## Specifications

The following nos. **have pulse sensors.**

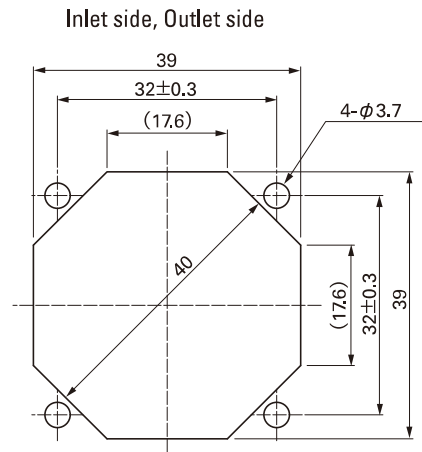
Model No.	Rated Voltage [V]	Operating Voltage Range [V]	Rated Current [A]	Rated Input [W]	Rated Speed [min <sup>-1</sup> ] Inlet    Outlet	Max. Air Flow [m <sup>3</sup> /min] [CFM]	Max. Static Pressure [Pa] [inchH <sub>2</sub> O]	SPL [dB(A)]	Operating Temperature [°C]	Expected Life [h]
9CRA0412K501	12	10.8 to 12.6	1.8	21.6	17,000 13,000	0.95 33.5	650 2.61	65	-20 to +60	40,000
9CRA0412J501		10.8 to 13.2	1.4	16.8	15,800 12,200	0.90 31.8	570 2.29	62	-20 to +70	
9CRA0412G501		1.0	12.0	14,000 10,400	0.77 27.2	435 1.75	59			

- Available options: ⇒ **Without Sensor**
- Please inquire as the availability of these functions depend on the model. ⇒ **Lock Sensor** **PWM Control**

## Dimensions (Unit : mm)



## Reference dimension of mounting holes and vent opening (Unit : mm)

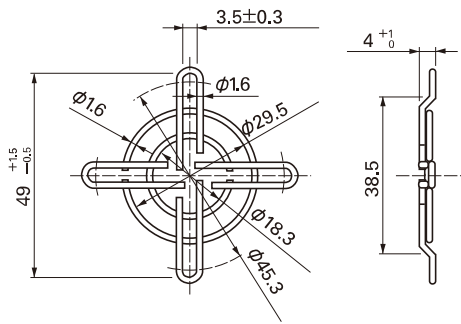


## Options (Unit : mm)

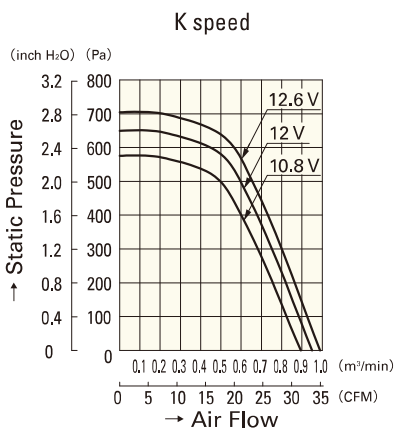
### Finger guards

Model : 109-059 Color  
Surface treatment : Nickel-chrome plating (silver)

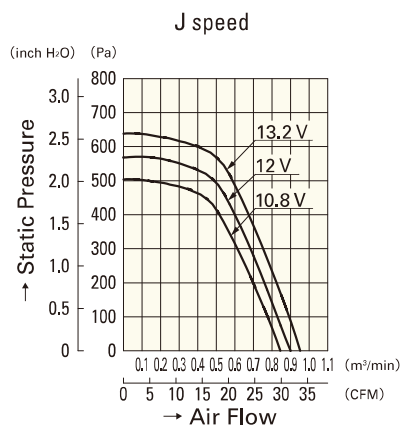
Inlet side, Outlet side



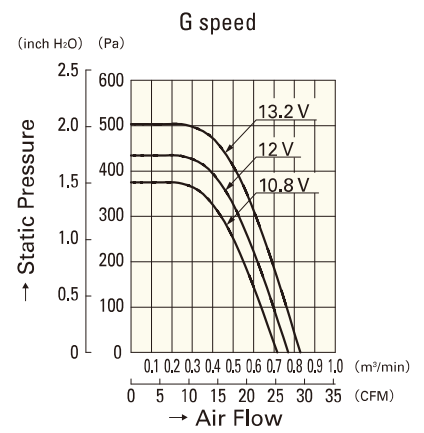
## Air Flow - Static Pressure Characteristics



**9CRA0412K501**



**9CRA0412J501**



**9CRA0412G501**