

40 mm sq.

San Ace 40



General Specifications

- Material Frame: Aluminum, Impeller: Plastics (Flammability: UL94V-0)
- Expected Life Refer to specifications (L10:Survival rate:90% at 60°C , rated voltage, and continuously run in a free air state)
- Lead Wire Inlet ⊕ red ⊖ black (Sensor) yellow (Control) brown
Outlet ⊕ orange ⊖ gray (Sensor) purple (Control) white
- Storage Temperature -30°C to +70°C (Non-condensing)

40×40×56mm [Mass : 110g] **9CRE type** **Low vibration**

Specifications

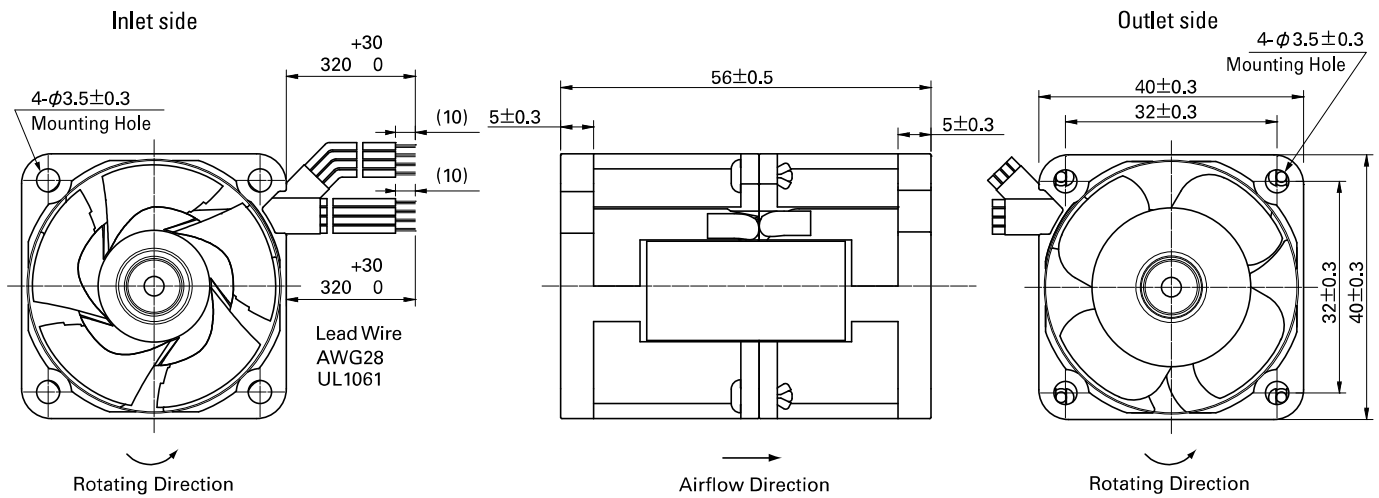
The following nos. **have PWM controls and pulse sensors.**

Model No.	Rated Voltage [V]	Operating Voltage Range [V]	PWM duty cycle* [%]	Rated Current [A]	Rated Input [W]	Rated Speed [min ⁻¹]		Max. Airflow [m ³ /min] [CFM]		Max. Static Pressure [Pa] [inchH ₂ O]		SPL [dB(A)]	Operating Temperature [°C]	Expected Life [h]
						Inlet	Outlet							
9CRE0412P5J03	12	10.8 to 13.2	100	1.4	16.8	15,800	12,200	0.90	31.8	570.0	2.290	62	-20 to +70	40,000/60°C
			0	0.1	1.2	2,850	2,250	0.12	4.2	13.7	0.055	20.5		

*PWM Frequency : 25kHz

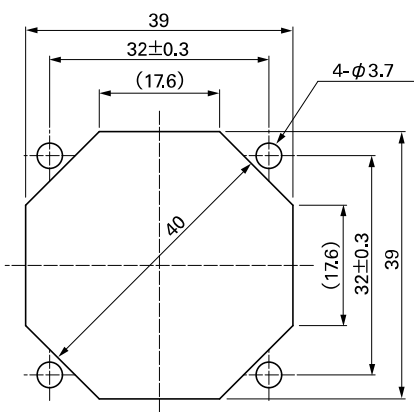
Other sensor specifications are available as options. Please refer to the index (p. 501).

Dimensions (unit: mm)



Reference Dimensions of Mounting Holes and Vent Opening (unit: mm)

Inlet side, Outlet side



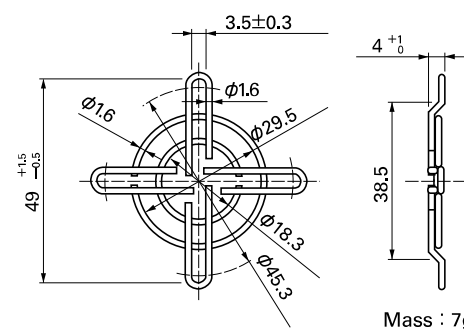
Options (unit: mm)

Finger Guards

Model : 109-059 Surface treatment : Nickel-chrome plating (silver)
 : 109-059H : Cation electropainting (black)

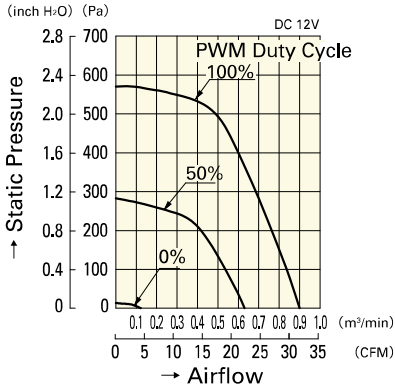
Color

Inlet side, Outlet side



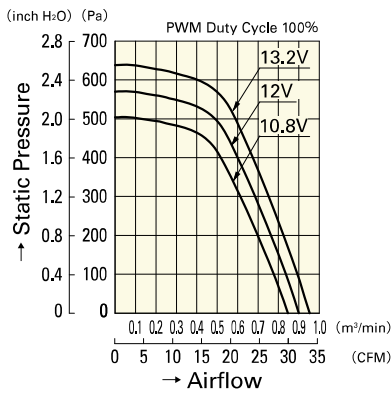
Airflow - Static Pressure Characteristics

PWM Duty Cycle



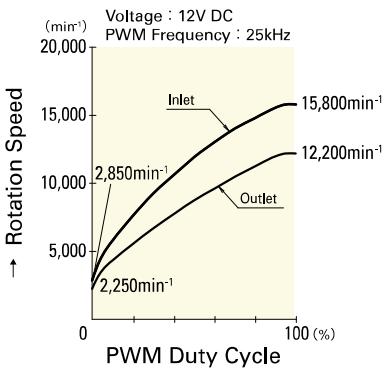
9CRE0412P5J03

Operating Voltage Range



9CRE0412P5J03

PWM Duty - Speed Characteristics Example



9CRE0412P5J03