

60 mm sq.

San Ace 60



General Specifications

- Material Frame: Plastics (Flammability: UL94V-0),
Impeller: Plastics (Flammability: UL94V-1)
- Expected Life Refer to specifications (L10:Survival rate:90% at 60°C ,
rated voltage, and continuously run in a free air state)
- Lead Wire Inlet ⊕ red ⊖ black (Sensor) yellow (Control) brown
Outlet ⊕ orange ⊖ gray (Sensor) purple (Control) white
- Storage Temperature -30°C to +70°C (Non-condensing)

60×60×56mm [Mass : 200g] **9CRA type**

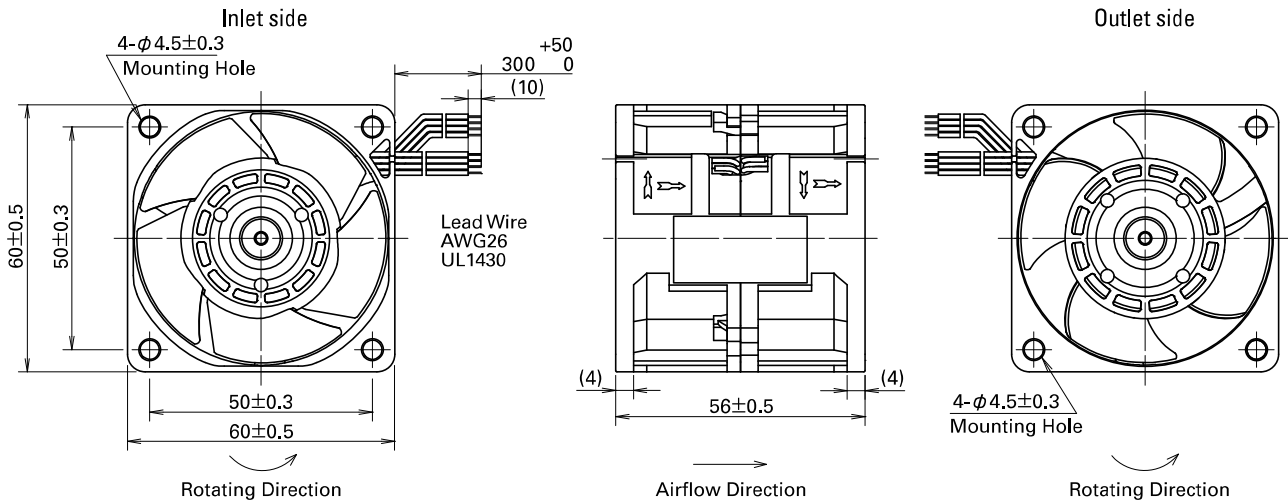
Specifications

The following nos. **have PWM controls and pulse sensors.**

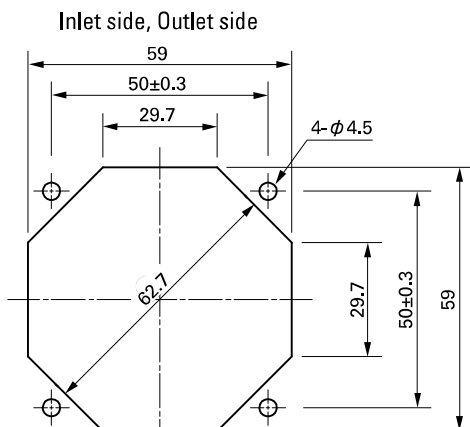
Model No.	Rated Voltage [V]	Operating Voltage Range [V]	PWM duty cycle* [%]	Rated Current [A]	Rated Input [W]	Rated Speed [min ⁻¹]		Max. Airflow [m ³ /min] [CFM]		Max. Static Pressure [Pa] [inchH ₂ O]		SPL [dB(A)]	Operating Temperature [°C]	Expected Life [h]
						Inlet	Outlet							
9CRA0612P6K001	12	10.8 to 13.2	100	3.10	37.2	18,300	15,800	2.28	80.5	1,130	4.54	73	-20 to +70	30,000/60°C
			0	0.17	2.0	3,800	3,300	0.47	16.6	49	0.20	35		
9CRA0612P6J001			100	2.30	27.6	16,800	14,500	2.10	74.2	950	3.82	70		40,000/60°C (70,000/40°C)
			0	0.15	1.8	3,800	3,300	0.47	16.6	49	0.20	35		
9CRA0612P6G001	12	10.8 to 13.2	100	1.30	15.6	13,500	11,400	1.65	58.3	620	2.49	65	-20 to +70	40,000/60°C (70,000/40°C)
			0	0.10	1.2	3,000	2,500	0.36	12.7	31	0.12	29		

*PWM Frequency : 25kHz

Dimensions (unit: mm)



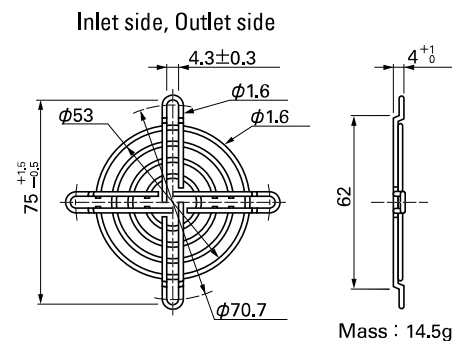
Reference Dimensions of Mounting Holes and Vent Opening (unit: mm)



Options (unit: mm)

Finger Guards

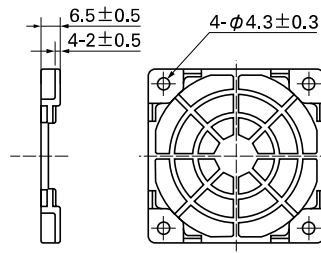
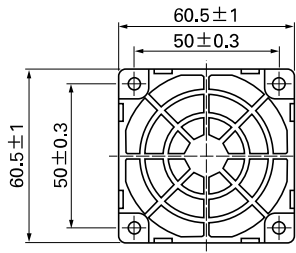
Model : 109-139E Surface treatment : Nickel-chrome plating (silver)
: 109-139H : Cation electropainting (black)



Options (unit: mm)

Resin Finger Guards

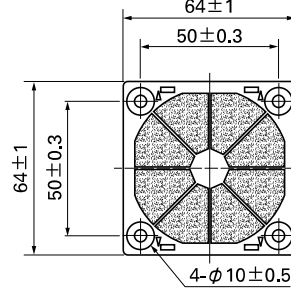
Model : 109-1003G



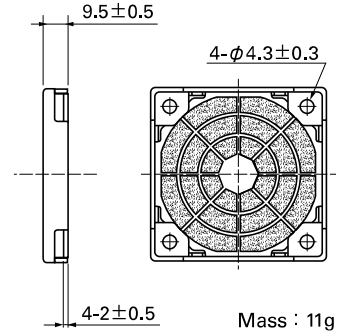
Mass : 7g

Resin Filter Kits

Model : 109-1003F13 (13PPI), 109-1003F20 (20PPI)
: 109-1003F30 (30PPI), 109-1003F40 (40PPI)



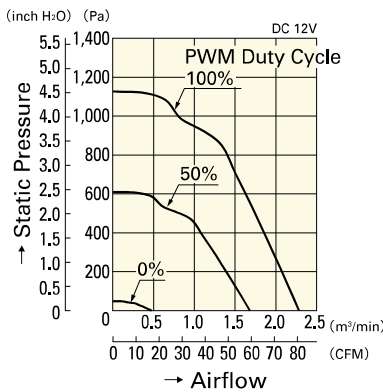
Mass : 7g



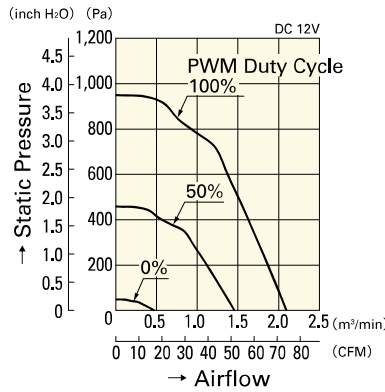
Mass : 11g

Airflow - Static Pressure Characteristics

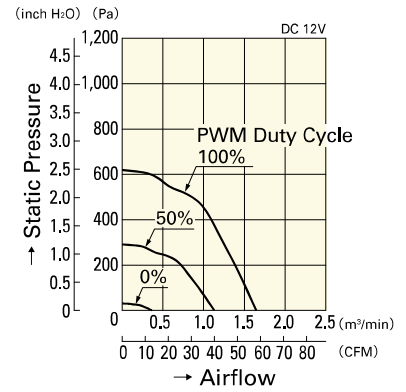
PWM Duty Cycle



9CRA0612P6K001

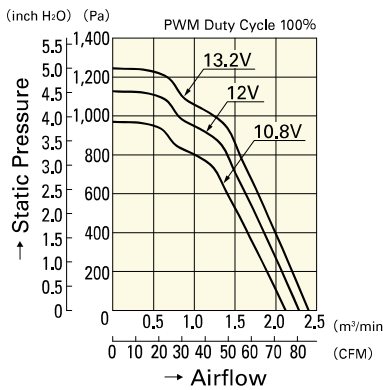


9CRA0612P6J001

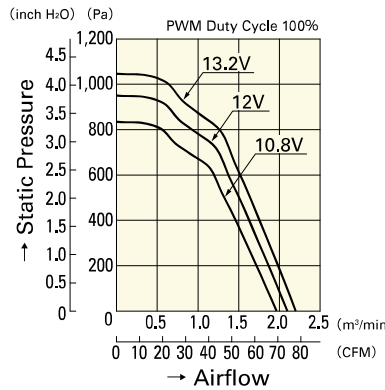


9CRA0612P6G001

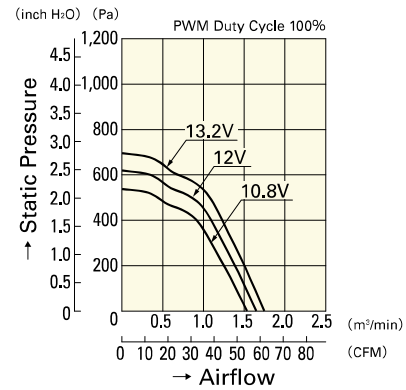
Operating Voltage Range



9CRA0612P6K001

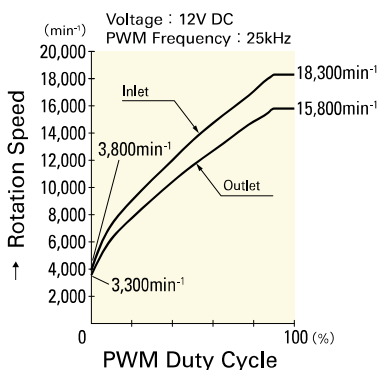


9CRA0612P6J001

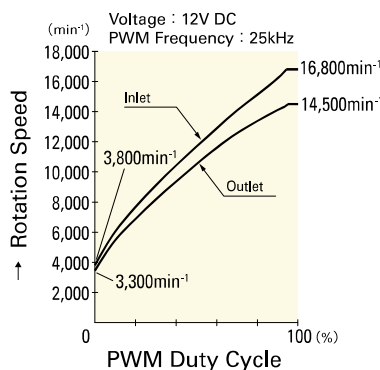


9CRA0612P6G001

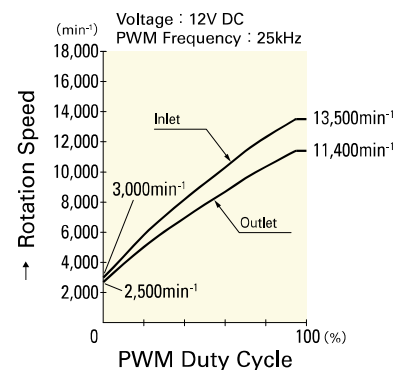
PWM Duty - Speed Characteristics Example



9CRA0612P6K001



9CRA0612P6J001



9CRA0612P6G001