

60_{mm sq.}

San Ace 60



General Specifications

- Material Frame: Plastics (Flammability: UL94V-0),
Impeller: Plastics (Flammability: UL94V-0)
- Expected Life Refer to specifications (L10:Survival rate:90% at 60°C ,
rated voltage, and continuously run in a free air state)
- Lead Wire Inlet ⊕ red ⊖ black (Sensor) yellow (Control) brown
Outlet ⊕ orange ⊖ gray (Sensor) purple (Control) white
- Storage Temperature -30°C to +70°C (Non-condensing)

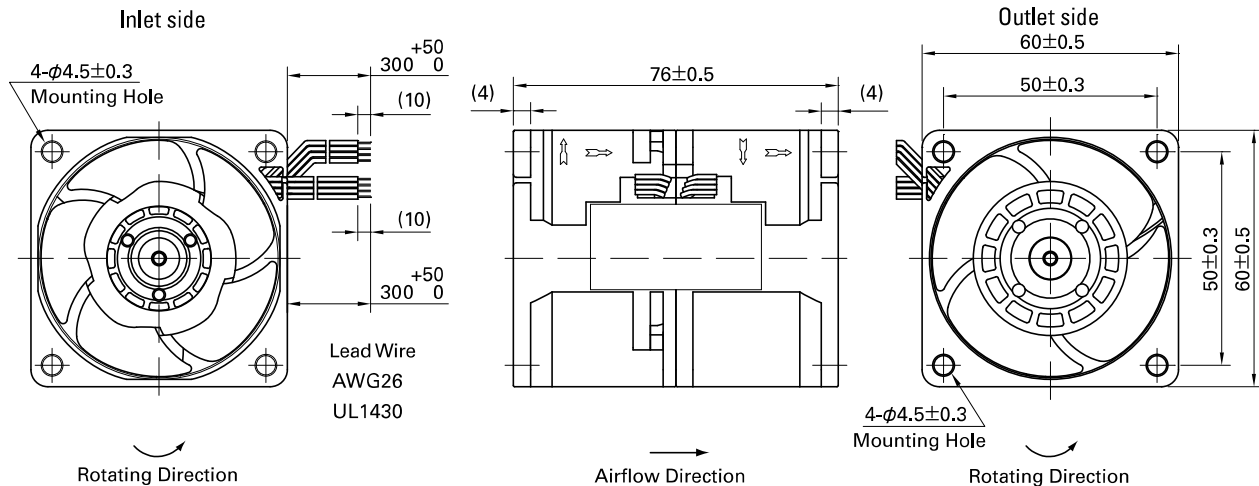
60×60×76mm (Mass : 270g) 9CRA type

Specifications The following nos. have PWM controls and pulse sensors.

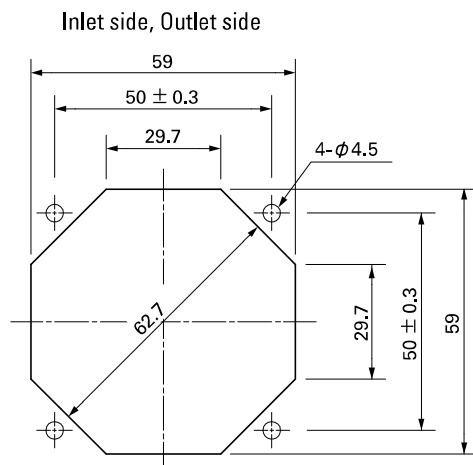
Model No.	Rated Voltage [V]	Operating Voltage Range [V]	PWM duty cycle* [%]	Rated Current [A]	Rated Input [W]	Rated Speed [min ⁻¹]		Max. Airflow [m ³ /min] [CFM]		Max. Static Pressure [Pa] [inchH ₂ O]		SPL [dB(A)]	Operating Temperature [°C]	Expected Life [h]
						Inlet	Outlet							
9CRA0612P0G001	12	10.8 to 13.2	100	2.3	27.6	16,500	13,000	2.0	70.6	1,000	4.0	66	-20 to +70	40,000/60°C (70,000/40°C)
			0	0.22	2.7	3,600	2,800	0.43	15.1	47.6	0.19	32		
9CRA0612P0S001			100	1.5	18.0	14,000	11,000	1.7	60.0	720	2.89	63		
			0	0.17	2.1	3,200	2,500	0.38	13.4	37.6	0.15	29		

*PWM Frequency : 25kHz

Dimensions (unit: mm)



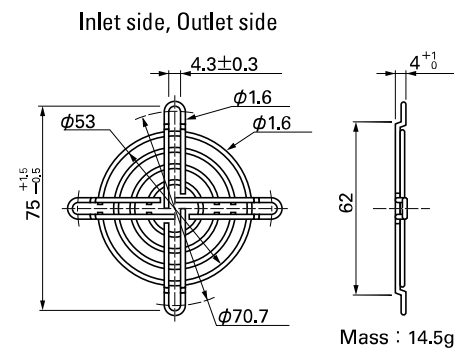
Reference Dimensions of Mounting Holes and Vent Opening (unit: mm)



Options (unit: mm)

Finger Guards

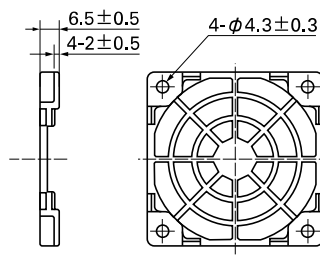
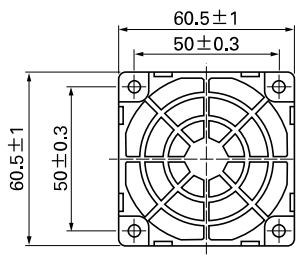
Model : 109-139E Surface treatment : Nickel-chrome plating (silver)
: 109-139H : Cation electropainting (black)



Options (unit: mm)

Resin Finger Guards

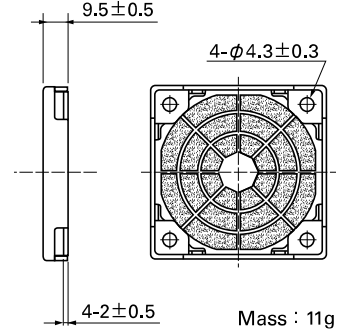
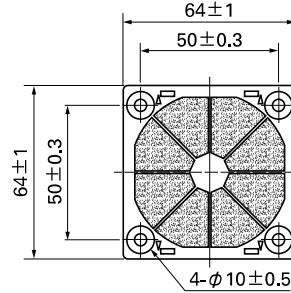
Model : 109-1003G



Mass : 7g

Resin Filter Kits

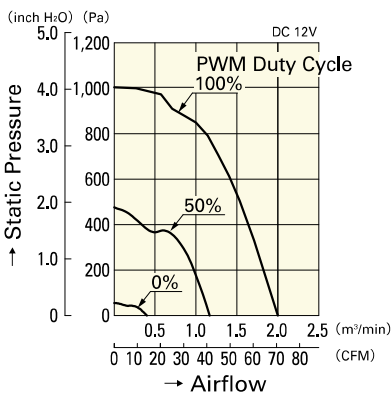
Model : 109-1003F13 (13PPI), 109-1003F20 (20PPI)
: 109-1003F30 (30PPI), 109-1003F40 (40PPI)



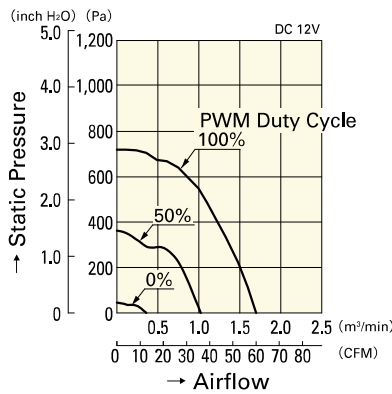
Mass : 11g

Airflow - Static Pressure Characteristics

PWM Duty Cycle

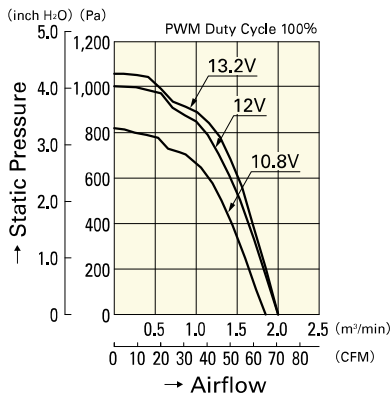


9CRA0612P0G001

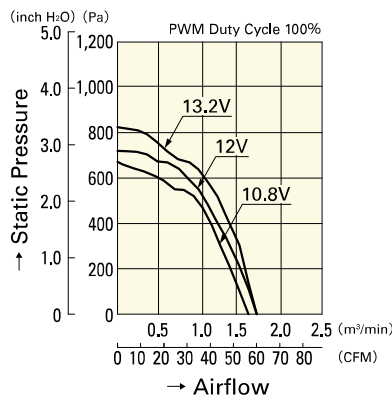


9CRA0612P0S001

Operating Voltage Range

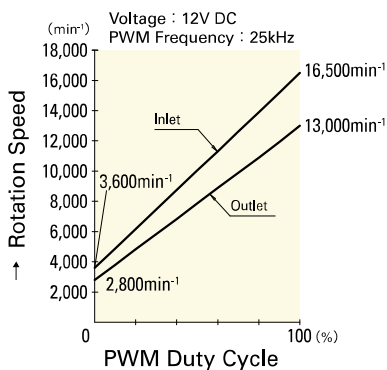


9CRA0612P0G001

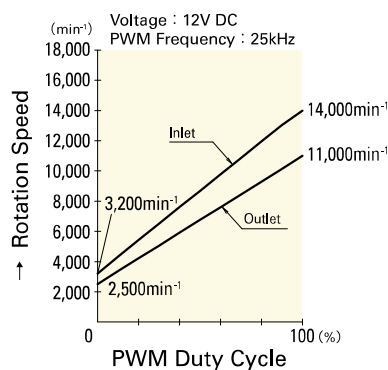


9CRA0612P0S001

PWM Duty - Speed Characteristics Example



9CRA0612P0G001



9CRA0612P0S001