

**φ136mm**

# San Ace 136RF



## General Specifications

- Material: Frame, Impeller: Plastics (Flammability: UL94V-0)
- Expected Life: Refer to specifications (L10: Survival rate: 90% at 60°C, rated voltage, and continuously run in a free air state)
- Lead Wire: ⊕red ⊖black (Sensor) yellow (Control) brown
- Storage Temperature: -30°C to +70°C (Non-condensing)

**φ136mm×28mm** (Mass : 220g) **9RF type**

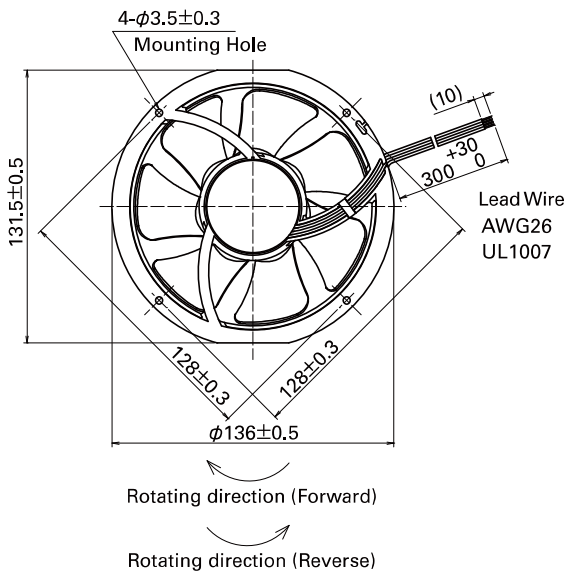
## Specifications

The following nos. have PWM controls and pulse sensors.

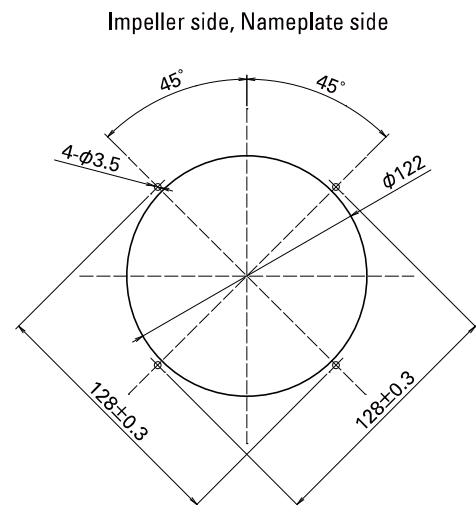
Model No.	Airflow direction	Rated Voltage [V]	Operating Voltage Range [V]	PWM duty cycle* [%]	Rated Current [A]	Rated Input [W]	Rated Speed [min <sup>-1</sup> ]	Max. Airflow [m <sup>3</sup> /min] [CFM]	Max. Static Pressure [Pa] [inchH <sub>2</sub> O]	SPL [dB(A)]	Operating Temperature [°C]	Expected Life [h]
9RF1312P3H001	Forward	12	10.2 to 13.8	100	0.15	1.8	3,100	2.00	70.7	102	0.410	35
	Reverse			0				2.00				
9RF1324P3H001	Forward	24	20.4 to 27.6	100	0.09	2.2	3,100	2.00	70.7	102	0.410	35
	Reverse			0				2.00				

\*PWM Frequency : 25kHz

## Dimensions (unit: mm)



## Reference Dimensions of Mounting Holes and Vent Opening (unit: mm)

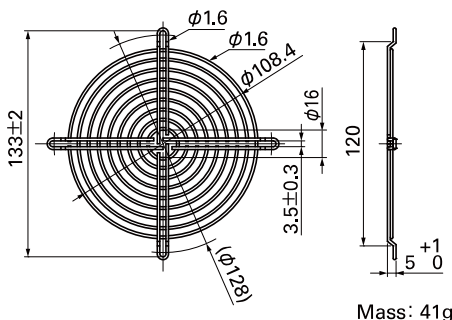


## Options (unit: mm)

### Finger Guards

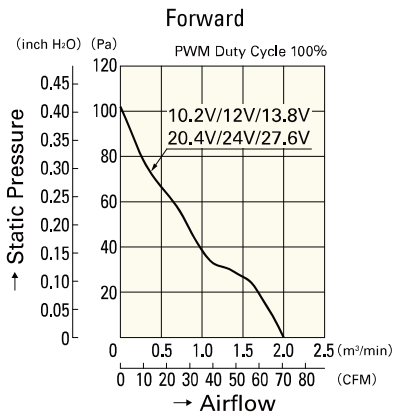
Model : 109-1139 Surface treatment : Nickel-chrome plating (silver) Color

Impeller side, Nameplate side



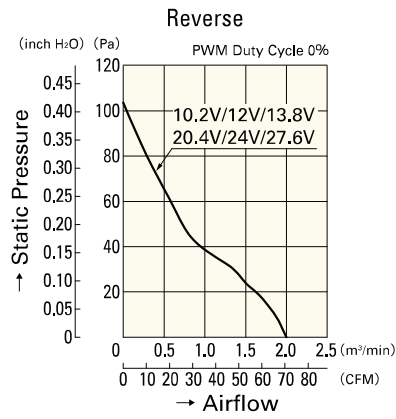
## Airflow - Static Pressure Characteristics

### Operating Voltage Range



**9RF1312P3H001**

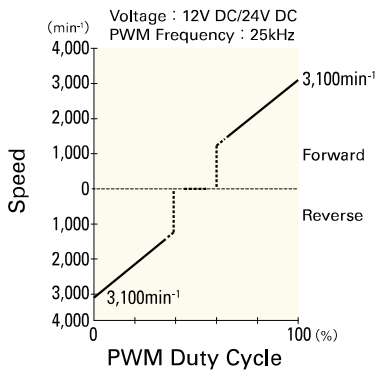
**9RF1324P3H001**



**9RF1312P3H001**

**9RF1324P3H001**

## PWM Duty - Speed Characteristics Example



**9RF1312P3H001**

**9RF1324P3H001**