

**φ172mm**

# San Ace 172



## General Specifications

- Material ..... Frame: Aluminum, Impeller: Plastics (Flammability: UL94V-1)
- Expected Life ..... Refer to specifications (L10:Survival rate:90% at 60°C ,  
rated voltage, and continuously run in a free air state)
- Lead Wire ..... ⊕red ⊖black (Sensor) yellow
- Storage Temperature ..... -30°C to +70°C (Non-condensing)

**φ172mm × 150mm × 51mm** [Mass : 800g]

**9GV type | Sidecut type**



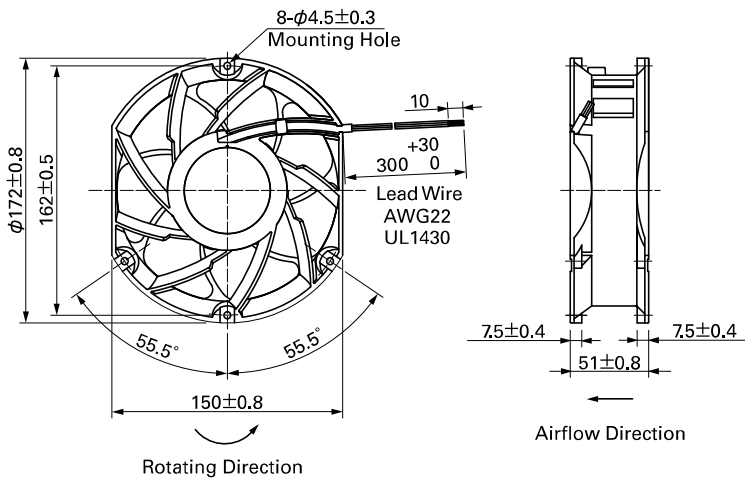
## Specifications

The following nos. **have pulse sensors.**

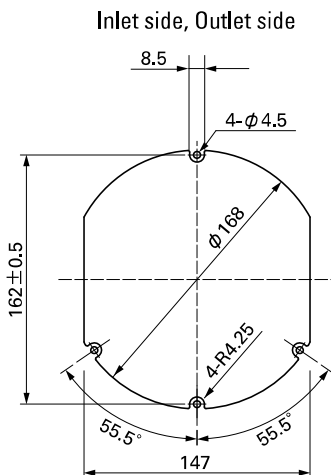
Model No.	Rated Voltage [V]	Operating Voltage Range [V]	Rated Current [A]	Rated Input [W]	Rated Speed [min <sup>-1</sup> ]	Max. Airflow [m <sup>3</sup> /min] [CFM]	Max. Static Pressure [Pa] [inchH <sub>2</sub> O]	SPL [dB(A)]	Operating Temperature [°C]	Expected Life [h]
<b>9GV5724H501</b>	24	20.4 to 27.6	4.0	96	6,300	11.32 400	690 2,77	74	- 20 to +70	40,000/60°C
<b>9GV5748H501</b>	48	40.8 to 55.2	2.0	96						

Other sensor specifications are available as options. Please refer to the index (p. 508).

## Dimensions (unit: mm)



## Reference Dimensions of Mounting Holes and Vent Opening (unit: mm)



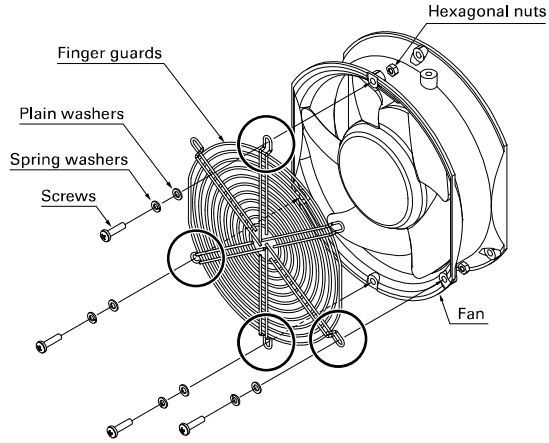
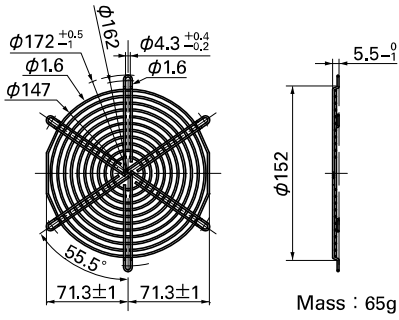
**Options (unit: mm)**

**Finger Guards**

Model : 109-319J Color : Nickel-chrome plating (silver)  
Surface treatment : Nickel-chrome plating (silver)

Finger guard 109-319J should be mounted with four holes as in the drawing.

Inlet side, Outlet side



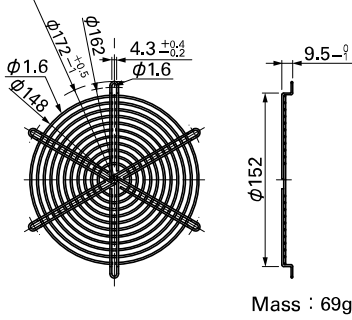
**Finger Guards**

Model : 109-319E Color : Nickel-chrome plating (silver)  
Surface treatment : Nickel-chrome plating (silver)  
: 109-319H : Cation electropainting (black)

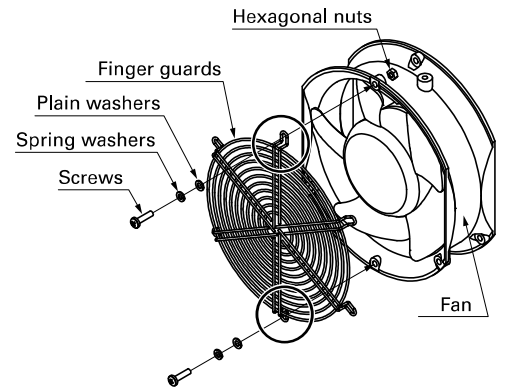
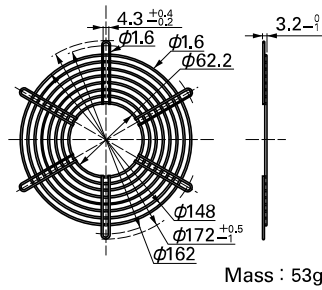
Model : 109-320 Color : Nickel-chrome plating (silver)  
Surface treatment : Nickel-chrome plating (silver)

Finger guards 109-319E, 109-319H, and 109-320 should be mounted with two holes as in the drawing and do not use any other holes.

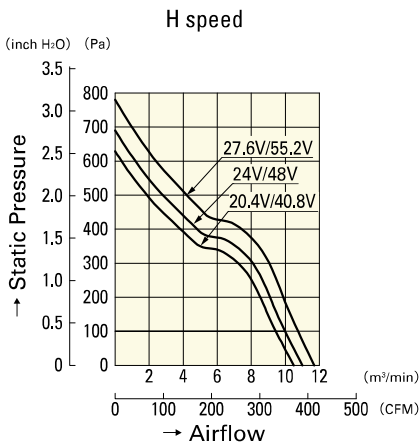
Inlet side, Outlet side



Outlet side



**Airflow - Static Pressure Characteristics**



**9GV5724H501**

**9GV5748H501**